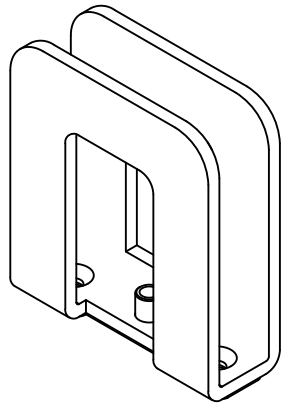
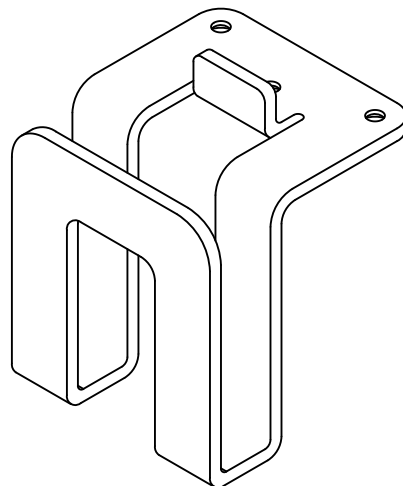
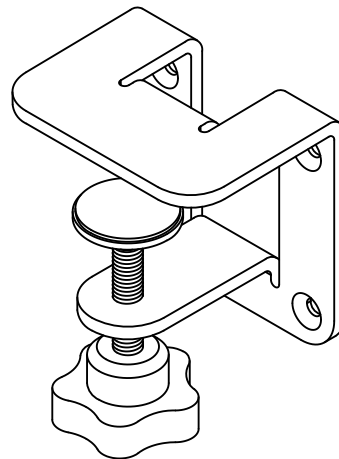
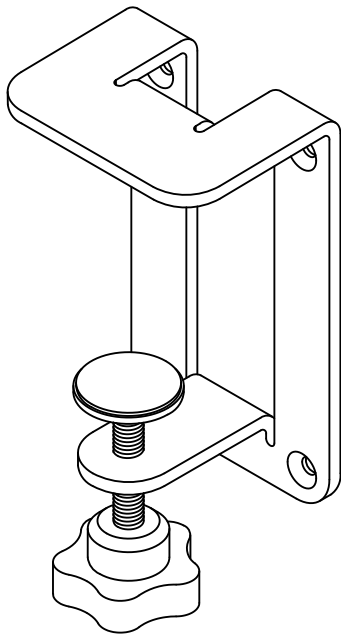
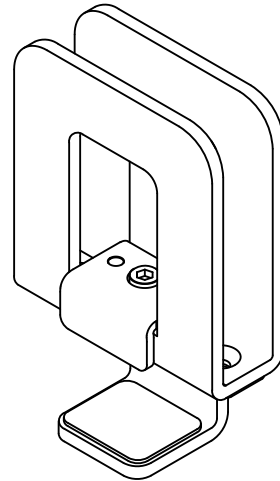


Versi Assembly Guide

Top Mount



Top Mount with Bracket



SMB Components 2

SMB Installation 3-4

Glass Sleeve to SMB Installation 5

SMBC Components 7

SMBC Installation 8-10

Glass Sleeve to SMBC Installation 11

CMB Components 13

CMB Installation 14-15

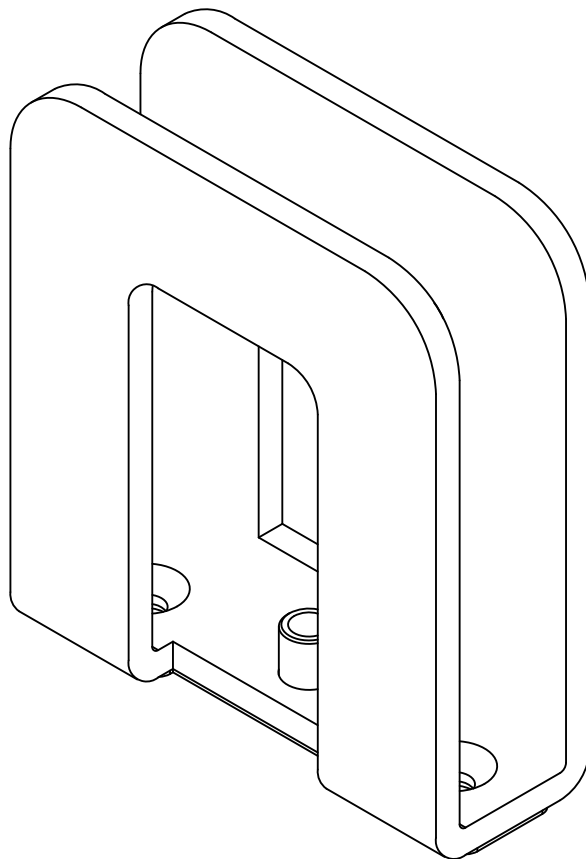
CMED Components 17

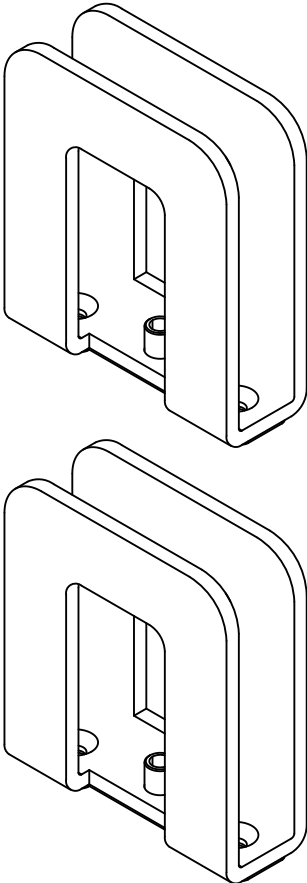
CMED Installation 18-19

SMB Components 21

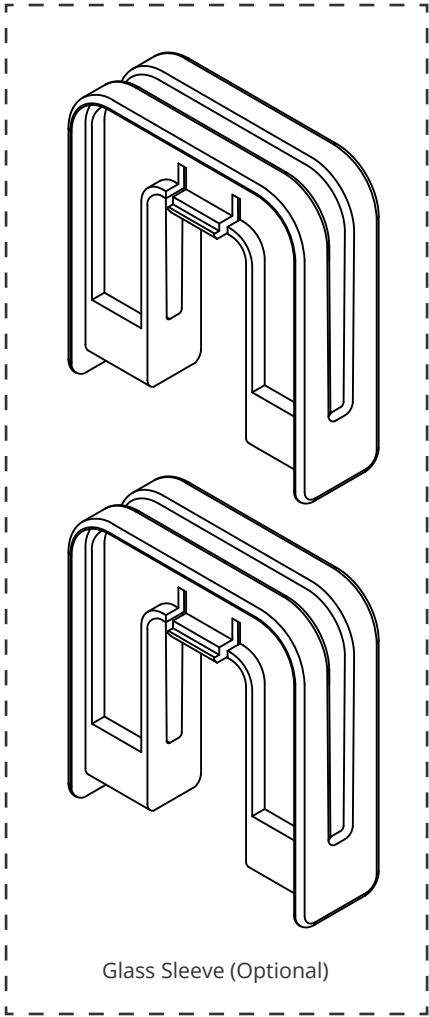
SMB Installation 22-23

Surface Mount Bracket (SMB)

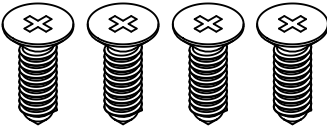




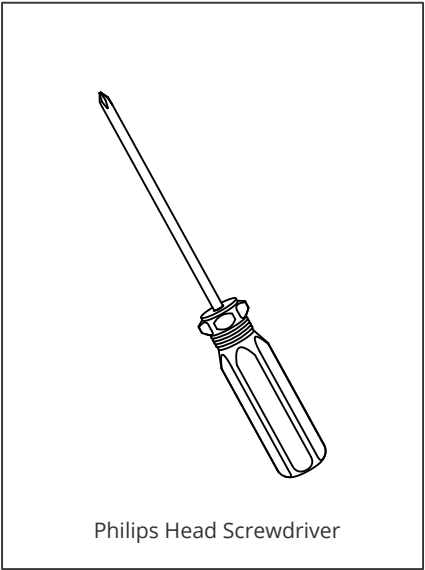
Surface Mount Bracket



Glass Sleeve (Optional)

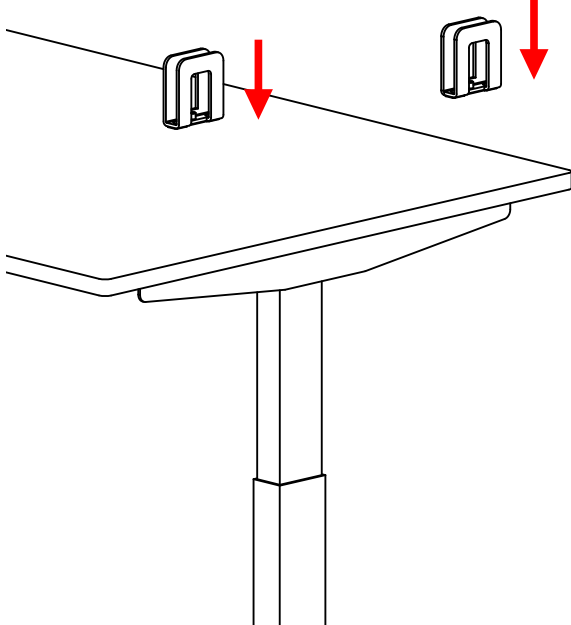


Tapping Screw

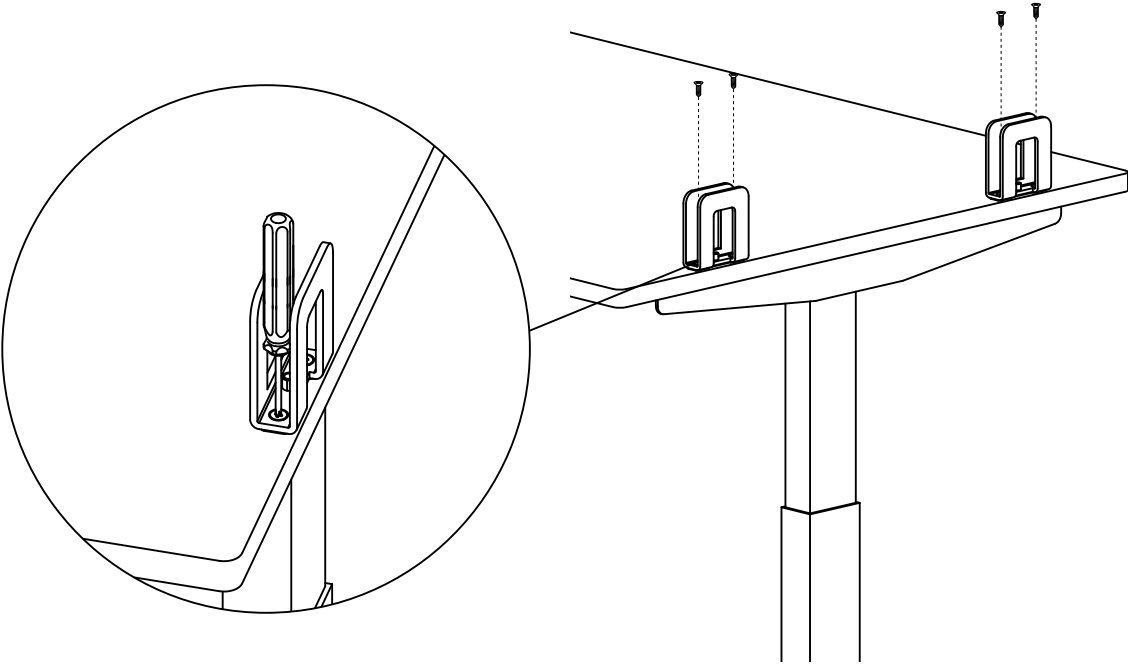


Philips Head Screwdriver

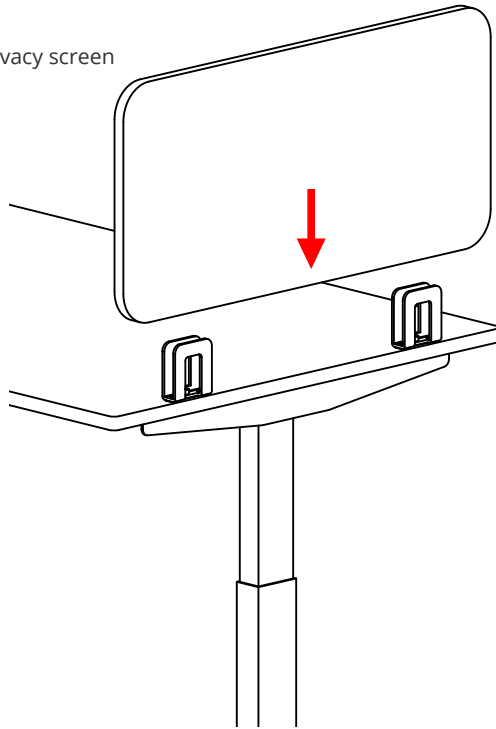
Step 1: Position SMB 25% from each end and to edge of worksurface.



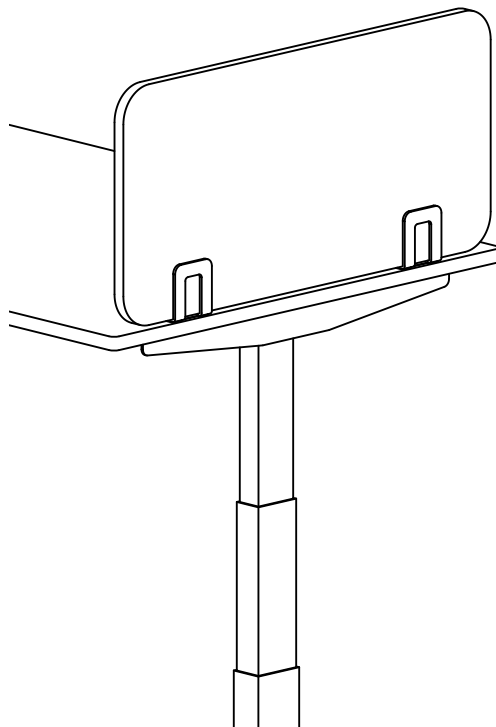
Step 2: Fasten SMB to worksurface with Tapping Screw using screwdriver.



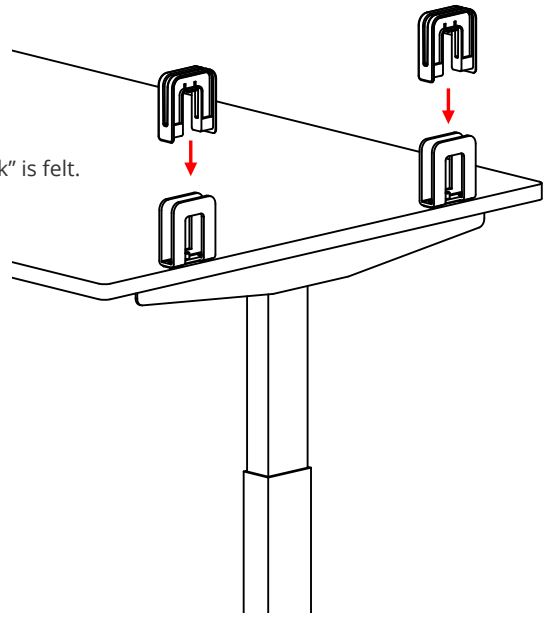
Step 3: Slot in 18mm PET privacy screen



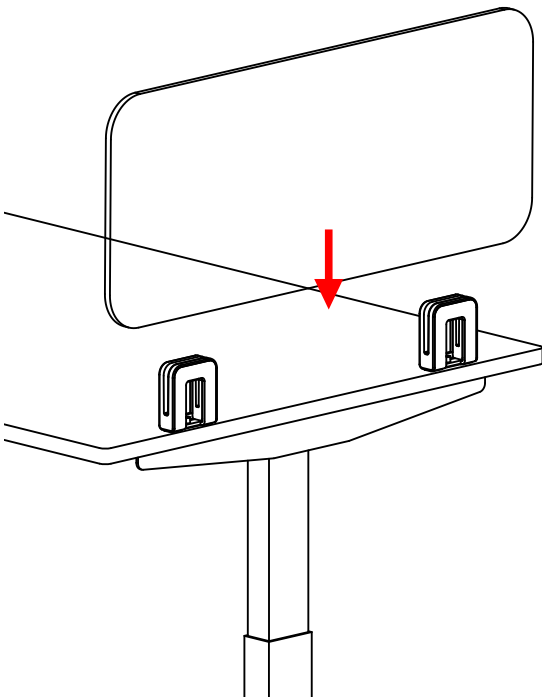
Step 4: Complete



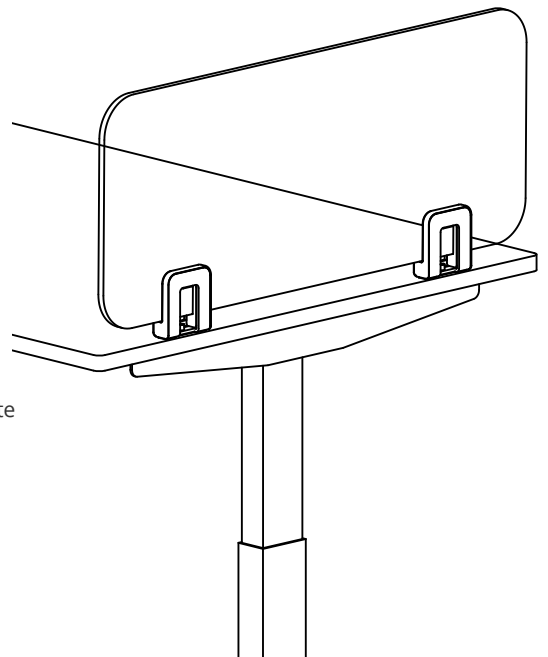
Step 5: Slot in Glass Sleeve until a "click" is felt.



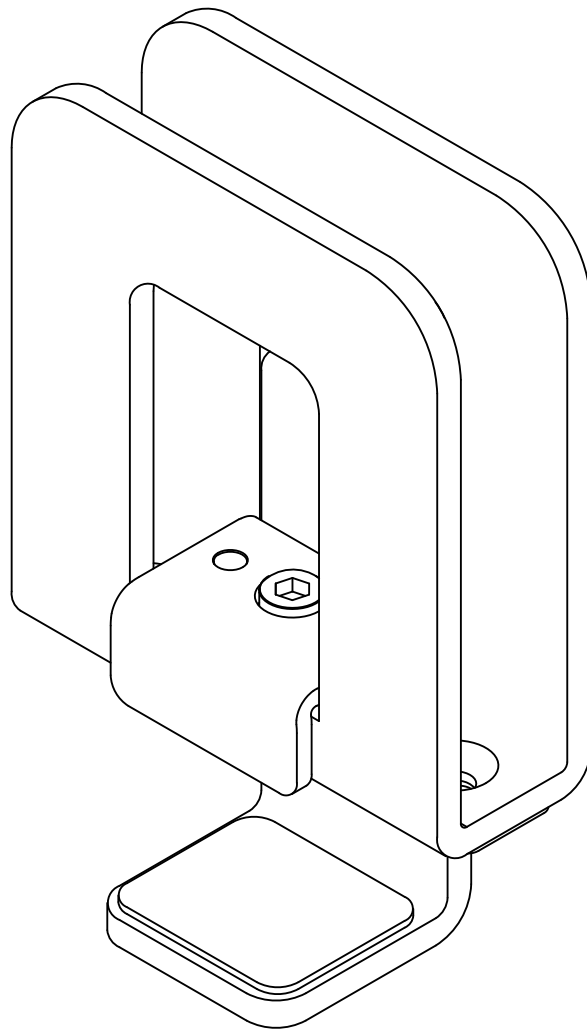
Step 6: Slot in 6mm glass panel

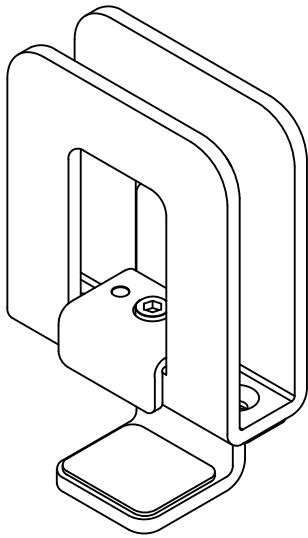
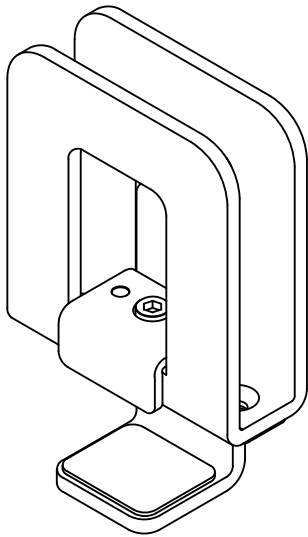


Step 7: Complete

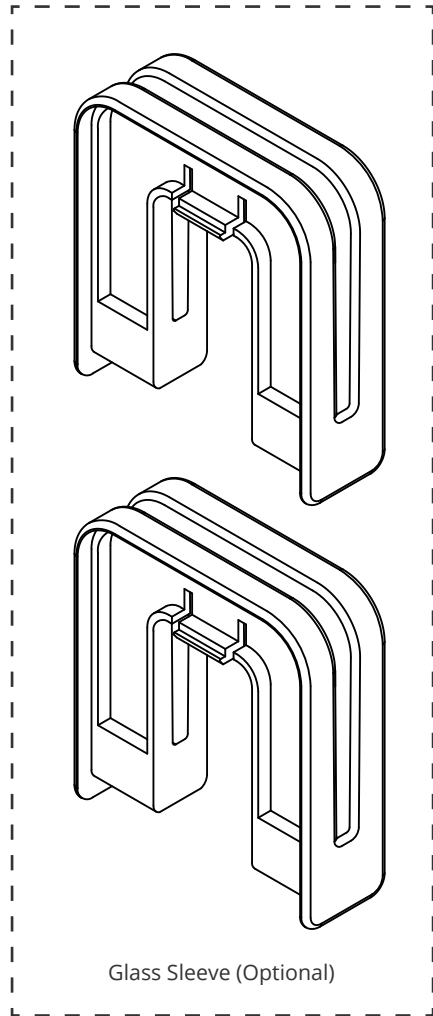


Surface Mount Bracket With Clamp (SMBC)

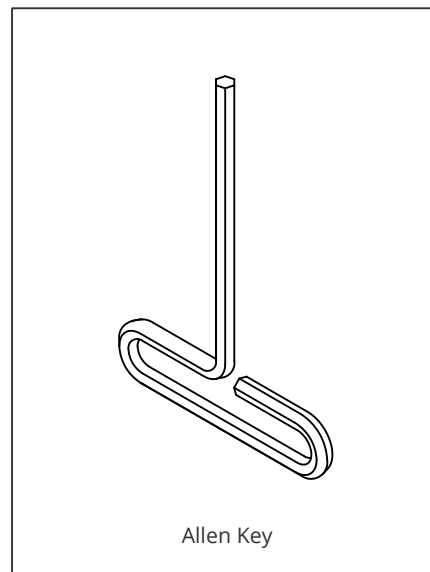




Surface Mount Bracket
with Clamp

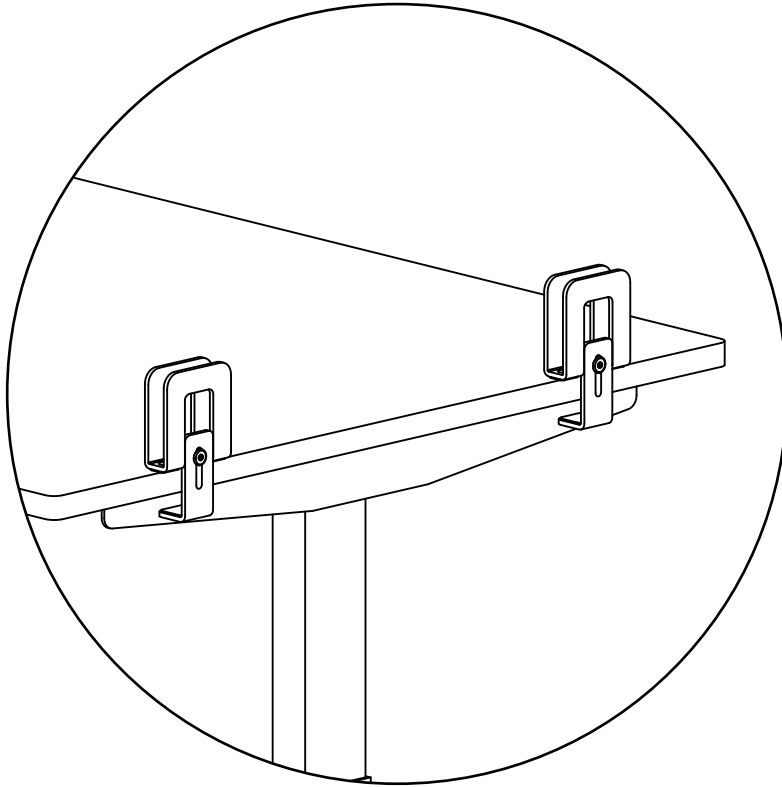


Glass Sleeve (Optional)

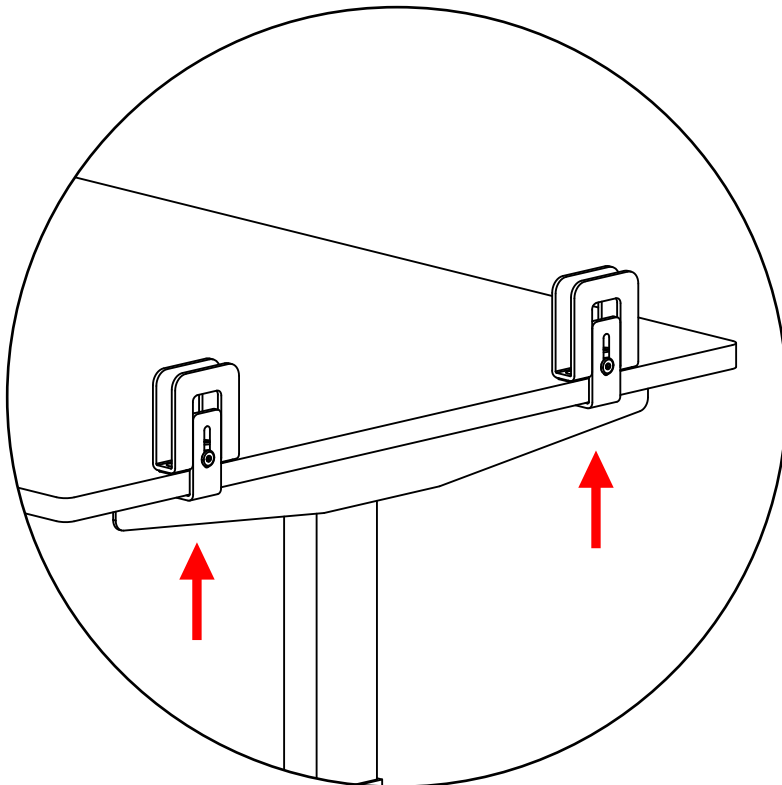


Allen Key

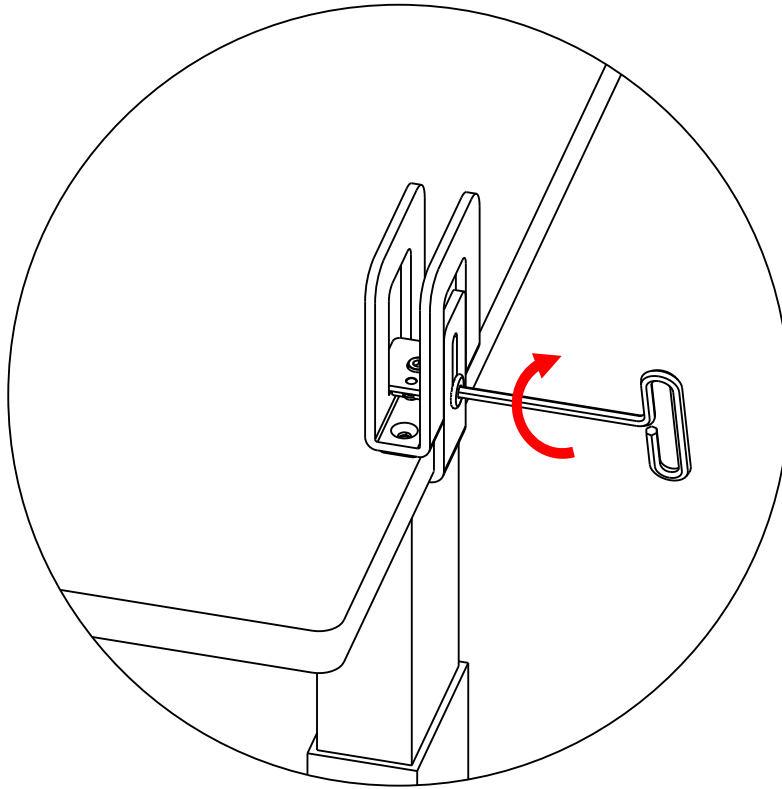
Step 1: Position SMBC 25% from each end and to edge of worksurface.



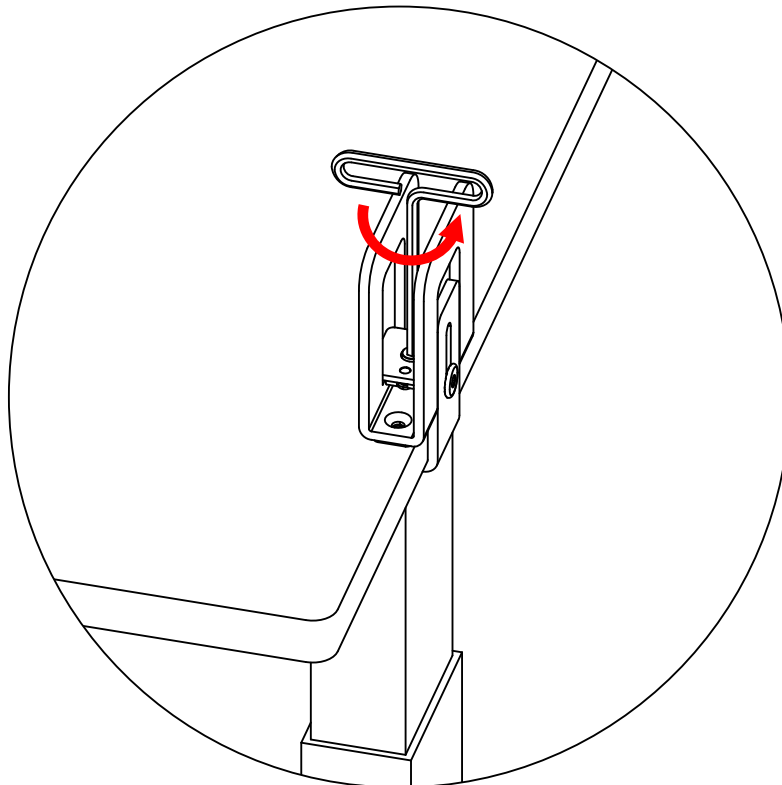
Step 2: Push the clamp up to fit the thickness of the worksurface.



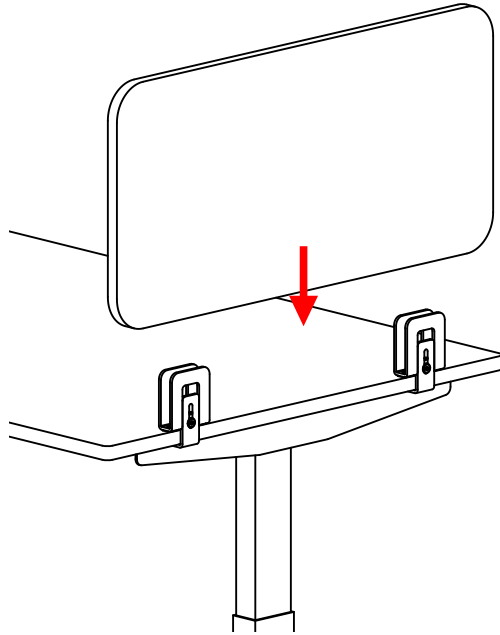
Step 3: Tighten the side screw by turning the Allen key clockwise.



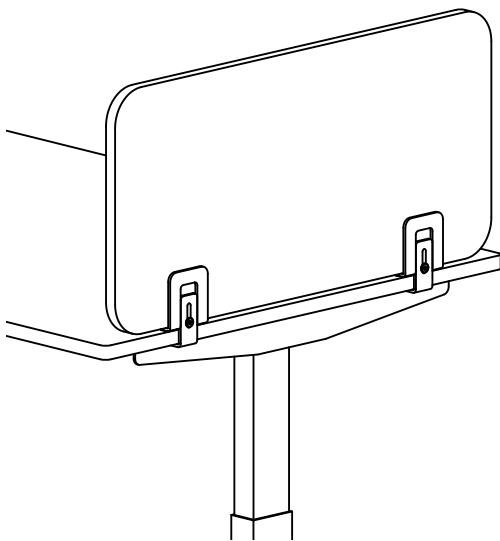
Step 4: Tighten the inner screw by turning the Allen key **counterclockwise**.



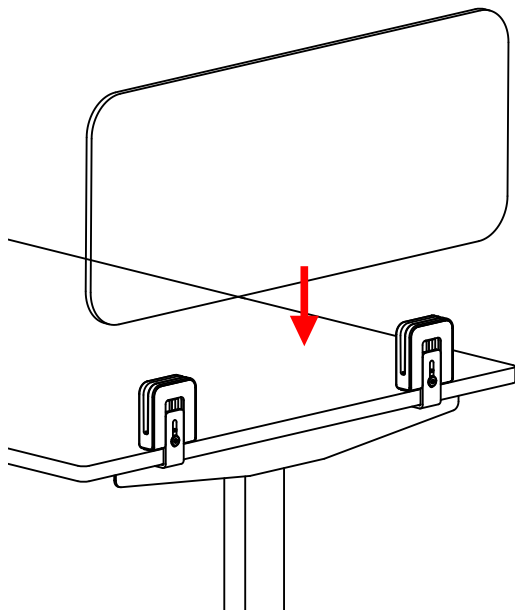
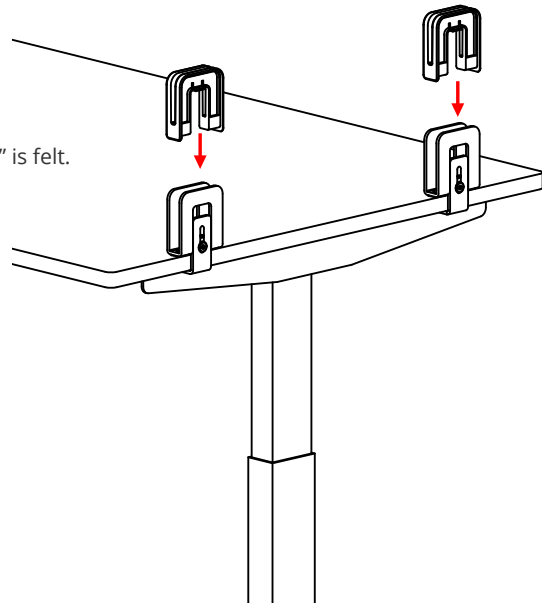
Step 5: Slot in 18mm PET privacy screen



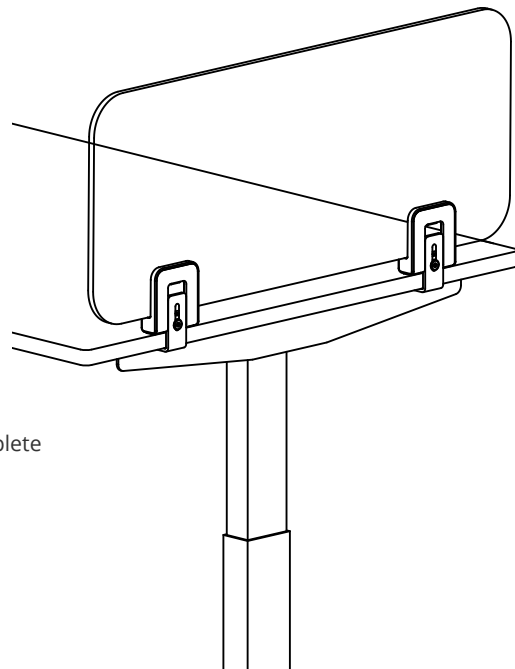
Step 6: Complete



Step 7: Slot in Glass Sleeve until a "click" is felt.

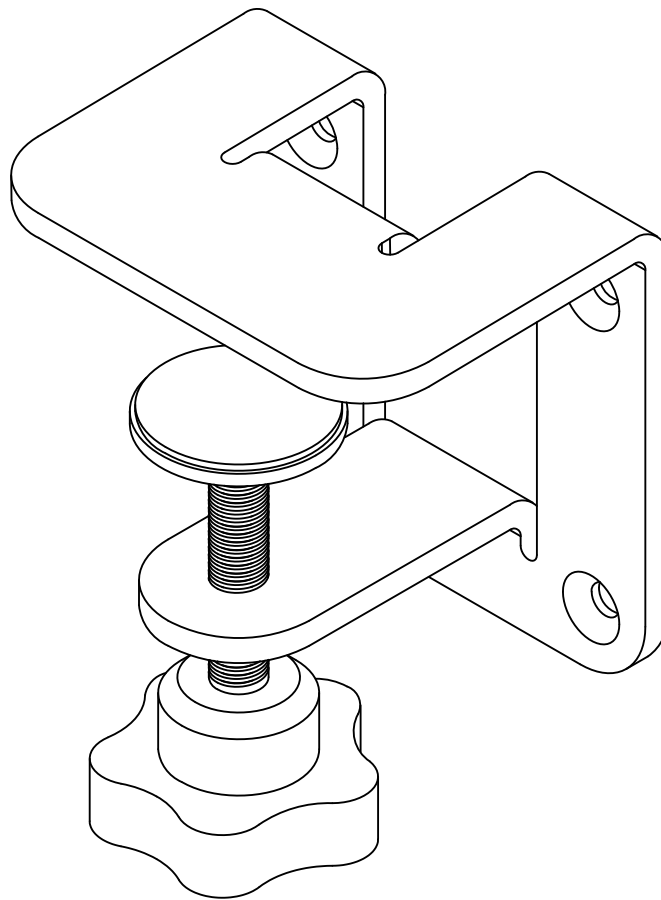


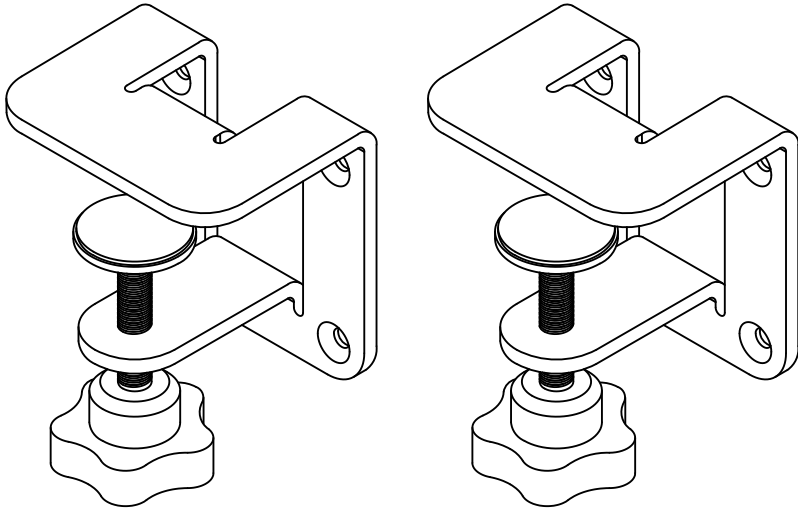
Step 8: Slot in 6mm glass panel



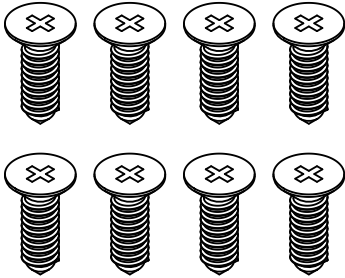
Step 9: Complete

Clamp Mount Bracket (CMB)

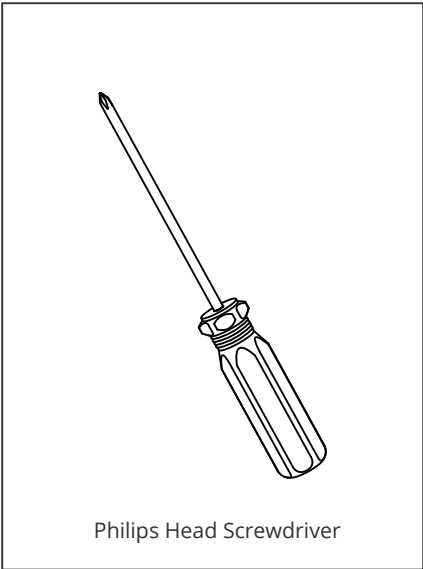




Clamp Mount Bracket (CMB)

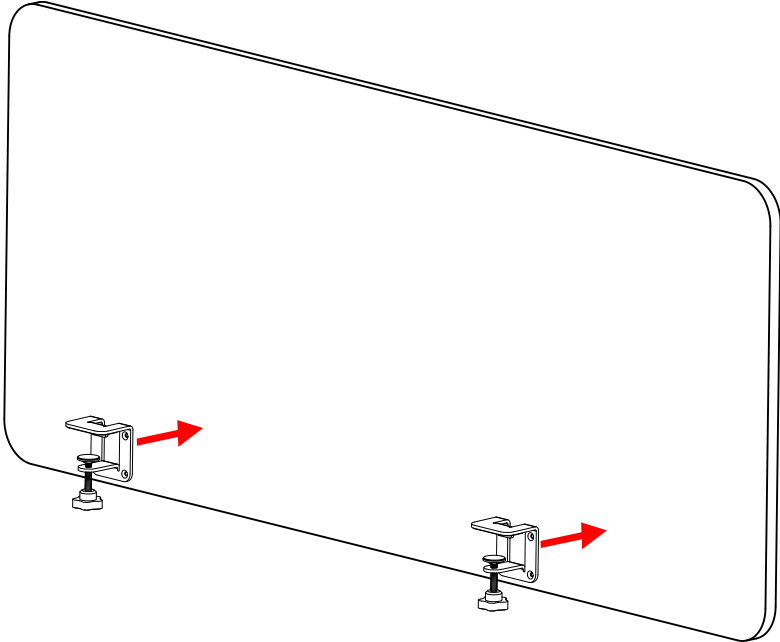


Tapping Screw



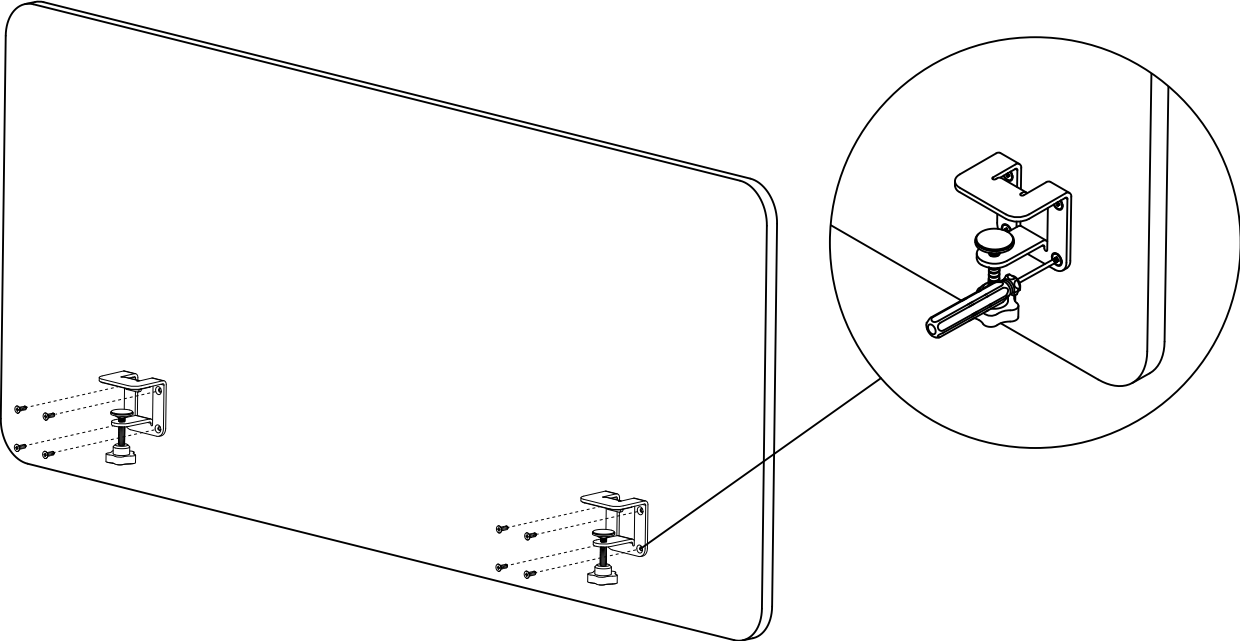
Phillips Head Screwdriver

Step 1: Position CMB 25% from each side of the PET privacy screen, as shown.

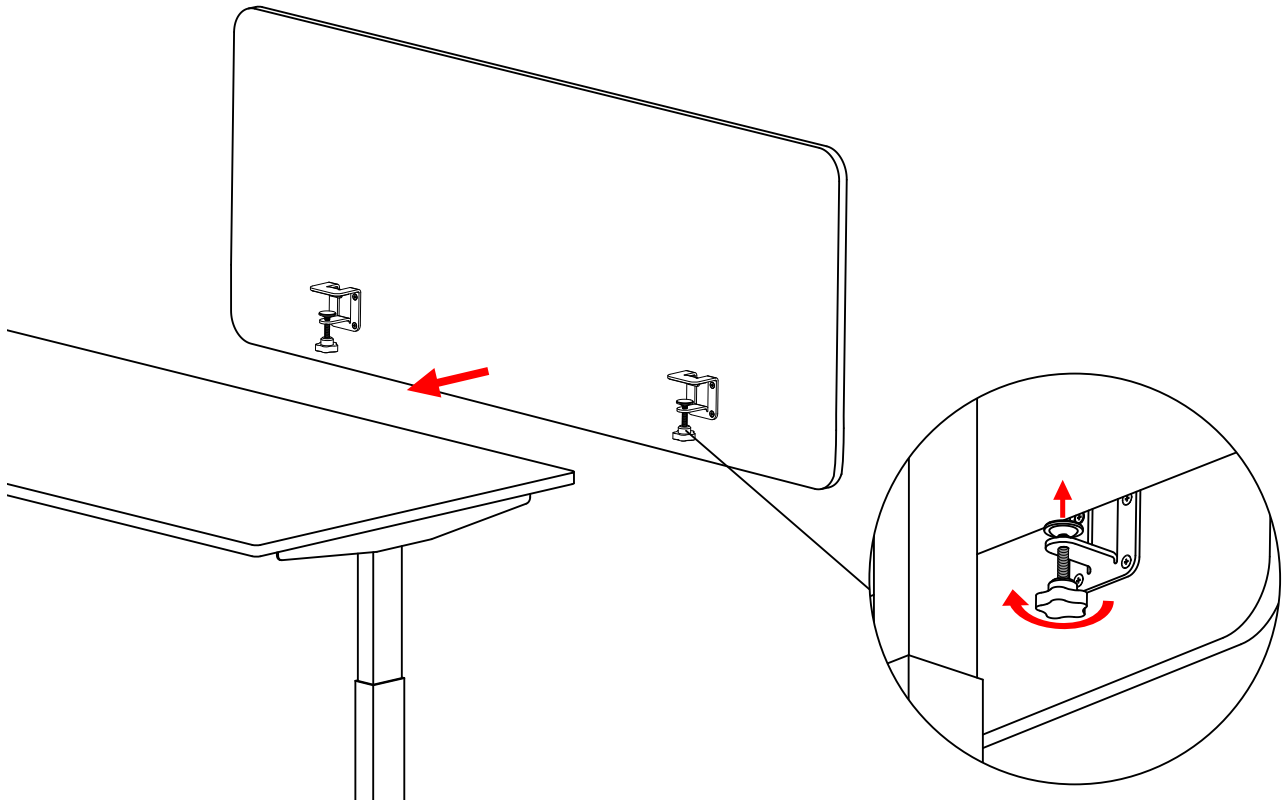


Placement Suggestion: 11" and 18": Align brackets at the bottom of screen.
23": Top of screen to be 11" above surface, 9" below surface
28": Top of screen to be 18" above surface, 9" below surface

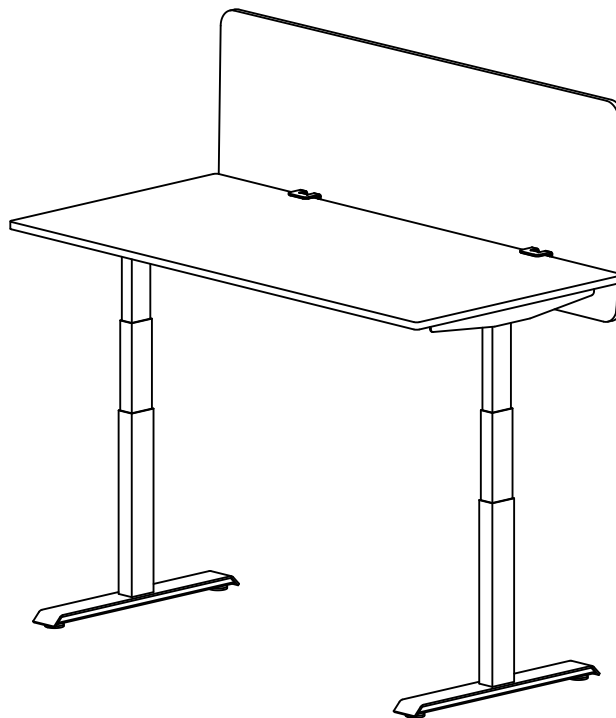
Step 2: Fasten CMB to PET privacy screen with tapping screw using screwdriver.



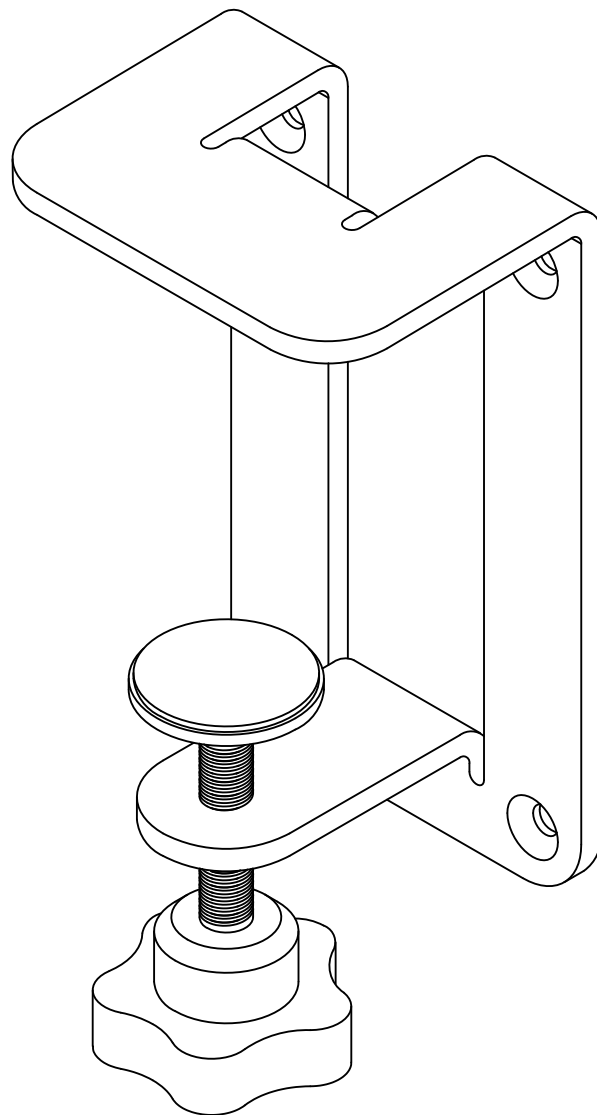
Step 3: Position CMB sub-assembly to edge of worksurface. Turn the knob to fasten CMB to worksurface

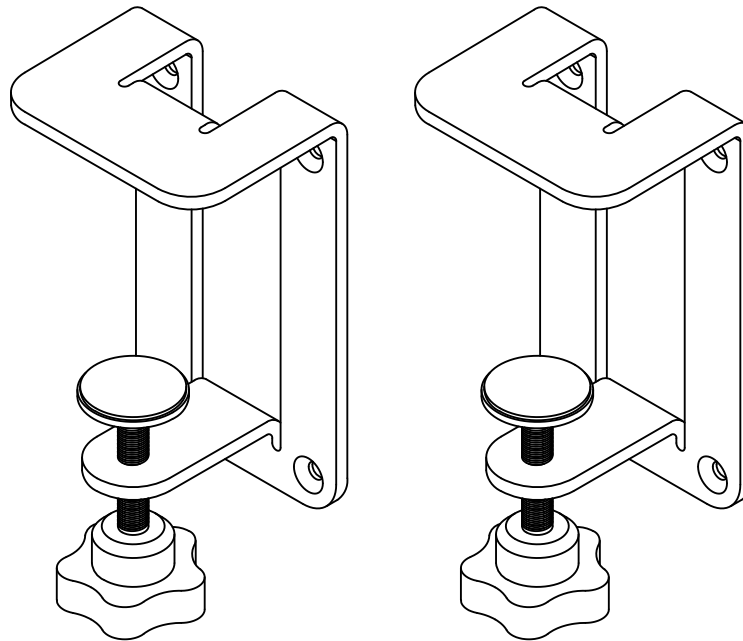


Step 4: Complete

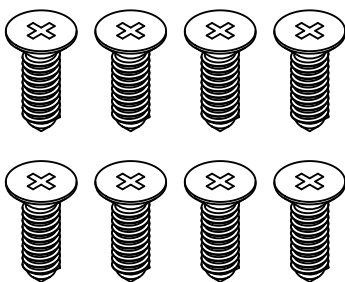


Clamp Mount Bracket with Extra Depth (CMED)

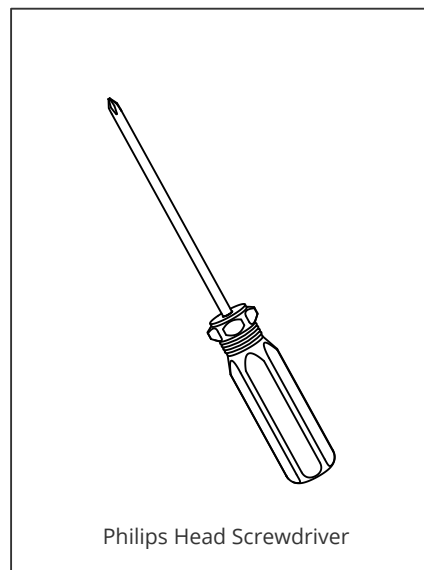




Clamp Mount Bracket with Extra Depth (CMED)

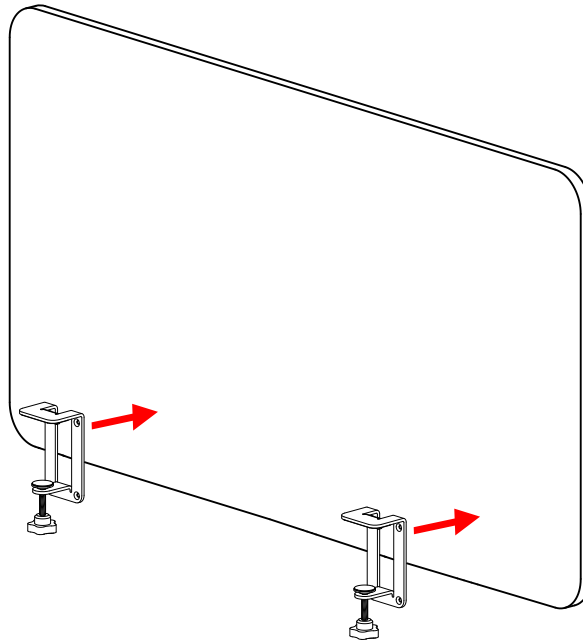


Tapping Screw



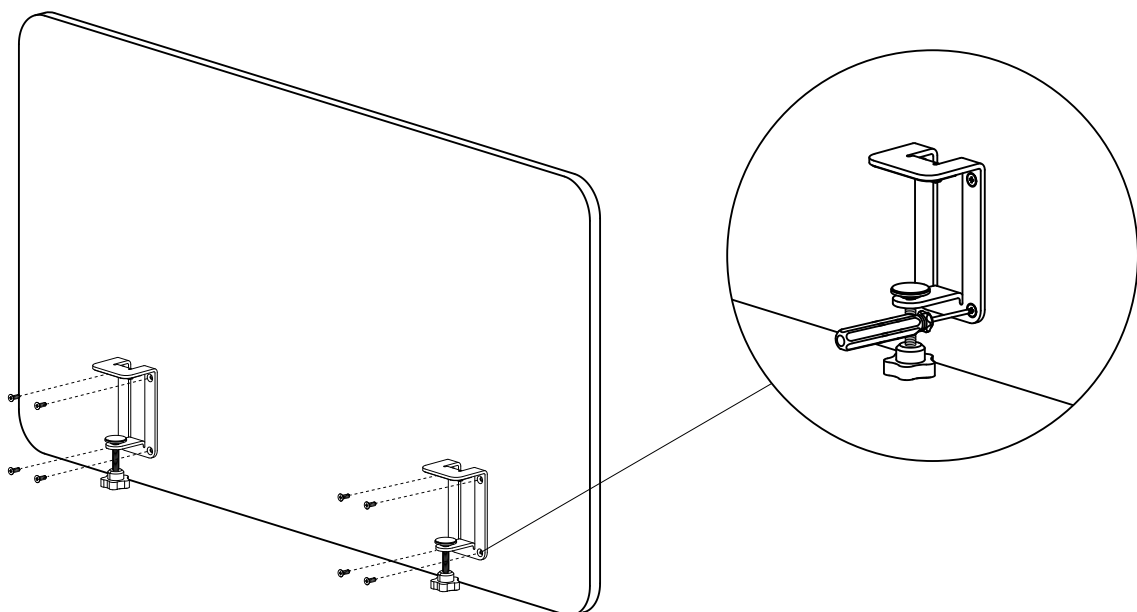
Philips Head Screwdriver

Step 1: Position CMED 25% from each side of the PET privacy screen, as shown.

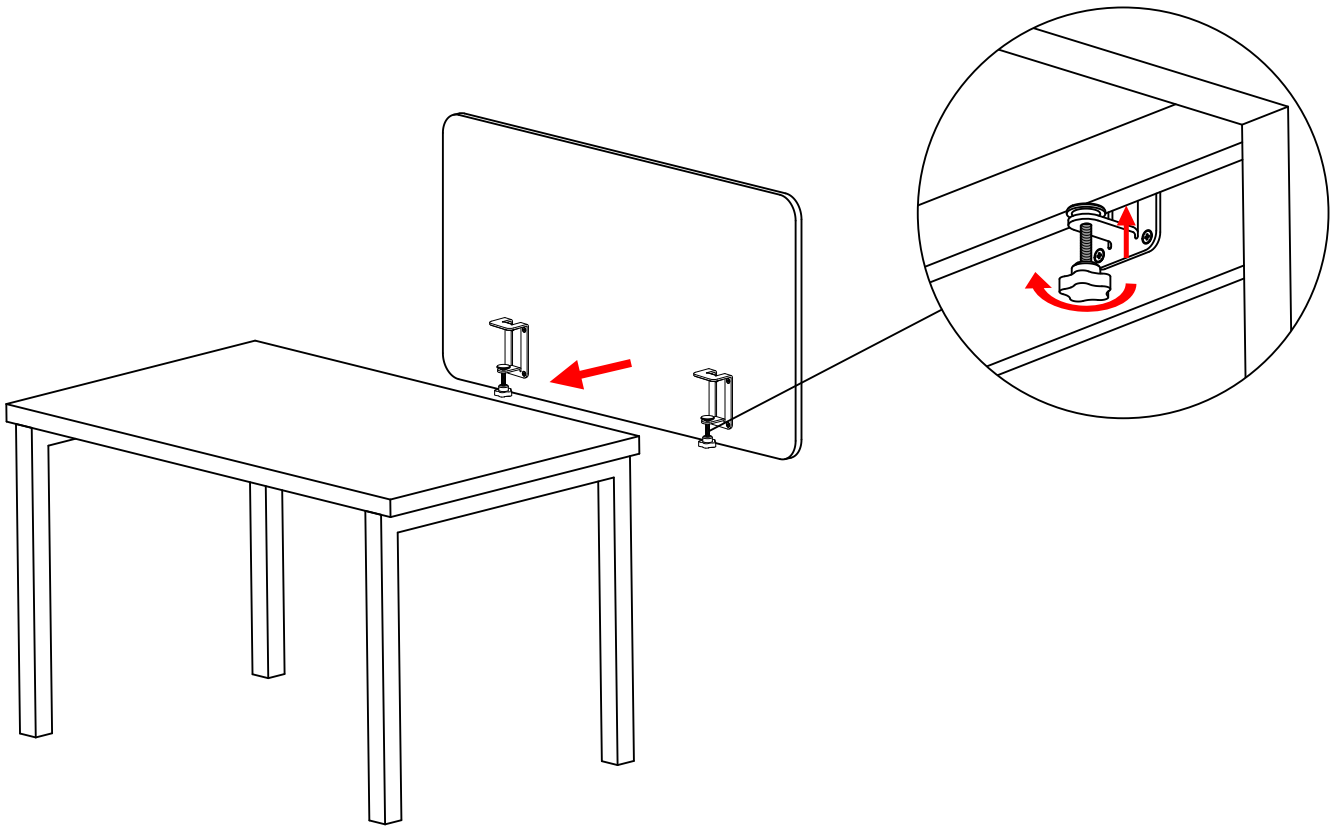


Placement Suggestion: 11" and 18": Align brackets at the bottom of screen.
23": Top of screen to be 11" above surface, 9" below surface
28": Top of screen to be 18" above surface, 9" below surface

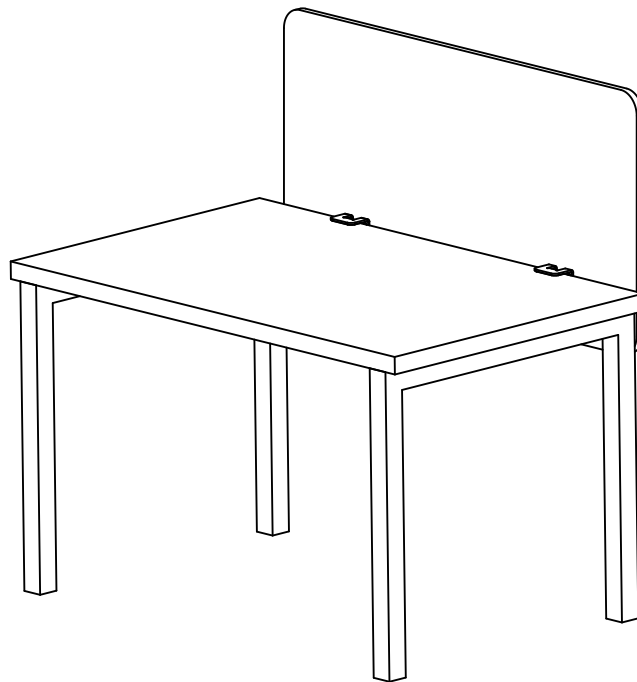
Step 2: Fasten CMED to PET privacy screen with tapping screw using screwdriver.



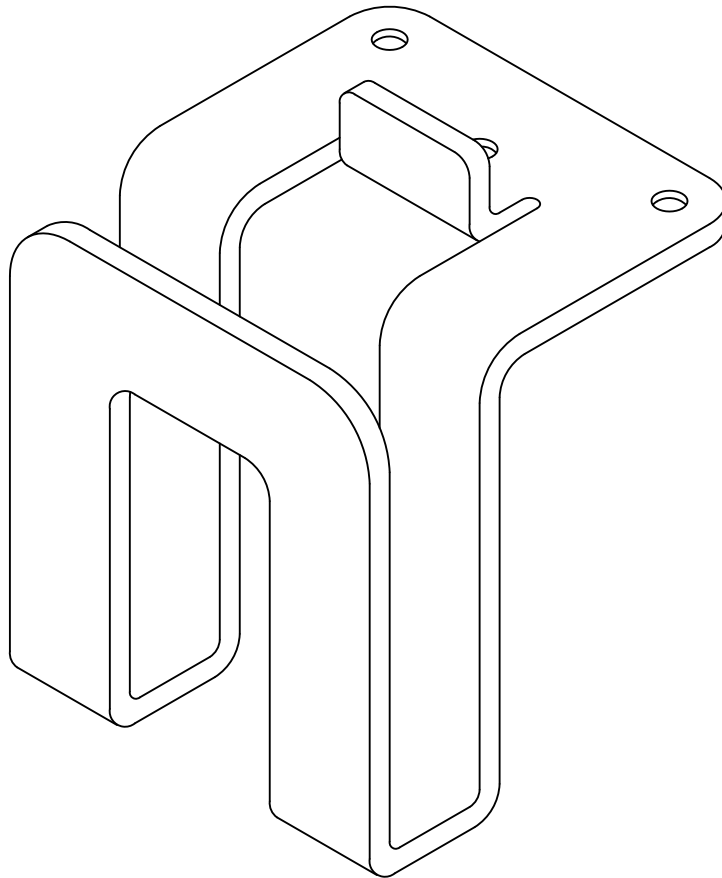
Step 3: Position CMED sub-assembly to rear edge of Axis Desk worksurface. Turn the knob to fasten CMED to Axis Desk.

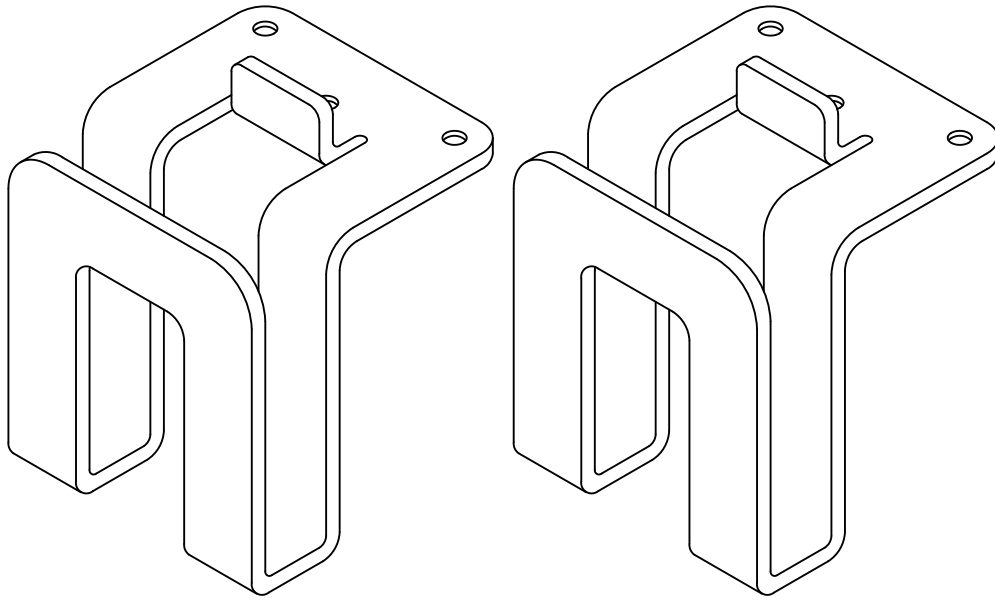


Step 4: Complete

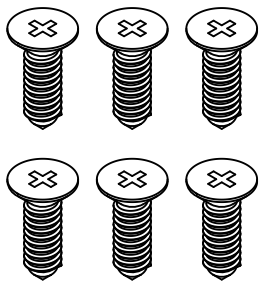


Slip Mount Bracket

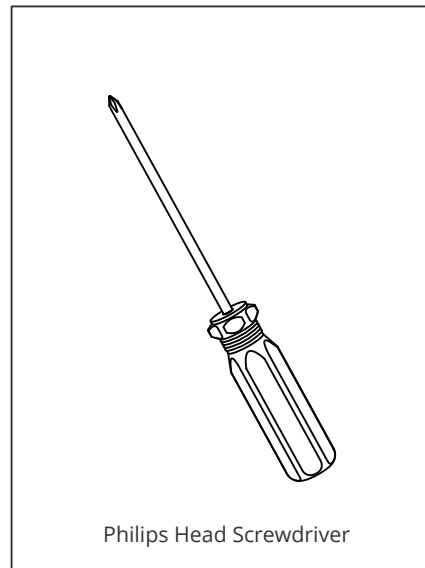




Slip Mount Bracket

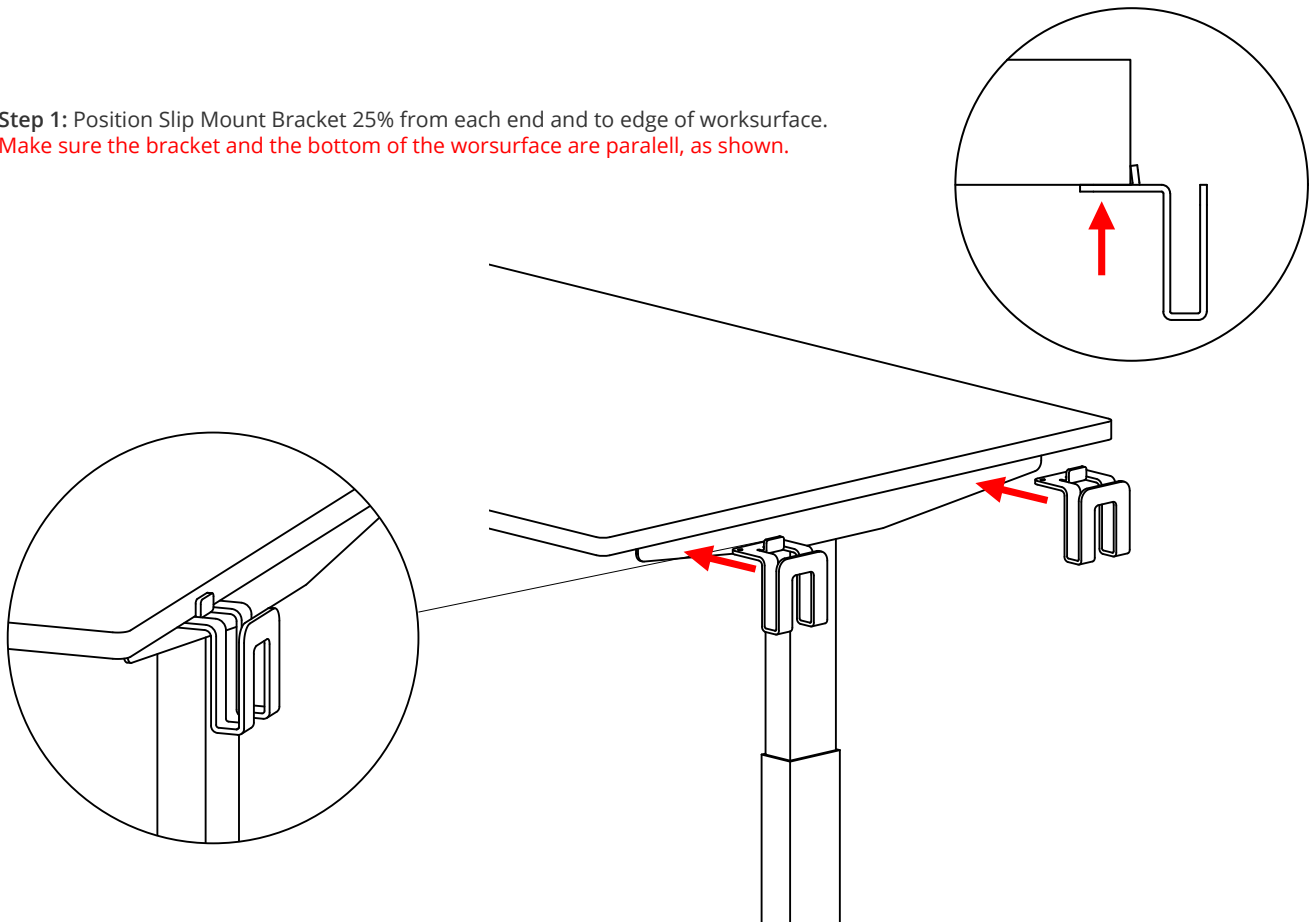


Tapping Screw

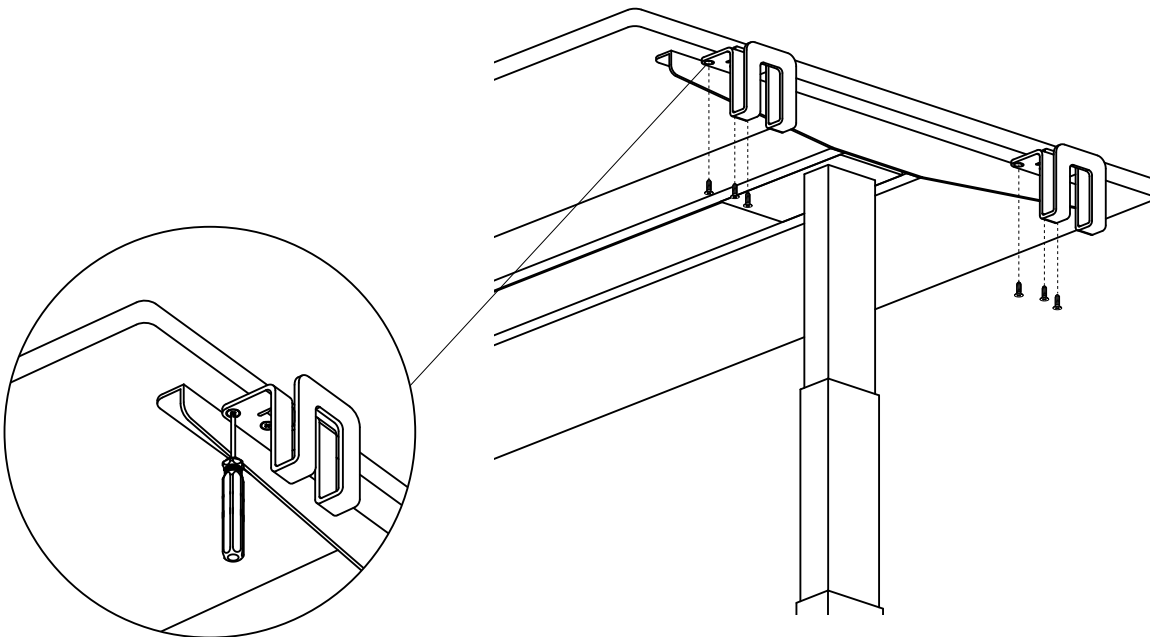


Philips Head Screwdriver

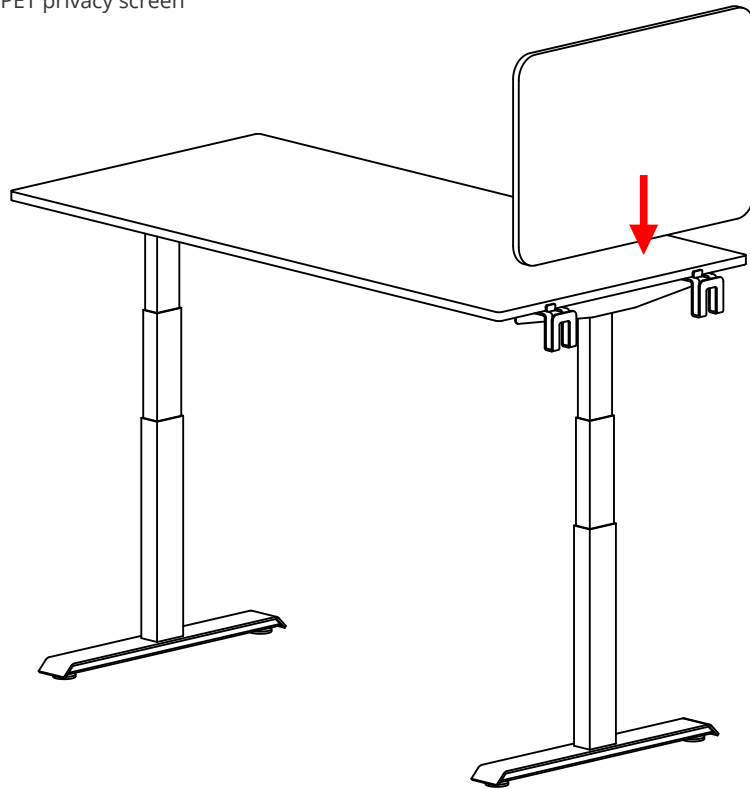
Step 1: Position Slip Mount Bracket 25% from each end and to edge of worksurface.
Make sure the bracket and the bottom of the worksurface are parallel, as shown.



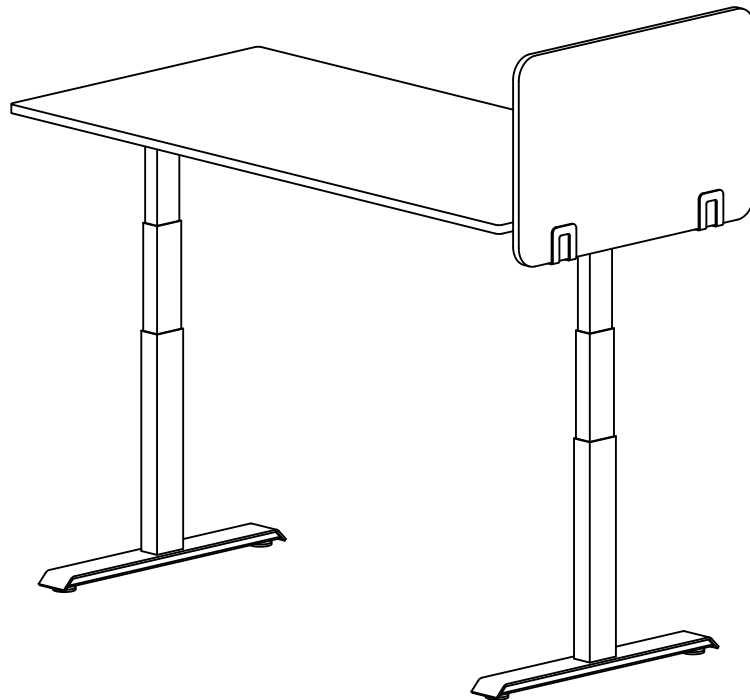
Step 2: Fasten Slip Mount Bracket to worksurface with Tapping Screw using screwdriver.



Step 3: Slot in 18mm PET privacy screen



Step 4: Complete



Please contact info@workspace48.com if you are missing any parts, have difficulty with assembly, or have any product related questions.