

# LOOKBOOK 2024

# 48



**WORKSPACE**



*Office Furniture in 48 Hours!*



# *Our Guarantee*



If you see it in this book, we stock it.  
Our mission is in our name: ship every product  
in our catalog in 48 hours. No fuss, no hassle,  
just office furniture in 48 hours.



**“I wanted to take a moment to express my sincere gratitude for the exceptional level of customer service that your team consistently delivers, setting a new standard of excellence!”**

**– Independent Representative**

# Our Clients

You're in good company.



& 1000's more...

"So impressive that you are able to support such a **quick turnaround time** with both quoting and delivery!"

- Certified MillerKnoll Dealer

"I could not be happier with the **design package** and the amazing turnaround. Really puts us in the lead to **win business!**"

- Certified Steelcase Dealer



# *Soft Seating*



*Motion<sup>®</sup>Office*



# *Motion<sup>®</sup>Office*

LOUNGE,  
COLLABORATION  
& PRIVACY







# *Motion<sup>®</sup>Office*





# *Workstations*

## *Agile*

HEIGHT ADJUSTABLE  
DESKS & BENCHING





HEIGHT ADJUSTABLE  
DESKS & BENCHING  
WITH INTEGRATED ELECTRICAL

# *Workstations*

*Agile +*





*Anwil*  
FIXED BENCHING

# *Workstations*





*Axis*

FIXED BENCHING

# *Workstations*





# *Private Office*





# *Reception & Storage*



## MOBILE PEDESTAL

- Available in Black or White LPL
- 0.75", flush-joined construction
- 5 heavy duty casters in black
- Gang-lock to all drawers
- Available as standard and slimline



### Standard size

25.2"h x 16"w x 18.6"d



### Slimline size

20.5"h x 12"w x 18.6"d



## CADDY STORAGE

- Studio White
- 0.75", flush-joined construction
- 5 heavy duty casters in white/ chrome finish
- 25"h x 35"w x 18"d
- Gang-lock to all drawers
- Height adjustable shelves
- Drawer units & tambours all interchangeable & lockable



Double Bookcase



Double Drawers



Double Tambours



Bookcase + Drawer LH/RH



Drawer + Tambour LH/RH



Tambour + Bookcase LH/RH

# Personal Storage



## SEAT TOPPAS

- Fits on Caddy mobile or mobile pedestal
- 11" h x 18.0" w x 18.3" w
- Upholstered in selected Breathe fabrics



Black Green Red



## TOWER STORAGE

- Studio White
- 1.0" tops and base, 0.75" sides and shelves
- Arctic White steel feet
- 49" h x 20" w x 18" d
- Drawer units
- Height adjustable shelves
- Flush joined construction



Bookcase



Bookcase + Drawers



Bookcase + Tambour



# *Tables*





# Tables





## Uni Flip





# Tables

## Axis Tables



# Modulus Tables

## MODULUS TWIN POST TRIPLE SPAN

### Standard features

- Black powdercoated poles & rails, polished alloy feet, collars & connectors
- Levelling glides
- White worksurfaces are in stock. Other finish options are available.

### Standard frame sizes fit worktops of

156" - 312" length x  
48" - 78" width



## MODULUS TWIN POST DOUBLE SPAN

### Standard features

- Black powdercoated poles & rails, polished alloy feet, collars & connectors
- Levelling glides
- White worksurfaces are in stock. Other finish options are available.

### Standard frame sizes fit worktops of

120" - 204" length x  
48" - 78" width



## MODULUS TWIN POST SINGLE SPAN

### Standard features

- Black powdercoated poles & rails, polished alloy feet, collars & connectors
- Levelling glides
- White worksurfaces are in stock. Other finish options are available.

### Standard frame sizes fit worktops of

72" - 120" length x  
48" - 78" width



## MODULUS SINGLE POST SINGLE SPAN

### Standard features

- Black powdercoated poles & rails, polished alloy feet, collars & connectors
- Levelling glides
- White worksurfaces are in stock. Other finish options are available.

### Standard frame sizes fit worktops of

48" - 84" length x  
32" - 36" width



## MODULUS FIXED LEG WIDE BASE

### Standard features

- Black powdercoated poles & rails, polished alloy feet & worktop supports
- Levelling glides
- White worksurfaces are in stock. Other finish options are available.

### Standard frame sizes fit worktops of

48" - 84" length x  
32" - 42" width



## MODULUS FIXED LEG NARROW BASE

### Standard features

- Black powdercoated poles & rails, polished alloy feet & worktop supports
- Levelling glides
- White worksurfaces are in stock. Other finish options are available.

### Standard frame sizes fit worktops of

48" - 84" length x  
24" - 36" width

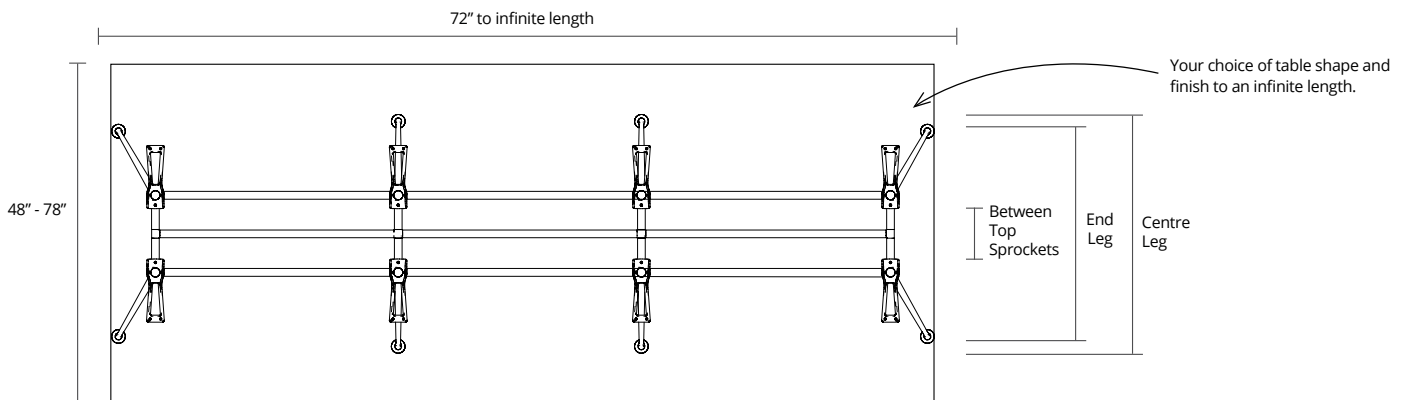




Showing: Modulus Twin Post, double span frame with 144" x 48" worktop and Interact power module

## MODULUS CONFERENCE SIZE GUIDE

### Twin Post with Collar Legs



10.2" Frame length below (each span)      Frame length below (each span)      Frame length below (each span)      10.2"

Leg Width Kit	End Leg	Centre Leg	Between Top Sprockets
CA-FW1200	44.9"	49.6"	7.1"
CA-FW1400	49.4"	54.1"	11.6"
CA-FW1600	57.3"	62"	19.5"
CA-FW1800	65.9"	69.9"	27.4"

#### Upper frame length (each span)

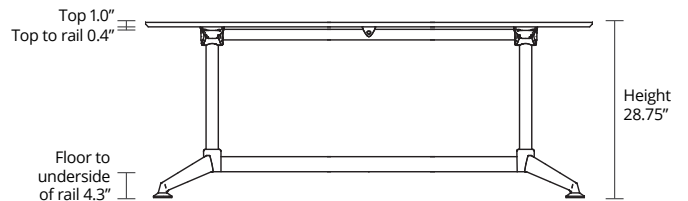
##### TWO BEAMS PER SPAN

CA-FWTOPRAIL1100 = 45.3"  
 CA-FWTOPRAIL1300 = 53.2"  
 CA-FWTOPRAIL1600 = 65"  
 CA-FWTOPRAIL2200 = 88.6"

#### Lower frame length (each span)

##### ONE BEAM PER SPAN

CA-FWBOTRAIL1100  
 CA-FWBOTRAIL1300  
 CA-FWBOTRAIL1600  
 CA-FWBOTRAIL2200





# *Seating & Ancillary*



# Balance Executive



## FEATURES

- Solid, cast aluminium synchro-tilting mechanism with multi-fulcrum support
- Simple, precise weight specific tilt action
- Push/pull sliding seat depth adjustment with five positions
- Advance tilting limiter with two step memory
- Polished alloy base and mechanism
- Mesh backrest
- Available in black Faux leather/black mesh and white Faux leather/white mesh
- Suitable for task, executive, conference and boardroom seating

## OPTIONAL UPGRADES

- Optional lumbar and/or headrest
- Multi adjustable arms - pair
- Drafting gas lift with chrome foot ring
- Seat cover in Breathe fabric

### Fabric Colours



10 YEAR GUARANTEE

300 lb RATING

ISO14001



## Balance Executive

Seat height: 17.5-21.5"  
Seat width: 20.3"  
Seat depth: 19.3"  
Overall height: 39-42.9"

# Balance Task



## FEATURES

- High quality black mesh backrest - ergonomically supports your back
- Simple levers for height, tension and tilt control to personalise your comfort
- High resistance molded seat foam with tidy under seat finish - upholstered in Breathe black fabric
- Stylish black nylon star base
- Heavy duty 60mm unhooded casters
- Suitable for task, conference and boardroom seating

## OPTIONAL UPGRADES

- Height adjustable arms - pair
- Drafting gas lift with chrome foot ring

## Fabric Colours



Black

**10** YEAR  
GUARANTEE

**300** lb  
RATING

**ISO14001**

## Balance Task

Seat height: 17-20"  
Seat width: 20.3"  
Seat depth: 20.3"  
Overall height: 32.7-35.2"

# Balance Training



## FEATURES

- Integral arms and high quality supportive black mesh backrest combine to give flexible comfort
- High resistance moulded foam and hard-wearing fabric for high use areas - upholstered in Breathe black fabric
- Super strong reclining mechanism to give relaxation when you want
- Fold up seat allows for nesting to save space when not in use
- Supplied standard with free wheeling casters - ideal for large venues
- Suitable for executive side chair, conference, training and boardroom seating

## OPTIONAL UPGRADES

- Table arm kit



**10** YEAR  
GUARANTEE

**300** lb  
RATING

ISO14001

## Balance Training

Seat height: 17.7"  
Seat width: 18"  
Seat depth: 17.7"  
Overall height: 32"

# Balance Visitor



## FEATURES

- Black powdercoated cantilever steel frame
- Moulded, high resistance foam, upholstered in hard wearing Breathe black fabric
- Ergonomically contoured high quality black mesh
- Suitable for executive side chair, conference and boardroom seating

**10** YEAR  
GUARANTEE

**300** lb  
RATING

**ISO14001**

## Balance Visitor

Seat height: 17"  
Seat width: 24"  
Seat depth: 22"  
Overall height: 34"

# Compass



**10** YEAR  
GUARANTEE

**300** LB  
RATING

## Applications:

Every workstation, conference room, meeting area

## Features

Breathable mesh back  
Heavy duty castors  
All-day comfort, moulded foam seat cushion  
Pneumatic height adjustment  
Seat back tension adjustment  
Seat depth adjustment

## Specifications:

Seat Depth: 19.5" - 22"  
Seat Width: 20.5"  
Seat Height: 18" - 22.5"  
Overall Height: 38" - 43"  
Seat tilt: -45°  
Weight: 37 lbs  
Volume: 3.5 cu ft

## Finishes:



# Essence



**10** YEAR  
GUARANTEE

**300** LB  
RATING

## Applications:

Every workstation, conference room, meeting area

## Features

Breathable mesh back  
Heavy-duty soft castors  
All-day comfort, molded foam seat cushion  
Pneumatic height adjustment  
Seat back tension adjustment

## Specifications:

Seat W/D: 20.5" x 20.5"  
Seat Height: 19.5" - 22"  
Overall Height: 40" - 43.5"  
Seat tilt: -30°  
Weight: 31 lbs  
Volume: 3.9 cu ft

## Finishes:



# Mode



## FEATURES

- Synchronised tilting mechanism with weight specific tension control
- Luxurious upholstered cushions in black or white faux leather with matching removable arm covers
- Mirror finish stainless steel frame and removable armrests with hidden fixings
- Fully sprung seat base for outstanding comfort and support
- Complete family - highback, midback and visitor
- Suitable for executive, conference or boardroom seating

10 YEAR  
GUARANTEE

300 lb  
RATING

ISO14001

### Mode High Back

Seat height: 17.7"  
Seat width: 18"  
Seat depth: 17.7"  
Overall height: 32"

### Mode Mid Back

Seat height: 17.7"  
Seat width: 18"  
Seat depth: 17.7"  
Overall height: 32"

### Mode Guest

Seat height: 17.7"  
Seat width: 18"  
Seat depth: 17.7"  
Overall height: 32"



## FEATURES

- One-piece flexible polypropylene shell available in black or white
- Comfortable seat cushion upholstered in Motion Felt or black / white Faux leather
- Steel legs (black or white powdercoat finish) with casters or a 4 leg oak frame
- Available in chair or barstool style
- Suitable for meeting, visitor, breakout or cafeteria areas

## Fabric Colours



**10** YEAR  
GUARANTEE

**220** lb  
RATING

**ISO14001**

### Luna Mobile Chair

Seat height: 17.3"  
Seat width: 18.5"  
Seat depth: 17.3"  
Overall height: 31.5"

### Luna Oak Chair

Seat height: 16.5"  
Seat width: 18.5"  
Seat depth: 17.3"  
Overall height: 31.1"

### Luna Oak Barstool

Seat height: 29.1"  
Seat width: 16.1"  
Seat depth: 13.8"  
Overall height: 39.4"

# Game



## FEATURES

- Strong rigid, frame with chrome finish
- The game chair is very light to carry
- Available as 4 leg in chair or barstool height
- Large contoured seat and back
- Shell colours comes in charcoal
- Space saving - stacks up to 9 chairs high
- Seat tag conveniently hidden on backrest - slides open/closed to reveal potential seating numbers
- Suitable for training, conference, classroom, healthcare, retail and cafeteria seating
- Upholstery options - seat only, seat and back, back only, or no upholstery

## Fabric Colours



Black

Red

Green

Orange

Blue

Grey

Plum

10 YEAR  
GUARANTEE

300 lb  
RATING

ISO14001

### Game Chair

Seat height: 18.1"  
Seat width: 17.7"  
Seat depth: 17.7"  
Overall height: 31.9"

### Game Barstool

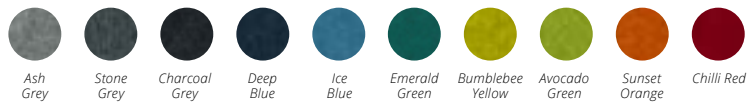
Seat height: 29.5"  
Seat width: 17.7"  
Seat depth: 17.7"  
Overall height: 42.5"



## FEATURES

- Thick foam pad upholstered in Motion Felt
- Add colour and function to your collaboration spaces
- Otto is the perfect seat for those drop-in visitors and in the creative zones in your workspace
- Caster base makes it easy to manoeuvre around
- Suitable for breakout zones and casual meeting areas

## Fabric Colours



**10** YEAR  
GUARANTEE

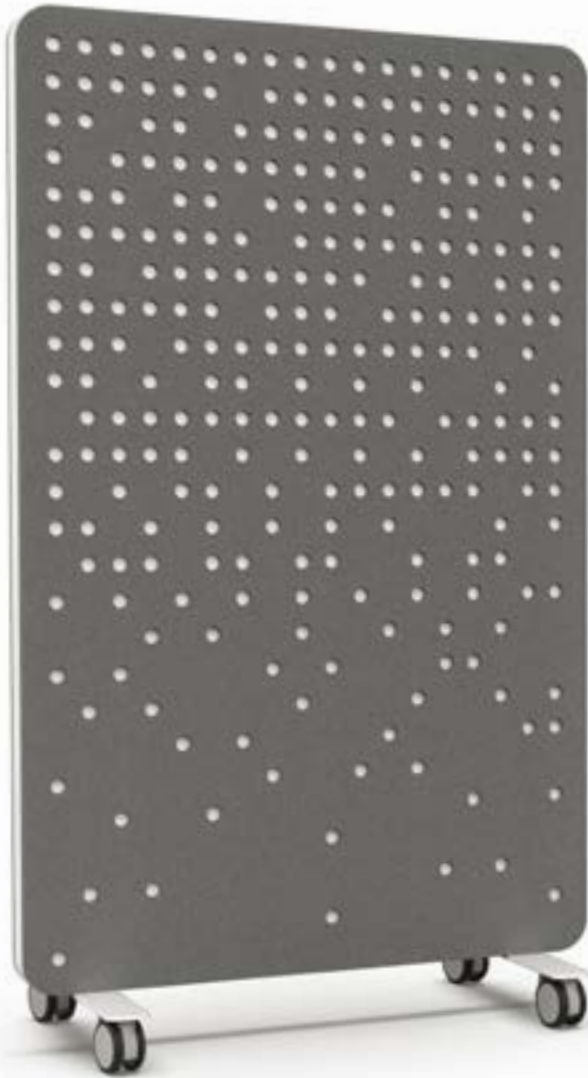
**300** lb  
RATING

**ISO14001**

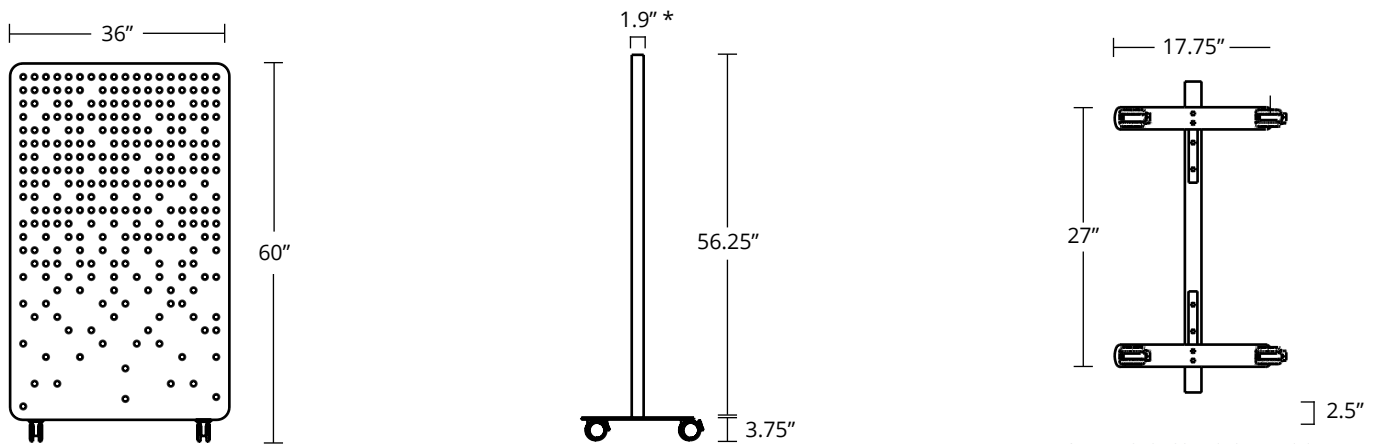
### Otto Stool

Seat height: 17.3"  
Seat diameter: 17.7" (top)  
20.9" (bottom)

# Orbit Divider



## UNIT DIMENSIONS



\* 2.6" with double sided e-Panel design



## STANDARD FEATURES

- e-Panel or Whiteboard HPL surface with Arctic White powder coated feet
- Optional recycled e-Panel design with 0.76 NRC rating for added acoustic/aesthetic properties
- Hollow-core design and CombCore (honeycomb) structure creates rigid lightweight panel
- Locking casters

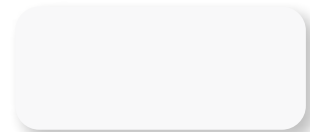
## STANDARD SIZES

- 60"W x 36"H

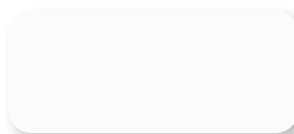
## STANDARD FINISHES



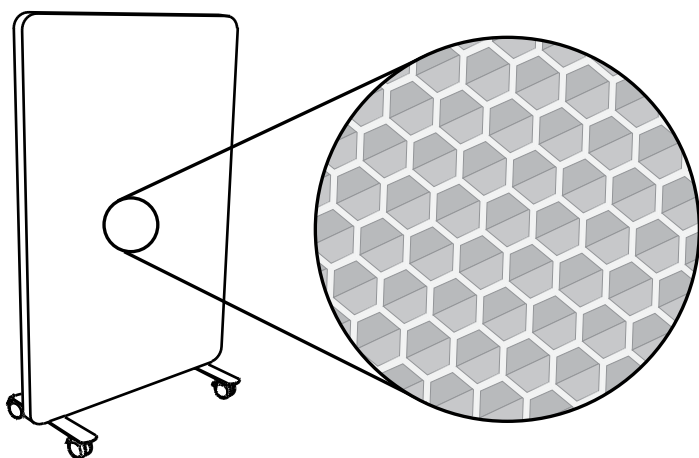
Deep Grey e-Panel (pixel design only)



Arctic White powder coat



Whiteboard HPL



## COMBCORE STRUCTURE



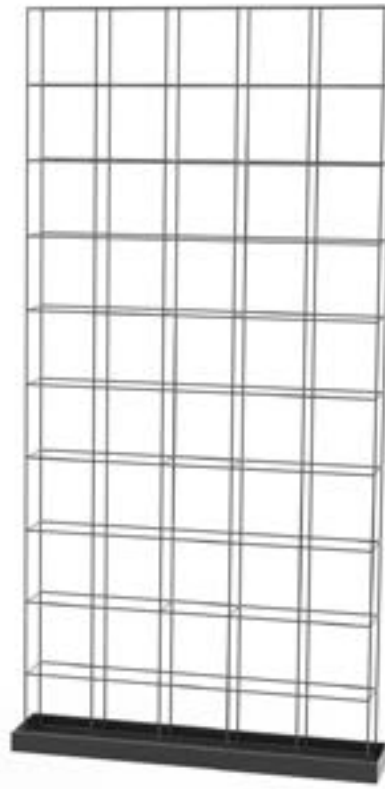
Significant reduction in weight and material for ease of mobility



Environmentally friendly, produced from 100% recycled materials

# *Viro Planter Wall*





## STANDARD FEATURES

- Steel wire frame construction finished in black powder coat
- Pre-drilled holes in the tray to securely fasten base
- Overflow tray to catch drips and keep any mess contained

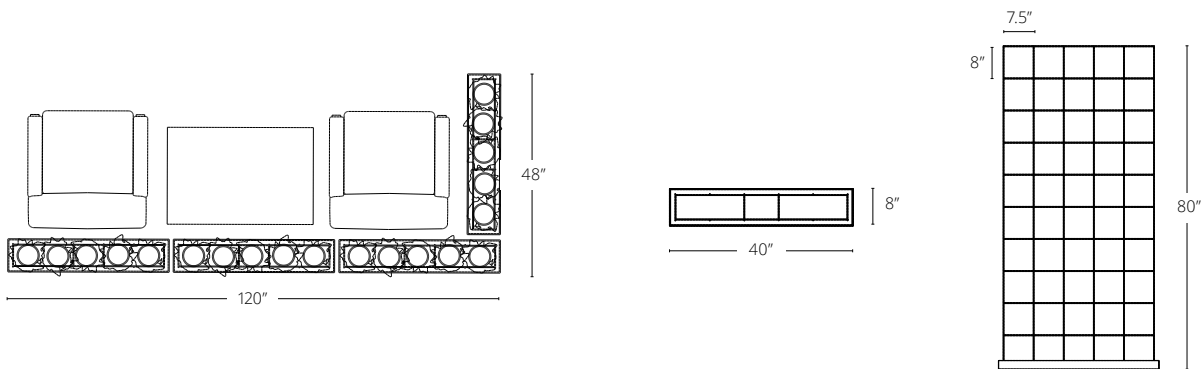
## APPLICATIONS

- Collaborative areas, lunch rooms, open offices, private offices and more!

## OPTIONAL UPGRADES

- Optional plant pots sold separately

## UNIT DIMENSIONS



# Let's Team Up

## General Inquiries

[info@workspace48.com](mailto:info@workspace48.com)

## Orders

[orders@workspace48.com](mailto:orders@workspace48.com)

## Products, Pricing & Resources

[www.workspace48.com](http://www.workspace48.com)



Visit us at [www.Workspace48.com](http://www.Workspace48.com)



## Lead Times

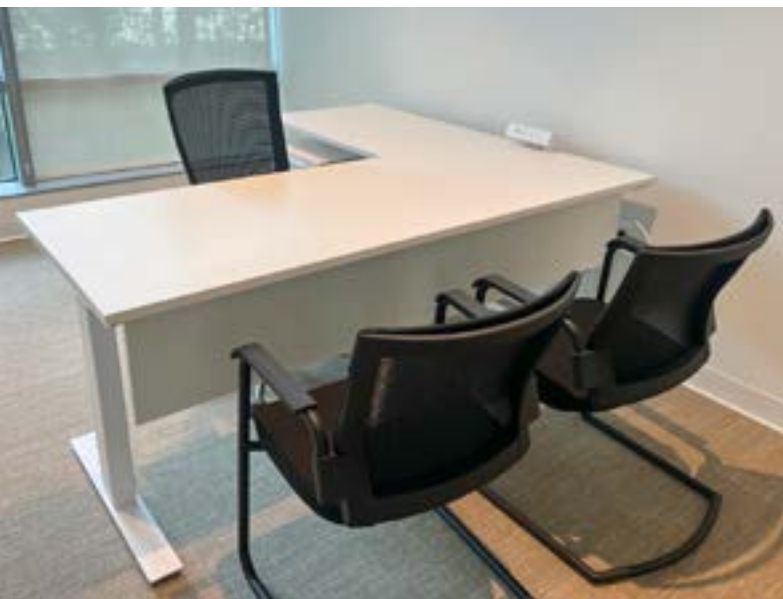
***Our products are in stock and ready to ship in just 48 hours.*** It's as simple as that. Don't need it that fast, that's ok too – we're happy to ship the order whenever you need it! See our pricelist for more information; some exclusions apply.

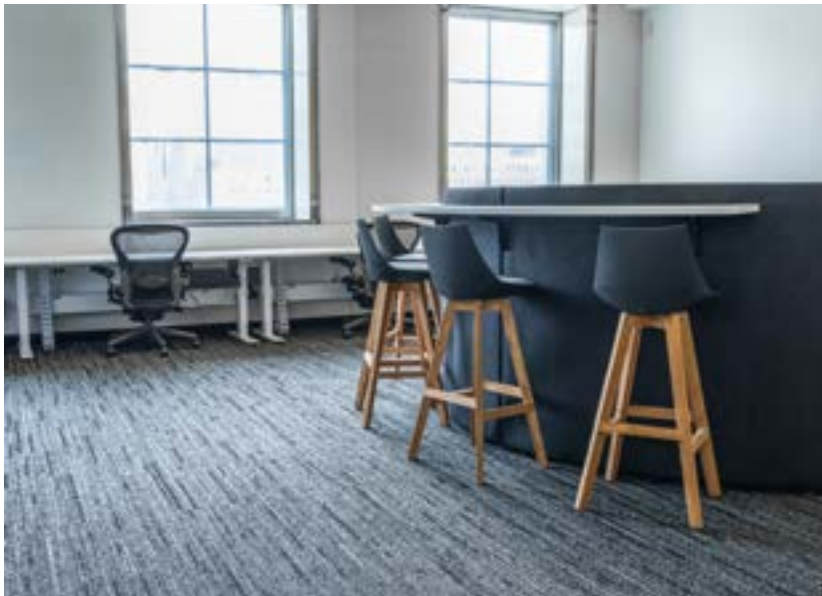
## Warranties

***We stand behind our products with a 10-year warranty.*** Get all the details on our website in Dealer Tools.

## CET

***Our products can easily be specified on the CET Designer platform.*** Simply download the Workspace48 CET extension in Dealer Tools on our website to get started.





**WORKSPACE** 

[www.Workspace48.com](http://www.Workspace48.com)

**Showrooms** by appointment only

79 Wingold Avenue

Toronto, ON M6B 1P8

Tel. +1 416-441-9898

200 Universal Road #22

Woodstock ON N4S 7W3

Tel. +1 519-533-1839

