

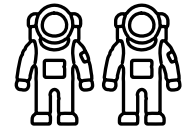
# *Agile Plus - Single Desk*

## Installation Guide
















# Agile Plus - Single Desk

## Installation Overview



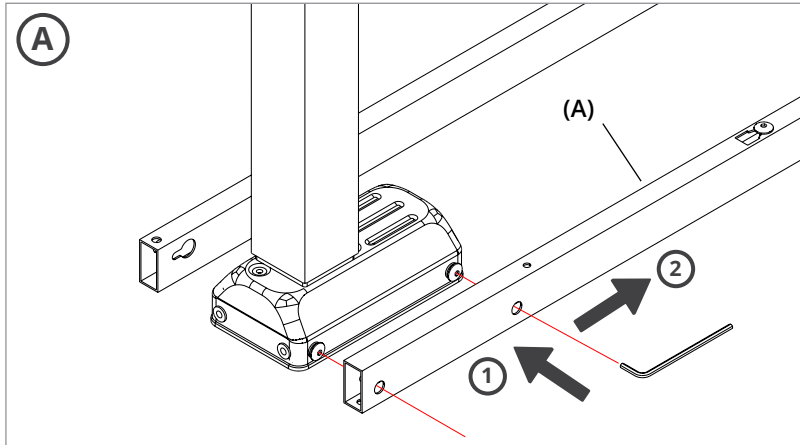
Recommended 2  
persons for install

- To prevent possible scratches or damage, assemble the Desk upside down on a soft surface such as a blanket, carpet or packaging.
- **WARNING:** Plugging into your electrical outlet without proper and complete installation is strictly prohibited!
- **Install Time: 20 minutes\***

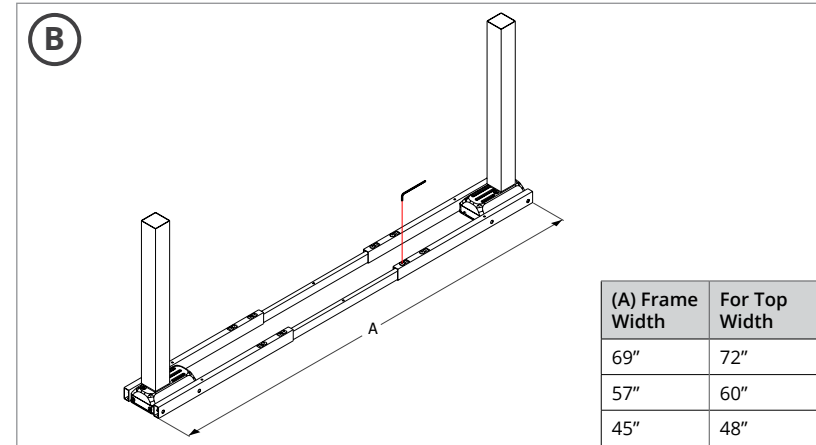
|   |   |   |   |   |   |  |   |   |   |   |   |   |
|---|---|---|---|---|---|--|---|---|---|---|---|---|
| 1   | 2   | 3   | 4   | 5   | 6   | 7  | 8   | 9   | 10  | 11  | 12  | 13  |
|  |  |  |  |  |  |  |  |  |  |  |  |  |
| M6x18<br>(12-306)   |   | M8x16<br>(06-059)   | ∅5x17<br>(06-097)   | ∅4.5x45<br>(06-090)   | ∅5x60<br>(06-105)   |  |   | ∅4.5x16<br>(06-282)   | M6x15<br>(06-205)   |   |   | ∅3.5x16<br>(06-076)   |

# Agile Plus

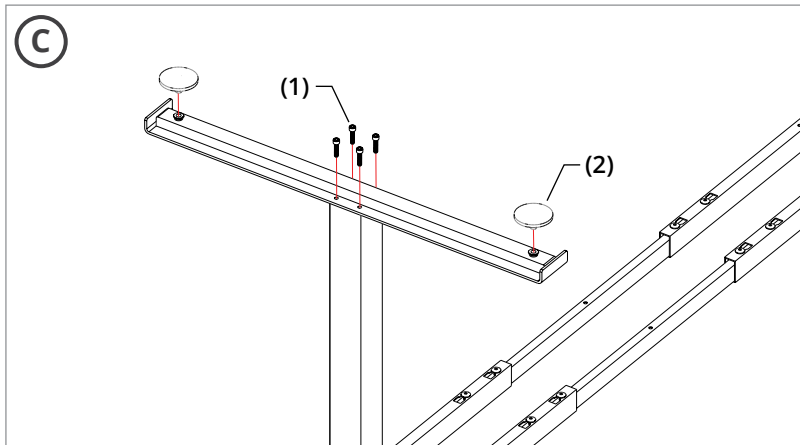
## Installation Guide



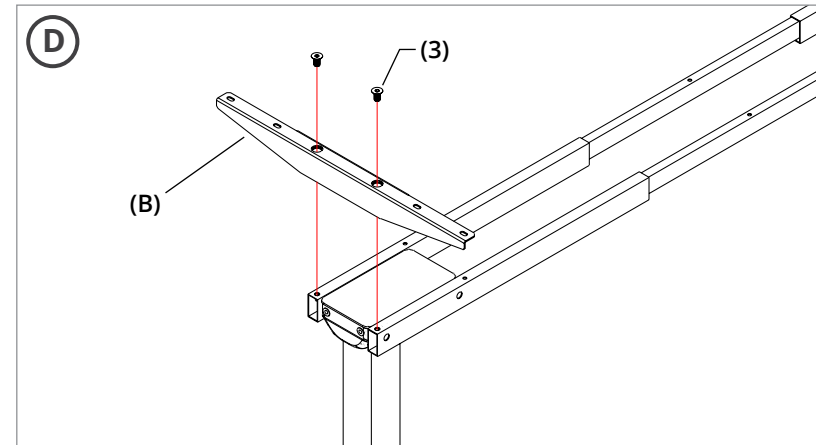
Slide the cross rails (A) over the preinstalled bolts and slide into place as indicated by the arrows above. Tighten the screws firmly.



Measure the frame width according to the desired top size from the chart above. Once the width has been adjusted, tighten the screws firmly.



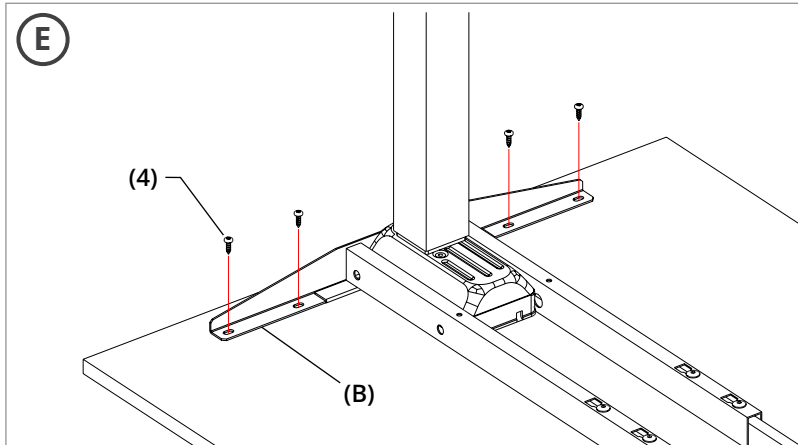
Fasten the foot to the leg column using the M6x18 (1) bolts and insert the levelling glides (2).



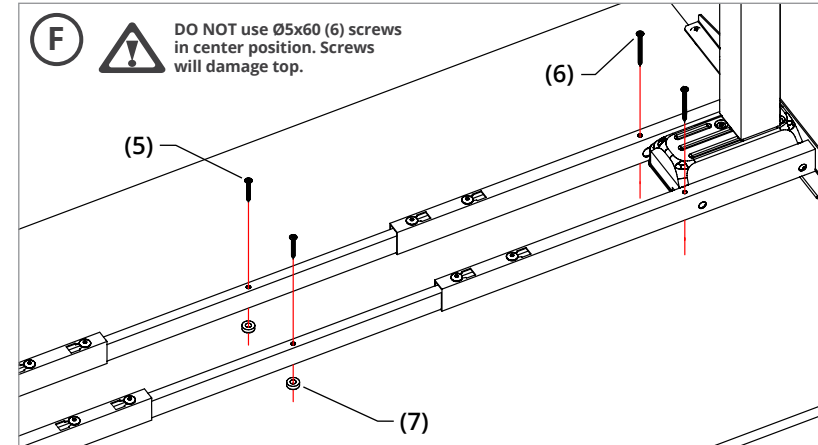
Fasten the support rail (B) to the frame using M8x16 bolts (3).

# Agile Plus

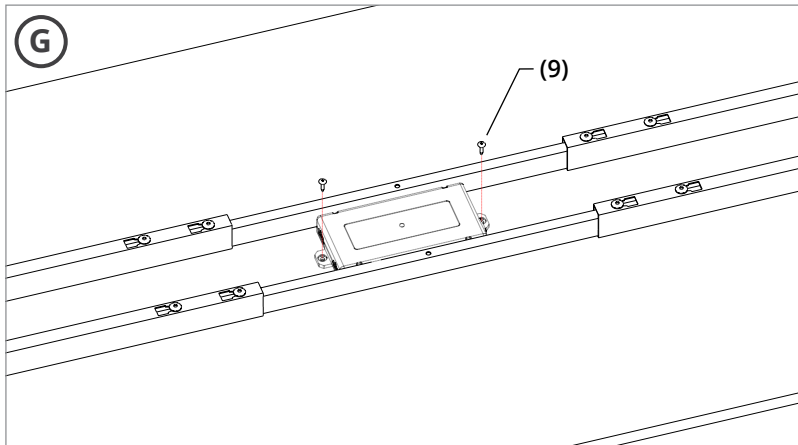
## Installation Guide



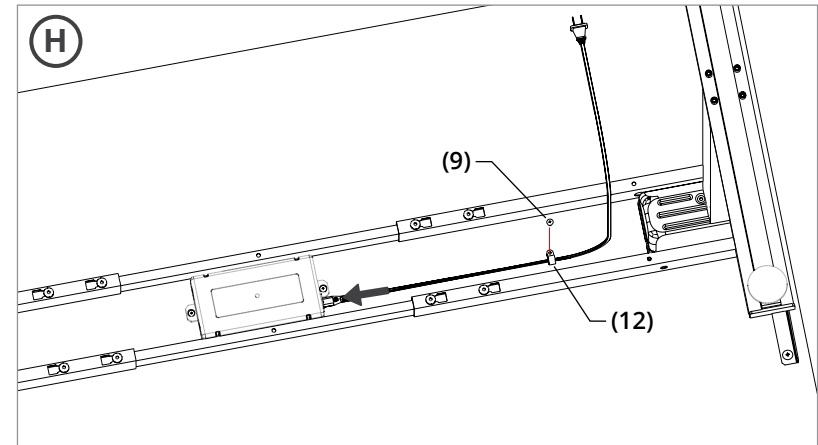
Place the worksurface face down on a clean surface, centering the frame. Once centered, fasten the support rail (B) to the surface using the  $\text{\O}5 \times 17$  (4) screws.



Place the support spacers (7) between the center cross rail and the worksurface. Fasten the rails to the worksurface using the  $\text{\O}4.5 \times 45$  (5) screws. **NOTE:** Ensure you use the correct length for each location.



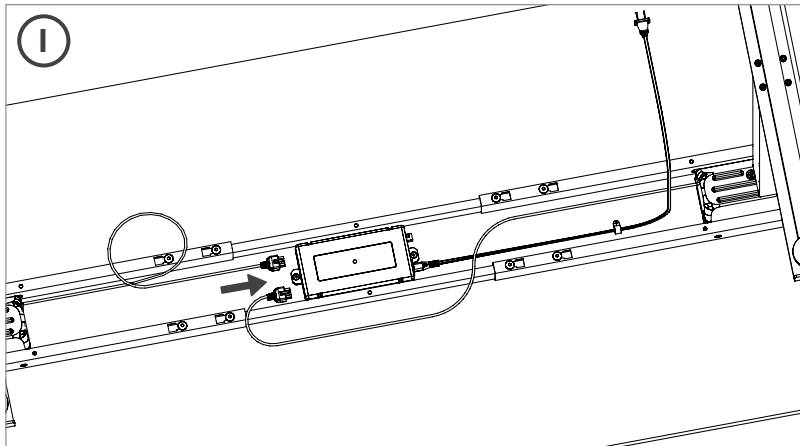
Secure the control box to the worksurface using the  $\text{\O}4.5 \times 16$  (9) screws.



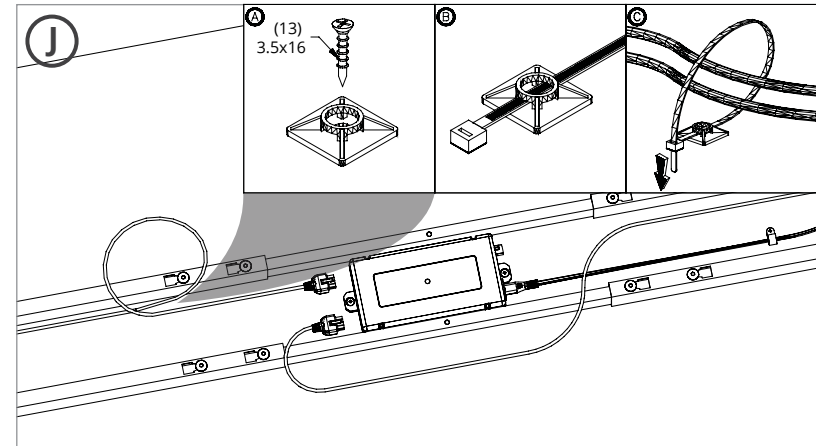
Plug the power cable into the control box securing excess cable with a cable clip (12) and a  $\text{\O}4.5 \times 16$  (9) screw.

# Agile Plus

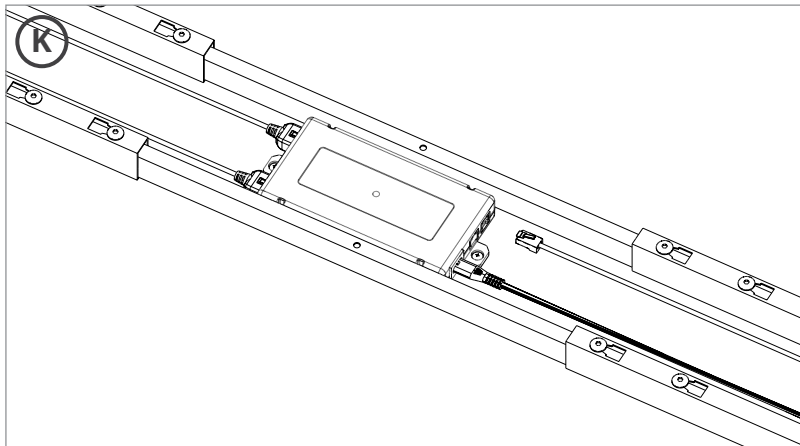
## Installation Guide



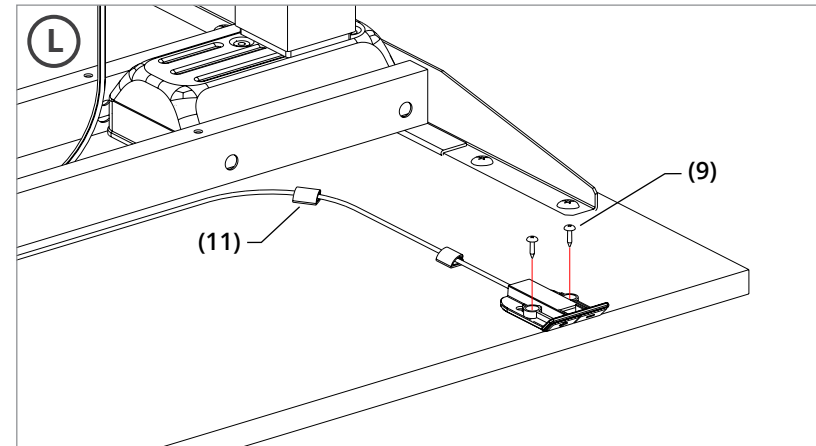
Connect both leg motors to the control box.



Tie up any loose cables using the cable ties as shown.



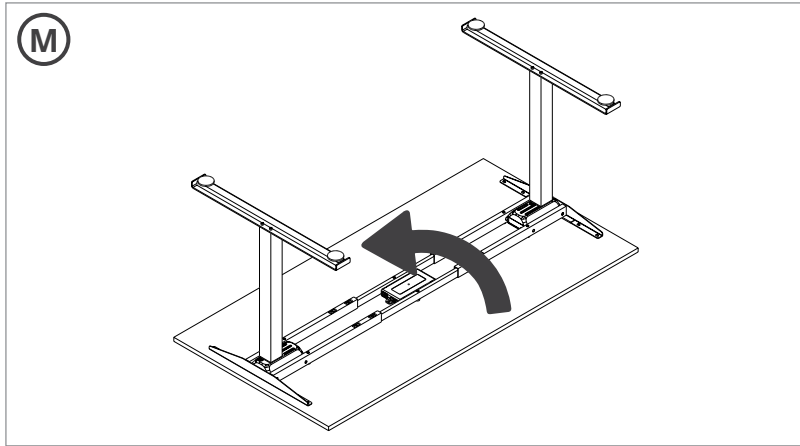
Connect the handset to the control box.



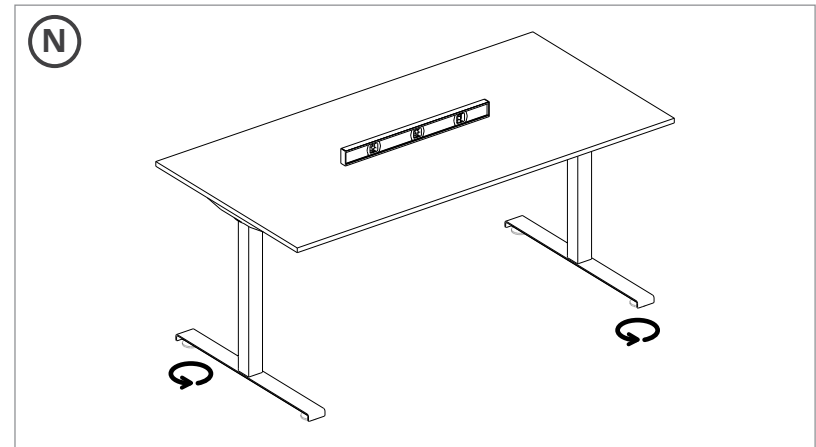
Fasten the handset to the worksurface using  $\varnothing 4.5 \times 16$  (9). Secure the cable using provided clips (8).

# Agile Plus

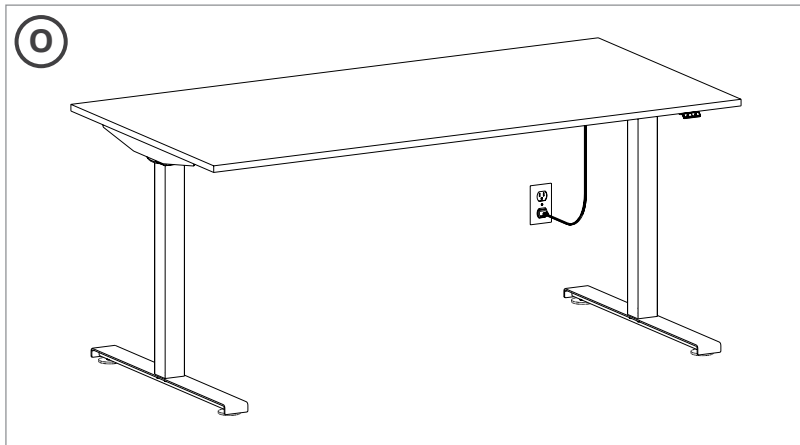
## Installation Guide



Rotate the table onto the feet.



Level the table by adjusting the levelling feet as needed.



Connect the desk to a power outlet. Installation complete!