

WORKSPACE48™

Electrical Overview



SPECIFICATION

4-2-2 Wiring Schematic

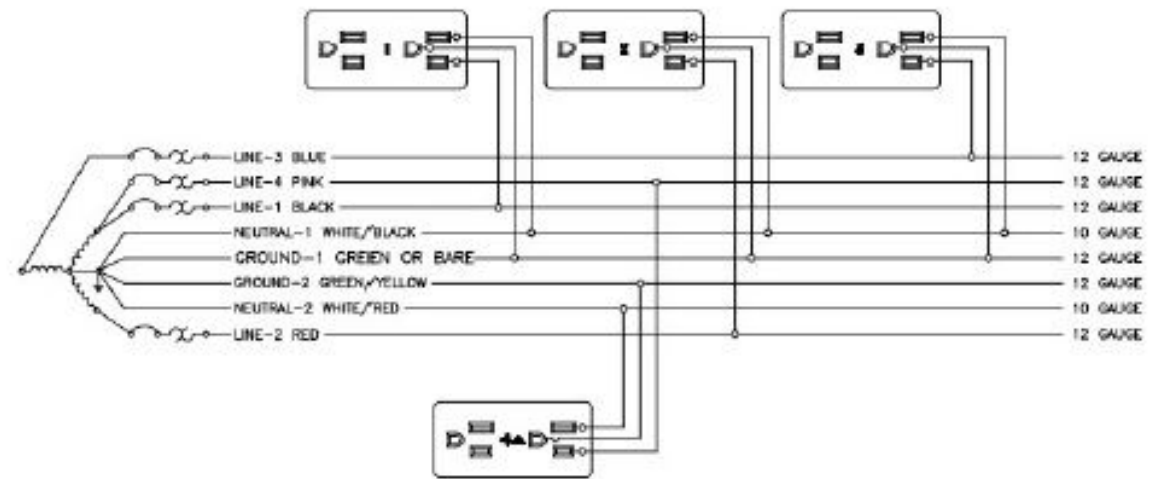
8-Wire Shared Neutral

"3 + 1" - 3 Utility circuits, 1 dedicated

120/208V WYE

Delta Connections & Other Receptacle Configurations Available

Above-desk, below-desk, and in-desk power access*



WIRING ORDER 8-WIRE
4-2-2 (3 + 1)
DISTRIBUTION END VIEW

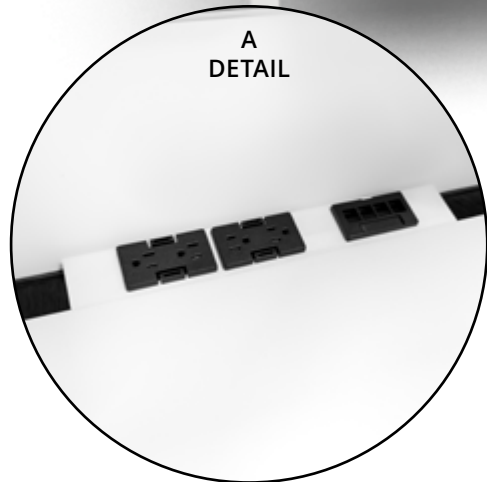
WIRING ORDER 8-WIRE
4-2-2 (3 + 1)
PLUG END VIEW



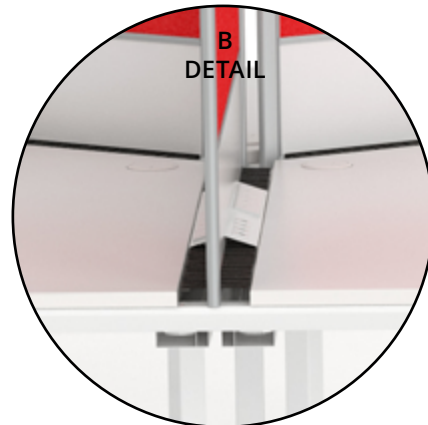
*Below desk power access only for single sided applications. Optional grommet access available on request.

Fixed Desking Power





A
DETAIL



B
DETAIL



POWER & DATA: Two and four outlet power options. Above and below desk configurations



COMSEAL CABLE BRUSH: Conceals cables in the tray at the back of the worksurface



CABLE COBRA: Conceals cables from the cable tray to the floor

SPECIFICATIONS

- Available with one or two duplex options.
- Includes a data faceplate in both double and single-sided power options.
- Double-sided desks have above desk hardwire power access. Single Sided Desks have below desk power access.
- Option for 4 different circuits.
- Phone and internet will be provided by dealer or customer's own IT provider.
- Single-sided desks have option for work surfaces with grommets.
- Power poles not supplied by Workspace48
- NYC and Chicago infeeds available on request

Fixed Desking Power

Power Infeed

Power source from the floor, wall or ceiling. Available in several lengths to accommodate distance to power source

Jumper

Jumps power from one connector block to another or between stations. Available in lengths to accommodate workstation widths

Connector Block

Provides 4 inputs to connect power from the source to each duplex or additional stations and connector blocks

Duplex

Receptacle containing 2 outlets. This provides power above or below the surface as well as in a cable tray

Cable Cobra

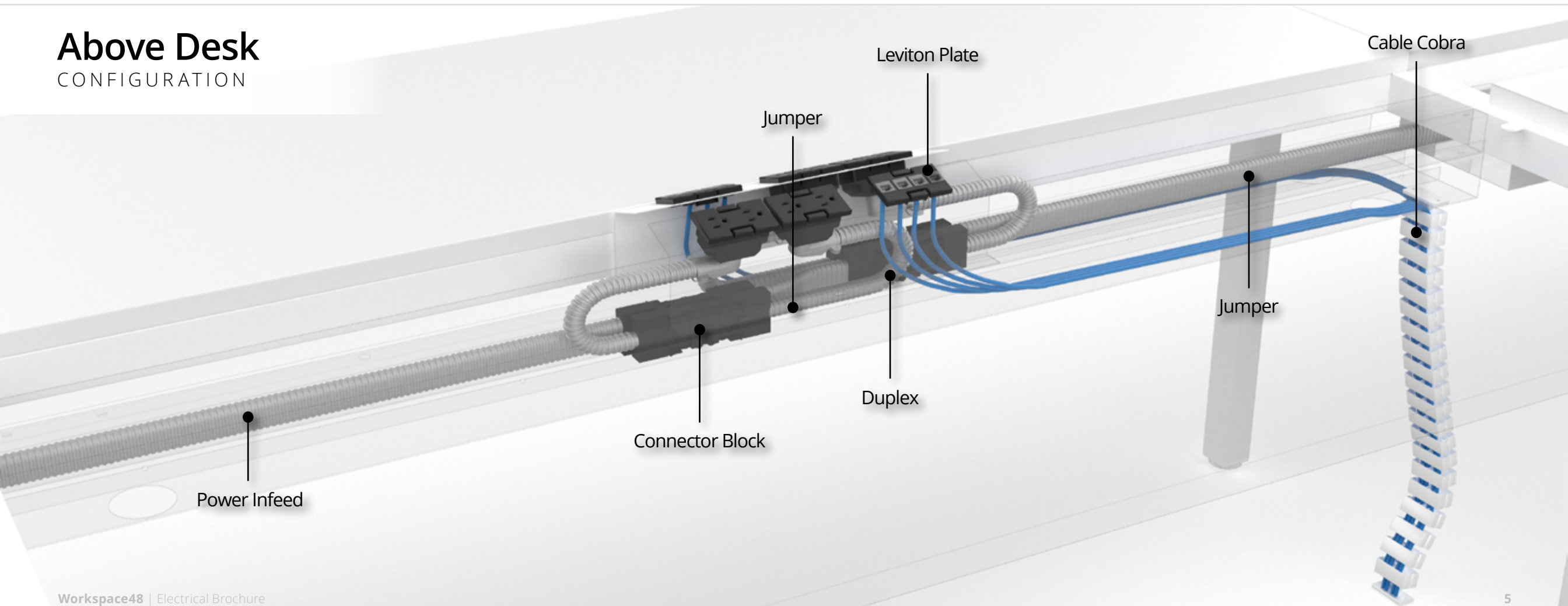
Wire manager concealing cables from the cable tray to the wall or floor

Leviton Plate

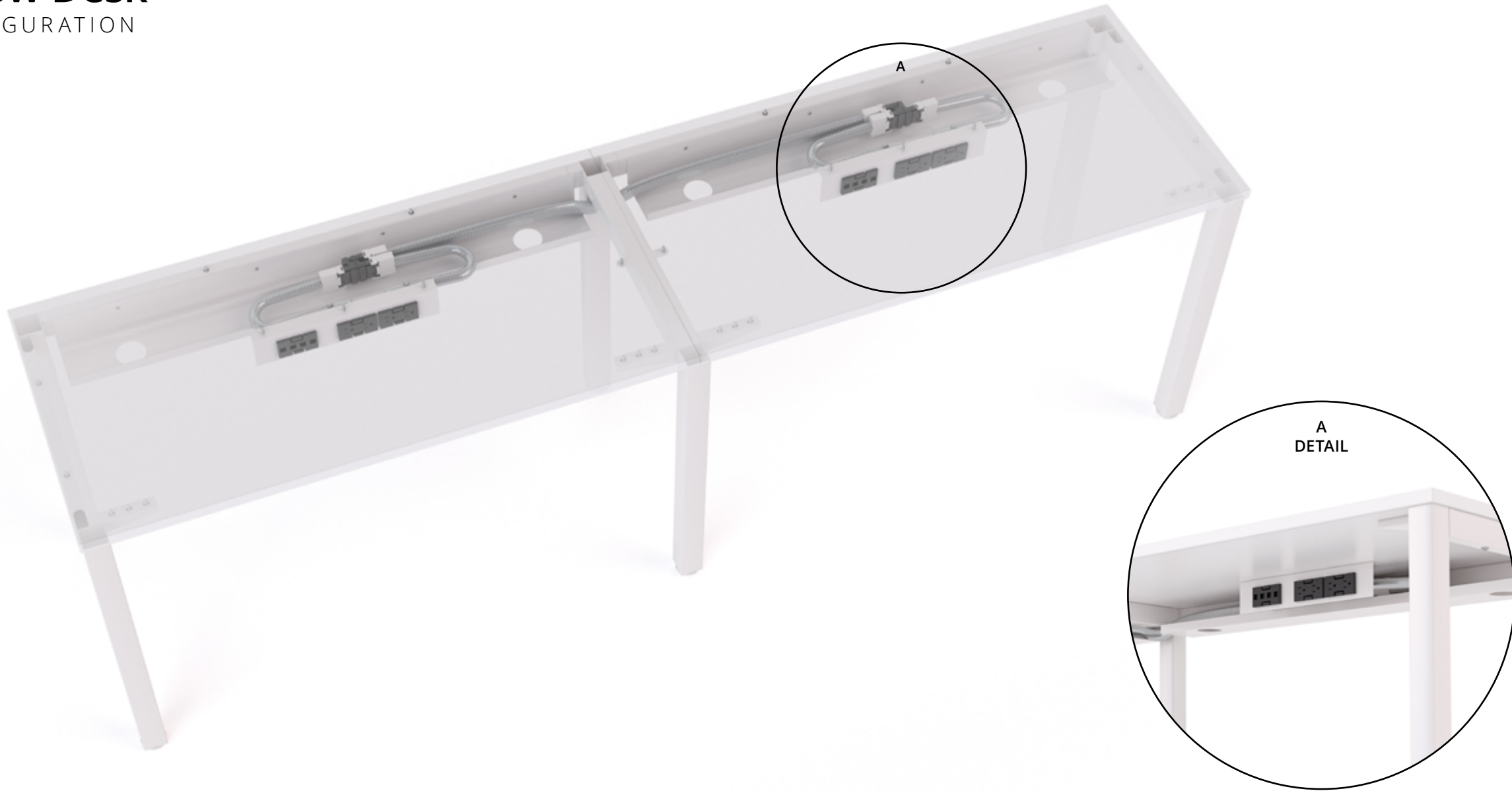
Provides for work area commercial-grade telephone and data patching

Above Desk

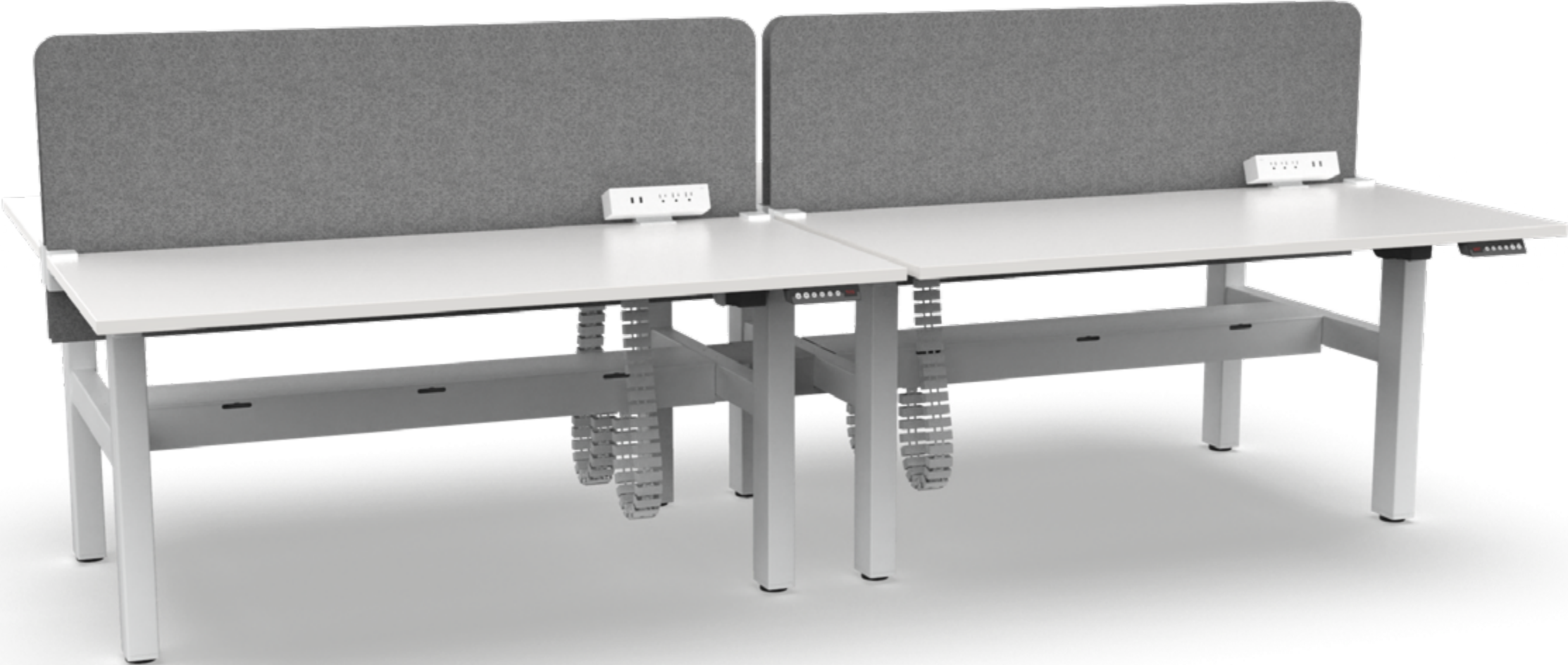
CONFIGURATION



Below Desk CONFIGURATION



Height Adjustable Desking

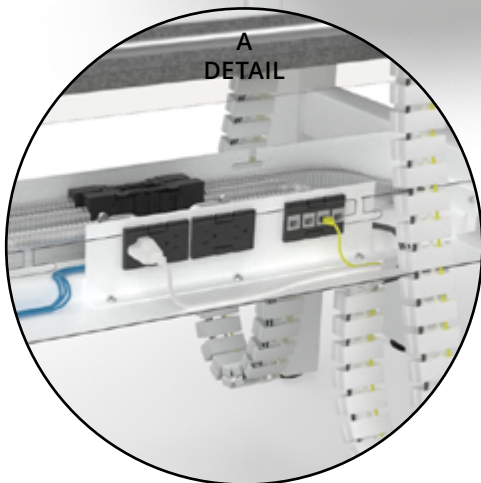
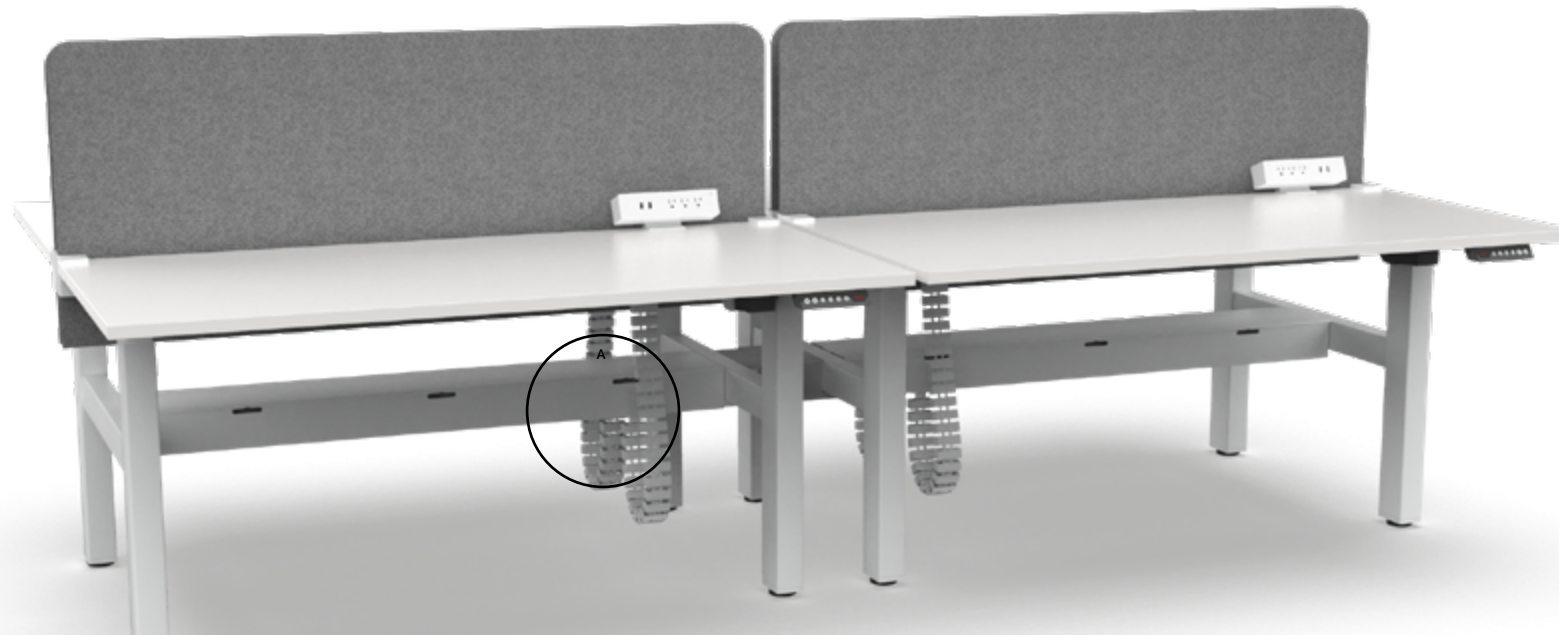


Height Adjustable Desking



SPECIFICATIONS

- Available with one or two duplex options.
- Includes a data faceplate in both double and single-sided power options.
- Option for 4 different circuits.
- Phone and internet will be provided by dealer or customer's own IT provider.
- Power poles not supplied by Workspace48
- NYC and Chicago infeeds available on request



POWER & DATA: Two and four outlet power options. In-tray configurations only. See pg 9 for configuration details.



VOLTRA POWER MODULE: 3 outlets, 2 USB desktop power module option.



CABLE BRIDGE: Joins the cable trays between workstations to conceal cables.



CABLE COBRA: Conceals cables from the desktop to the cable tray.



ELECTRAY: Optional cable tray fastens to the underside of a work-surface to hold cables and power adapters.



Height Adjustable Desking

Power Infeed

Power source from the floor, wall or ceiling. Available in several lengths to accommodate distance to power source

Jumper

Jumps power from one connector block to another or between stations. Available in lengths to accommodate workstation widths

Connector Block

Provides 4 inputs to connect power from the source to each duplex or additional stations and connector blocks

Duplex

Receptacle containing 2 outlets. This provides power above or below the surface as well as in a cable tray

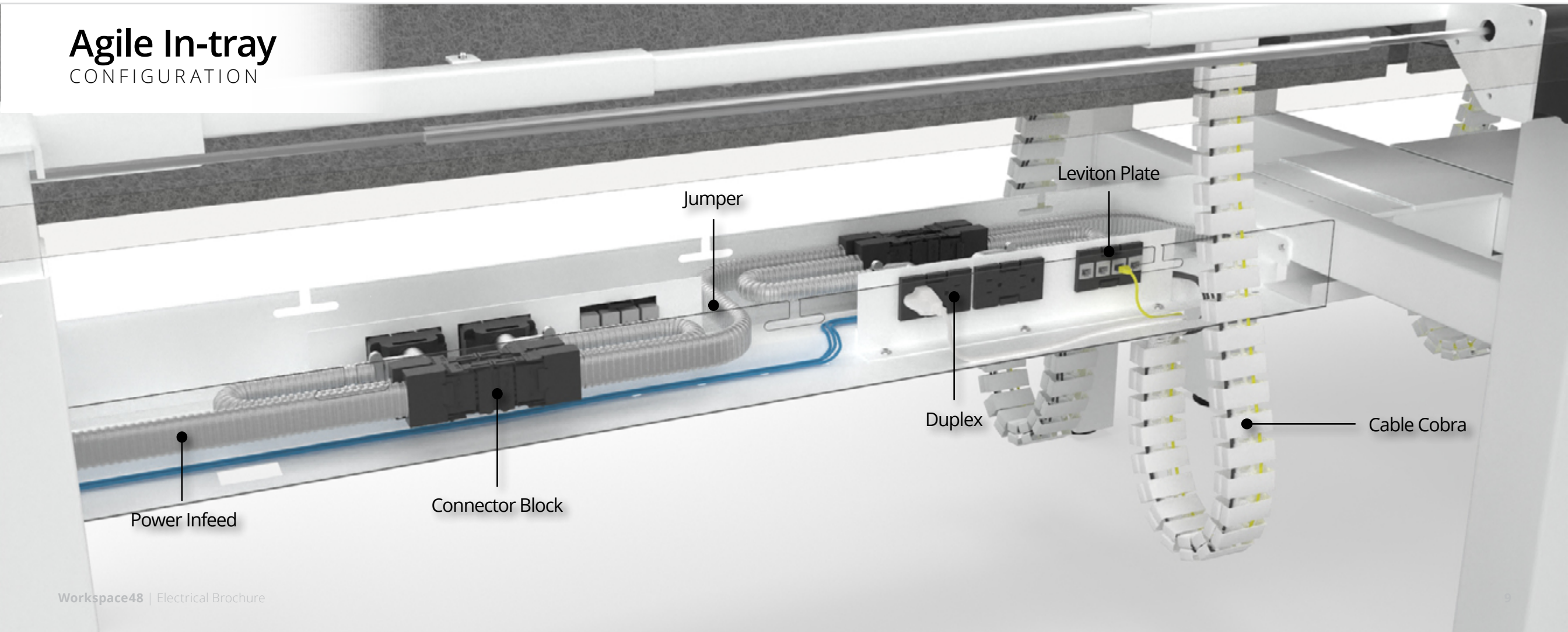
Cable Cobra

Wire manager concealing cables from the cable tray to the wall or floor

Leviton Plate

Provides for work area commercial-grade telephone and data patching

Agile In-tray CONFIGURATION



AGILE HARDWIRE CONFIGURATIONS

Single-sided Desk, In-tray Twin (1 Duplex) Power



Single-sided Desk, In-tray Quad (2 Duplexes) Power



Double-sided 4-Pod, In-tray Twin (1 Duplex) Power



Double-sided 4-Pod, In-tray Quad (2 Duplexes) Power



Conference Tables



Conference Tables

Interact Power Module

Provides power at the surface. Includes 2 outlets, 1 RJ11, and 1 RJ45. Custom telecom plates available on special order

Power Cord

108" Power cord connects to power source in the floor.

Cable Cobra

Wire manager concealing cables from the cable tray to the wall or floor



Modulus Table

CONFIGURATION

