

motionoffice

Cape Meeting Assembly Instructions



PARTS LIST:

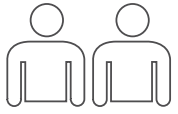
- MSP901413
- MBP1412 x 2
- MCOV14
- MCBASE14 x 2
- MBACK14 x 2
- MCMTOP
- TABLE BASE

COMPONENTS LIST:

- 10 - Pins
- 2 - Worktop Brackets
- 3 - Worktop Bracket Screws
- 8 - Plates
- 33 - Plate Screws
- 7 - Wood Screws
- 1 - Allen Key

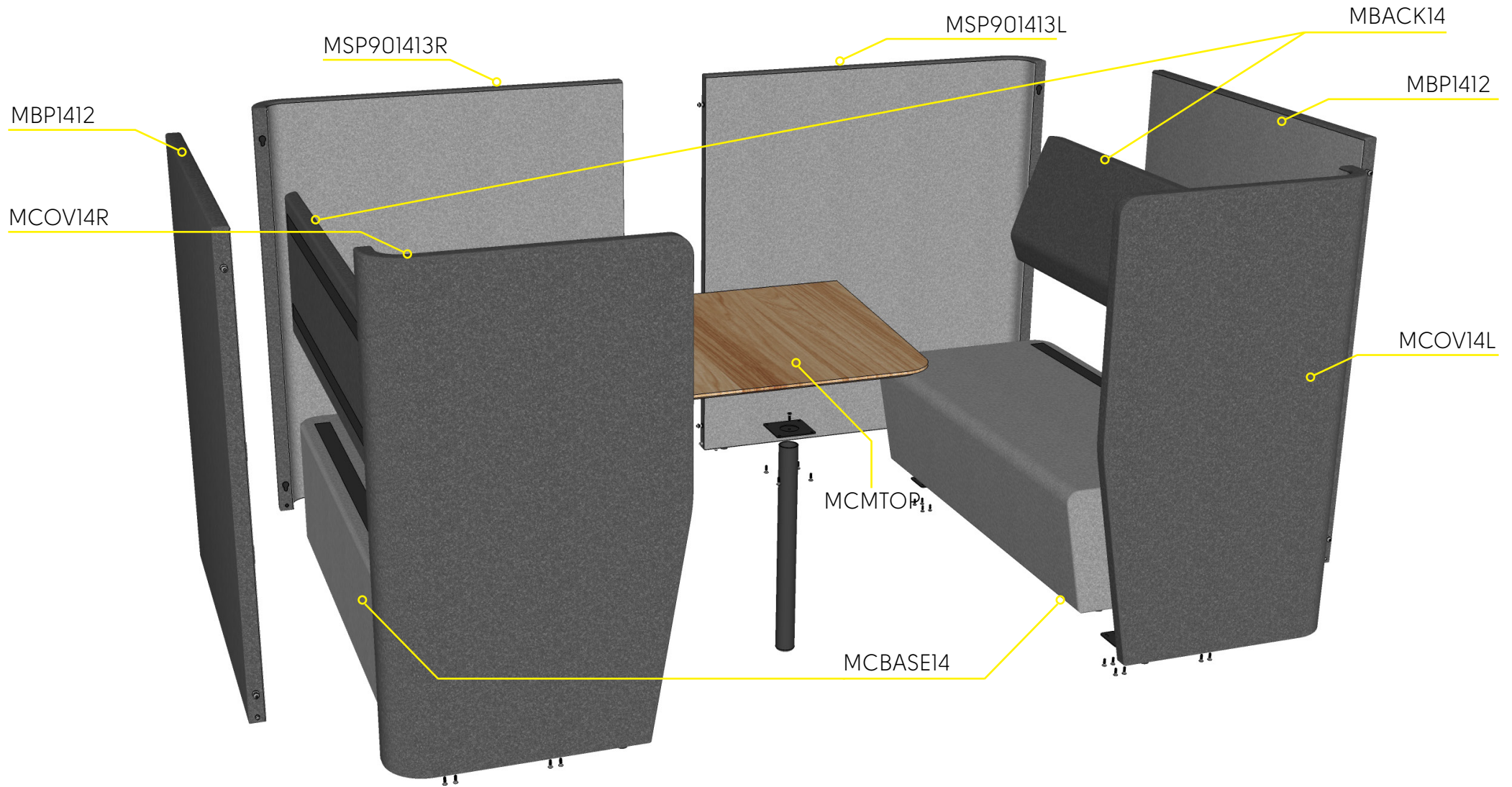


Cape Meeting Assembly Instructions

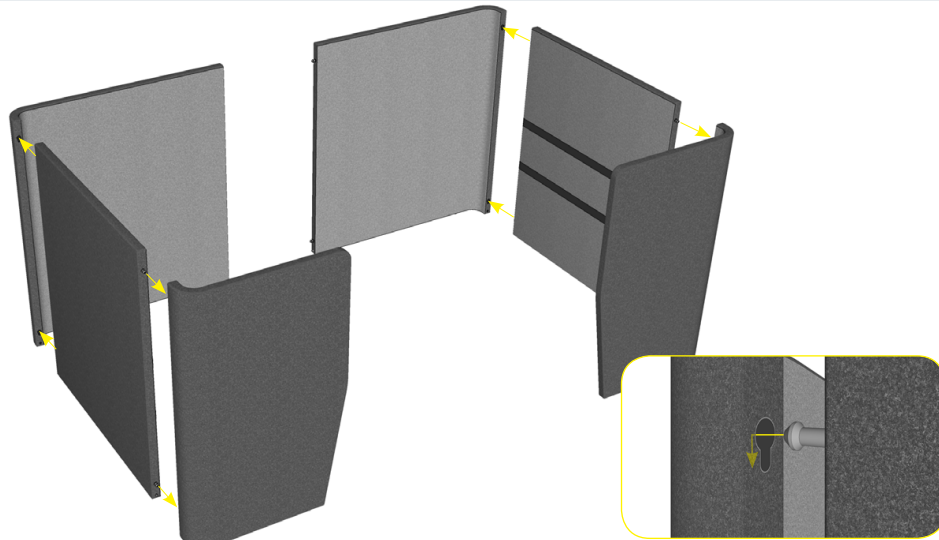


Recommended
2-person Step

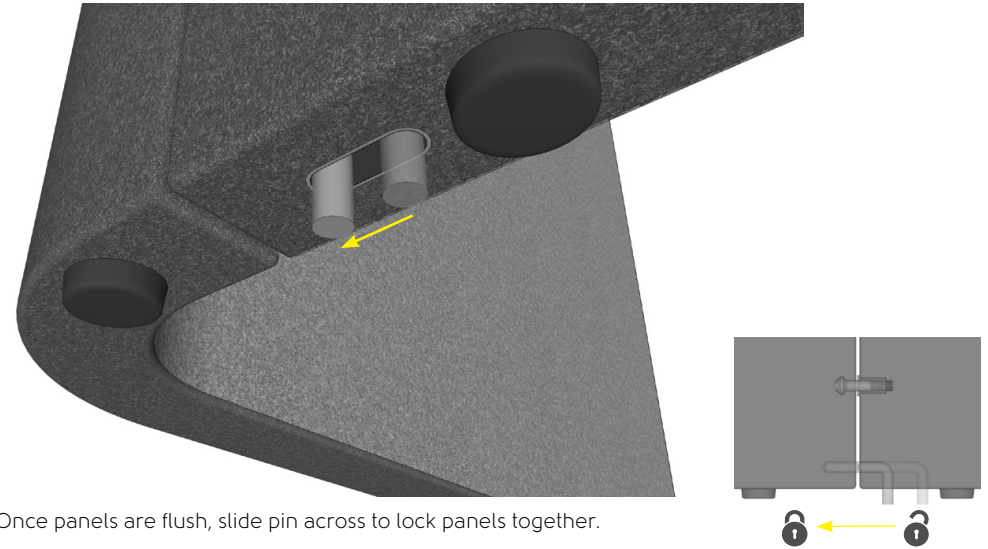
To prevent possible scratches or damage, assemble the product on a soft surface such as a blanket, carpet or packaging.



Cape Meeting Assembly Instructions

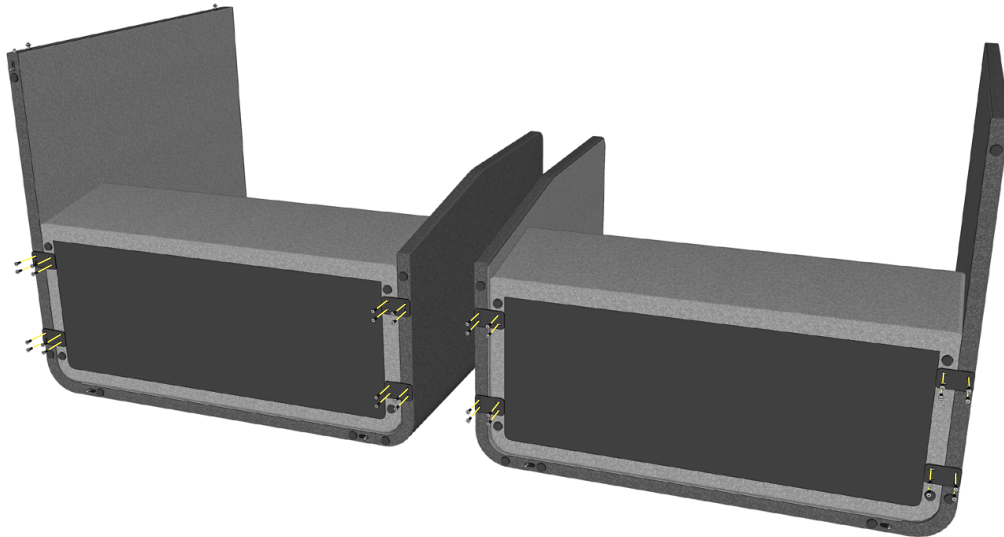


1 Insert Pins into keyholes, slide down until top is flush.

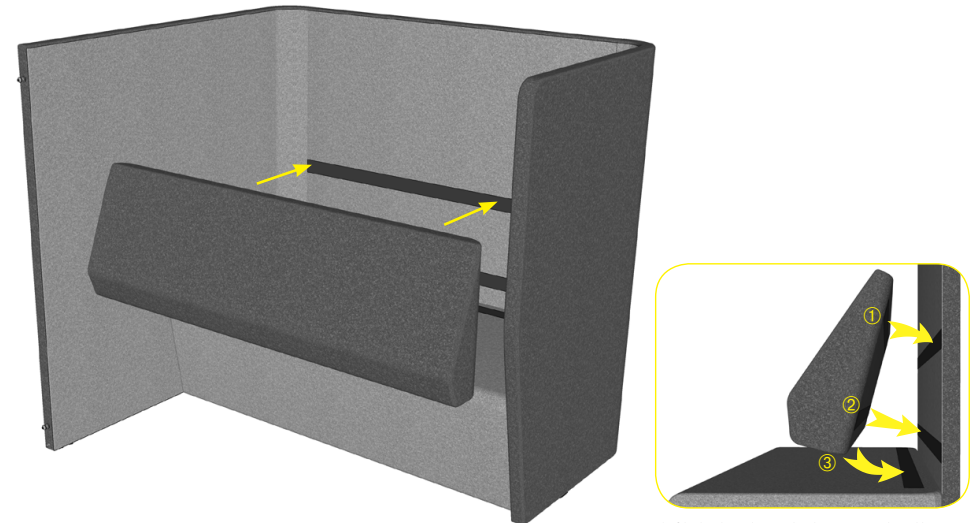


2 Once panels are flush, slide pin across to lock panels together.

3 Lie the panel on their back and place seat base inside, then screw plate to panels and seat base to fix firmly.

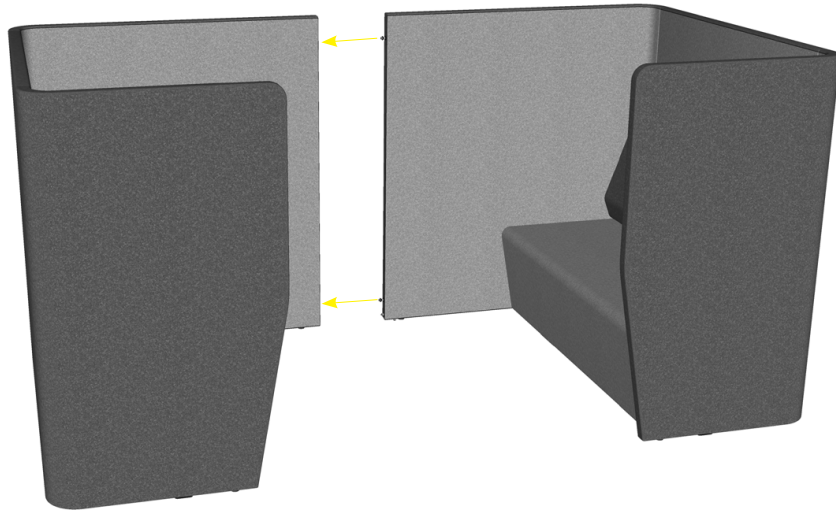


4 Locate the velcro strips on the backrest & the roof with those on the panels.



* Slide back rest along seat with top racked forward to fasten upper velcro set first.

Cape Meeting Assembly Instructions

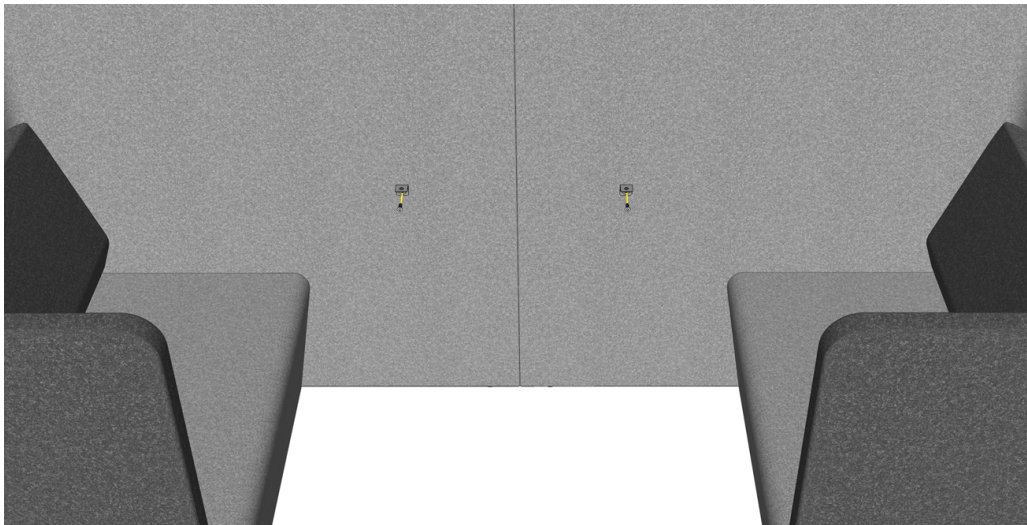


5 Join the two side panels together as step 1 & 2 above.



6 Fix plate to the table leg, then screw the worktop to the plate using wood screws.

7 Fix the brackets into the T-nut holes on the panels.



8 Place the worktop onto the fixed brackets, then screw the worktop to the brackets using wood screws.

