

# *Orbit Mobile Divider*

## Installation Guide

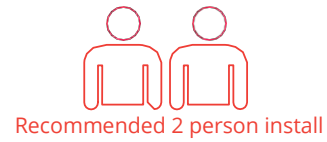
---



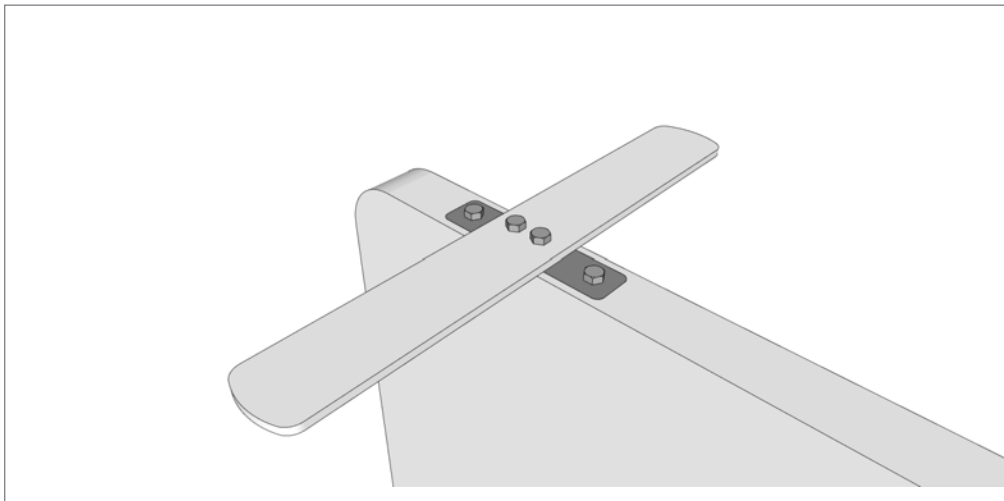
# Orbit Mobile Divider

## Installation Guide

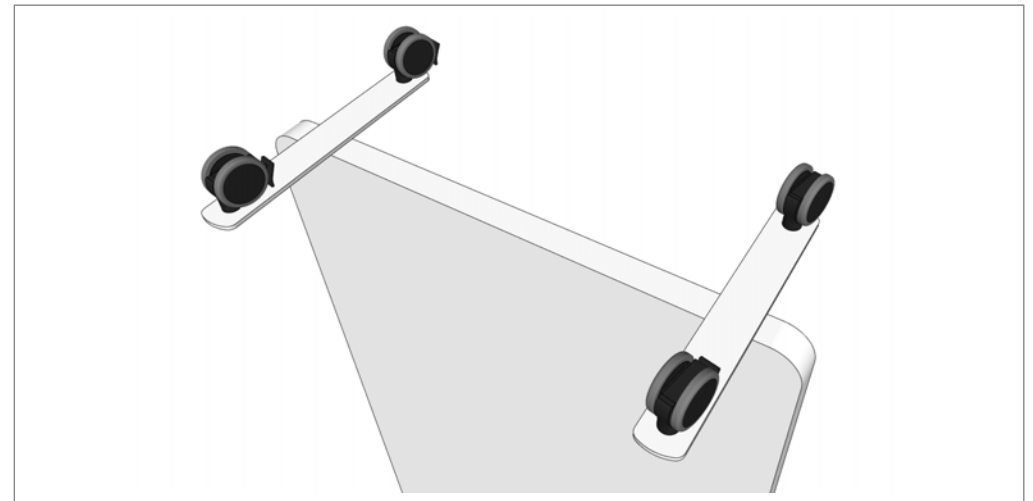
\* To prevent possible damage, assemble in an open area.



\* Equipment Required: Wrench Set



**STEP 1:** Fasten metal foot with to L-Bracket pre-installed in panel, using the 4 x 1/2" long hex bolts provided



**Step 2:** Push Casters onto stems. If divider is Whiteboard, ensure to pull off plastic cover. Install is now complete!