

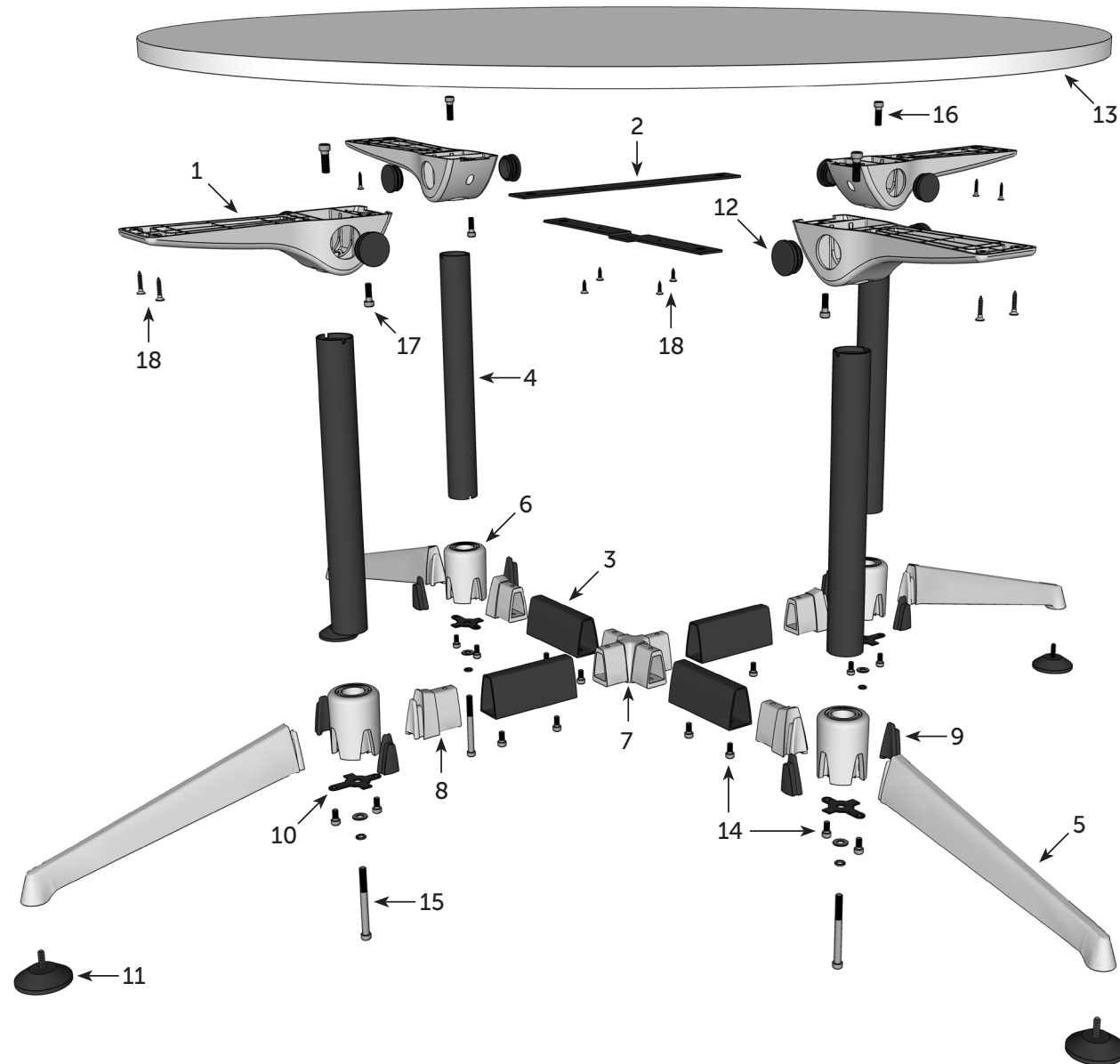
Modulus Four Post Pedestal Table

Installation Guide

TOOLS REQUIRED: Powered screwdriver.

Modulus Four Post Pedestal Table

INSTALLATION GUIDE



COMPONENTS

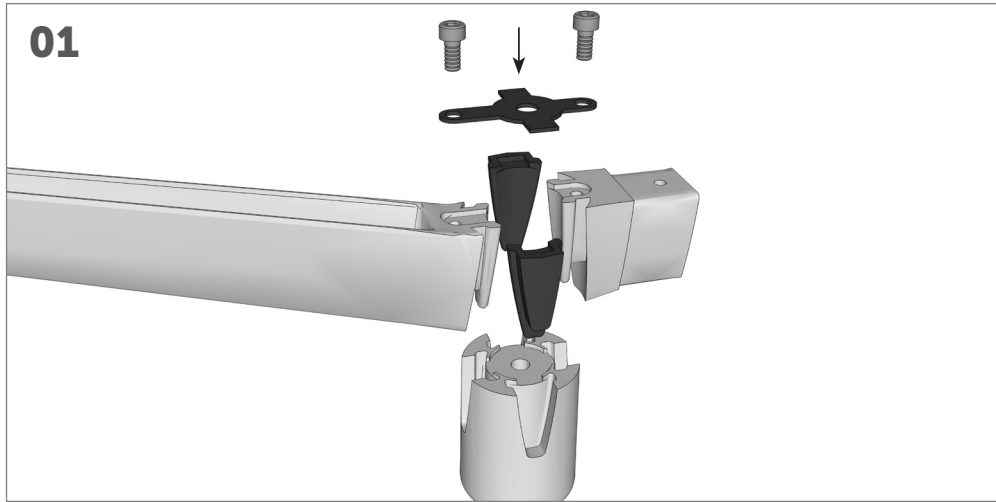
- 1 Die Cast Upper Wrist x4
- 2 Steel Strap x2
- 3 T Tube x4
- 4 Feet Tube x4
- 5 Large Foot x4
- 6 Cross Collar x4
- 7 Cross Connector x1
- 8 T Tube & Collar Connector x4
- 9 Cross Collar Plug x8
- 10 Minus Gasket x4
- 11 Foot Glide x4
- 12 Top Rail Cap x8
- 13 Table Top x1

SCREWS

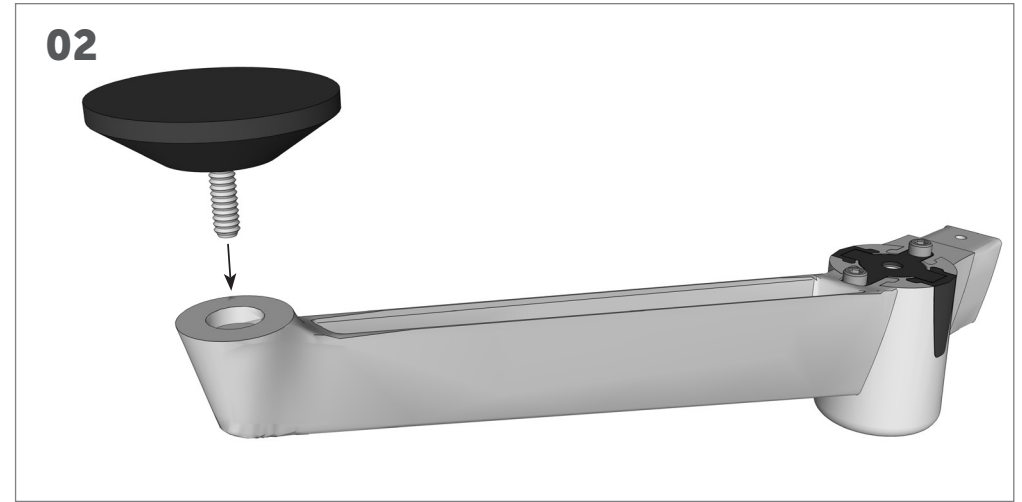
- 14 M8x16mm x16
- 15 M10x110mm x4
- 16 M10x30mm x4
- 17 M6x25mm x4
- 18 M5x20mm Self Tapping x12

Modulus Four Post Pedestal Table

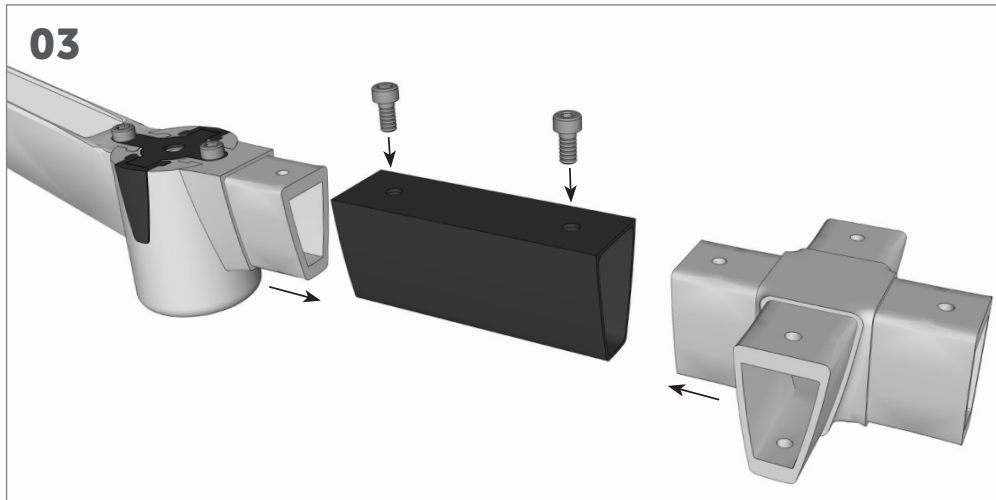
INSTALLATION GUIDE



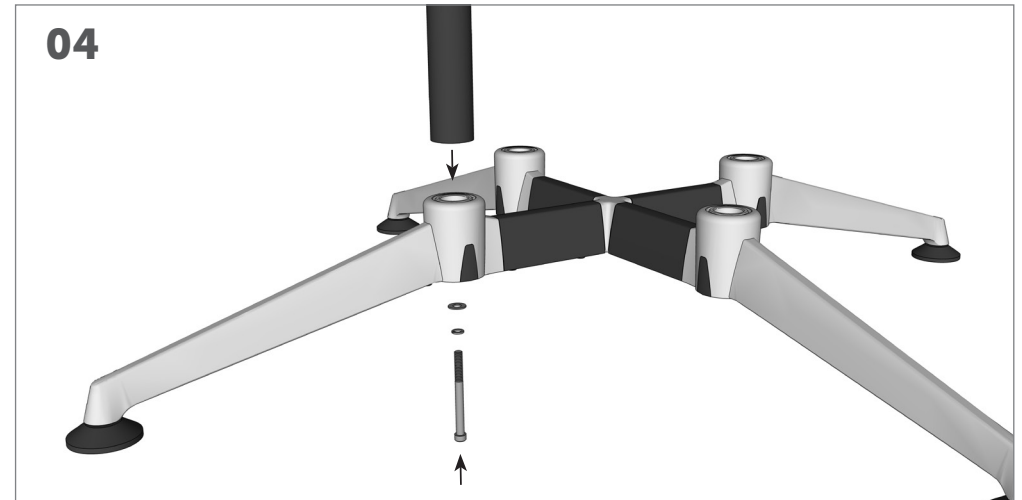
01 Slide the large foot, T connector and 2 cross collar plugs into the cross collar, place the minus gasket on top, and fully tighten the 2 bolts into the collar. *(Repeat with all 4 legs)*



02 Screw the 4 glides into the base of the large feet, leaving the glides one turn from tight (then they can be adjusted easily if the floor is uneven).



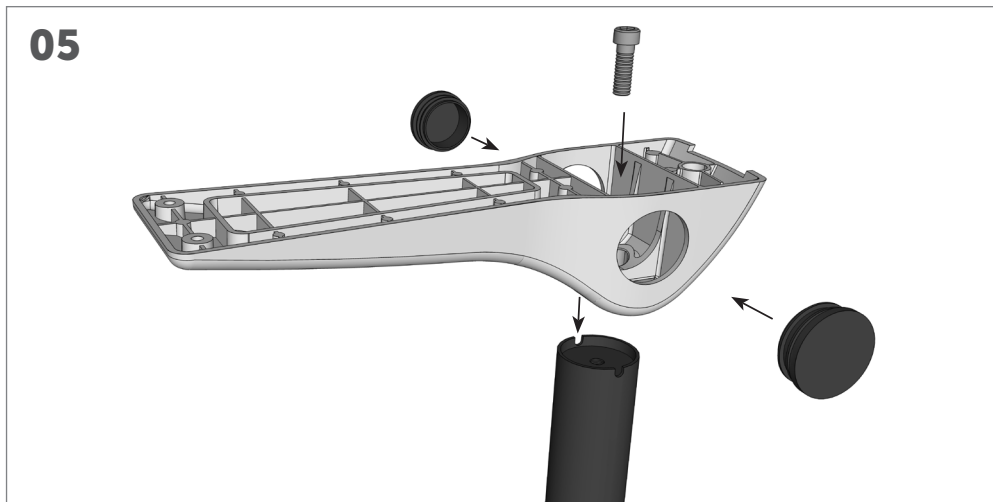
03 With all 4 feet assembled, connect them to the T tube and cross connector using M8x16mm bolts.



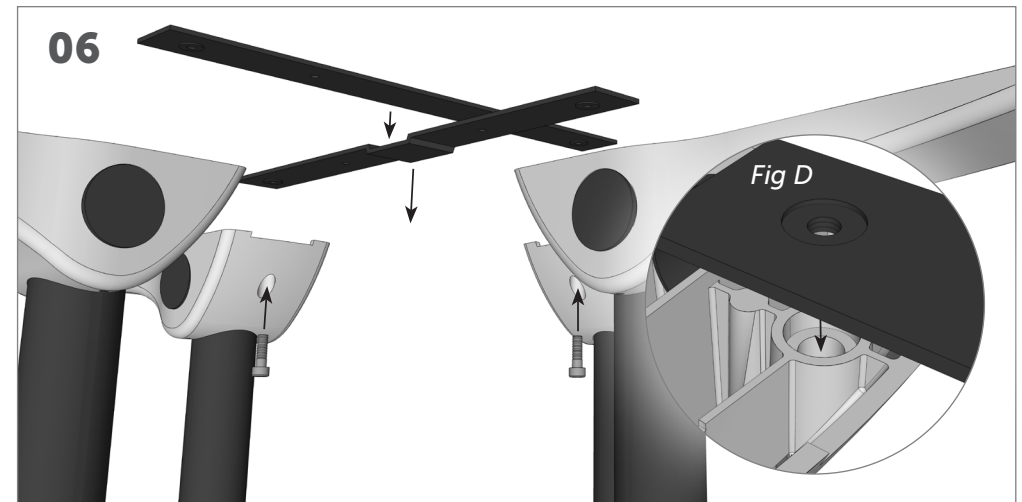
04 Place the 4 feet tubes onto the cross collars. Fully tighten to maximum tension M10x110mm bolts, spring washer and flat washer, that hold the feet tube onto the cross collar. *(Repeat with all 4 tubes)*

Modulus Four Post Pedestal Table

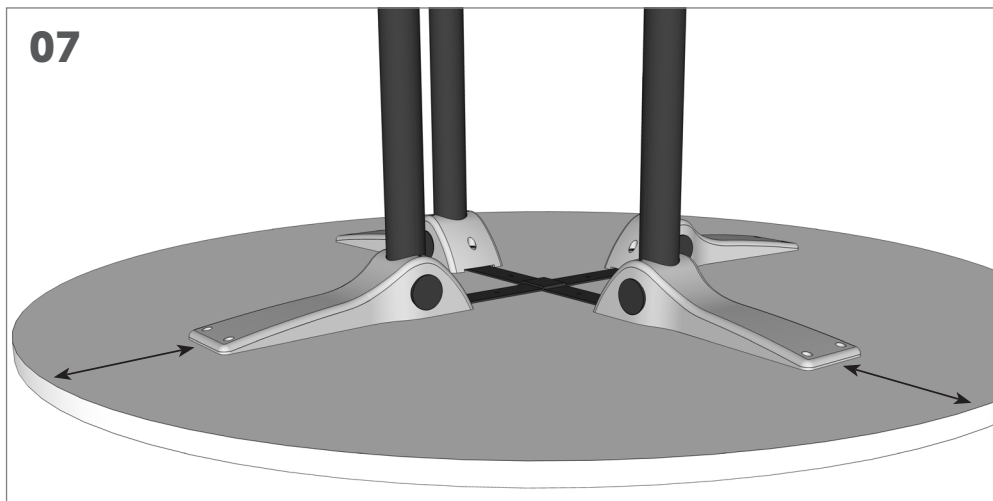
INSTALLATION GUIDE



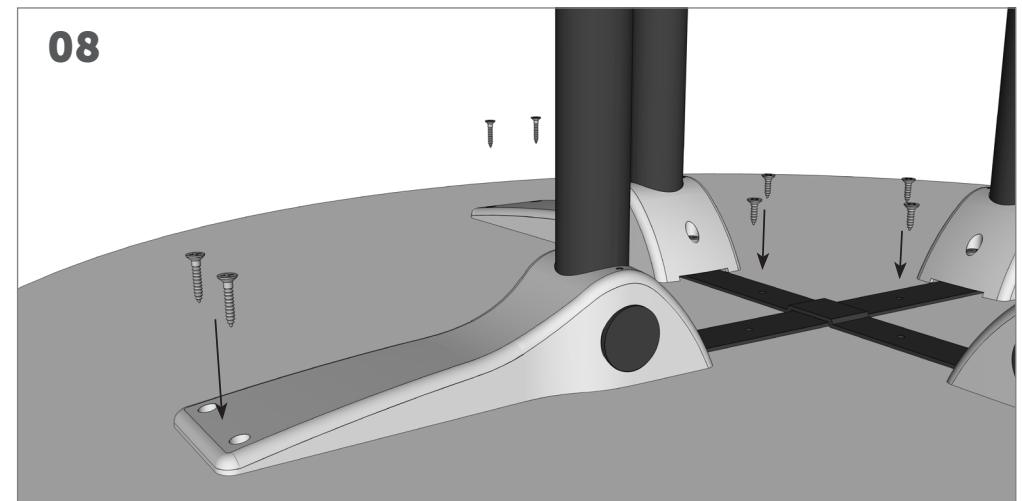
Place each upper wrist on top of the feet tubes. Place the top rail caps into the large holes. Fully tighten to maximum tension M10x30mm bolts to hold the upper wrist in place.



Place the 2 steel straps onto the upper wrists, with the raised areas of the straps slotting into the holes on the upper wrist, **Fig D**. Fully tighten to maximum tension the M6x25mm bolts, locking the upper frame into place.



Carefully place the assembled frame upside down on top of the work surface. Measure the distance from the upper wrist to the edge of the work surface, and make sure the frame is centered over the work surface.



Screw the M5x20mm self tapping screws into the work surface, located on the upper wrist and steel straps.

Modulus Four Post Pedestal Table

INSTALLATION GUIDE

