

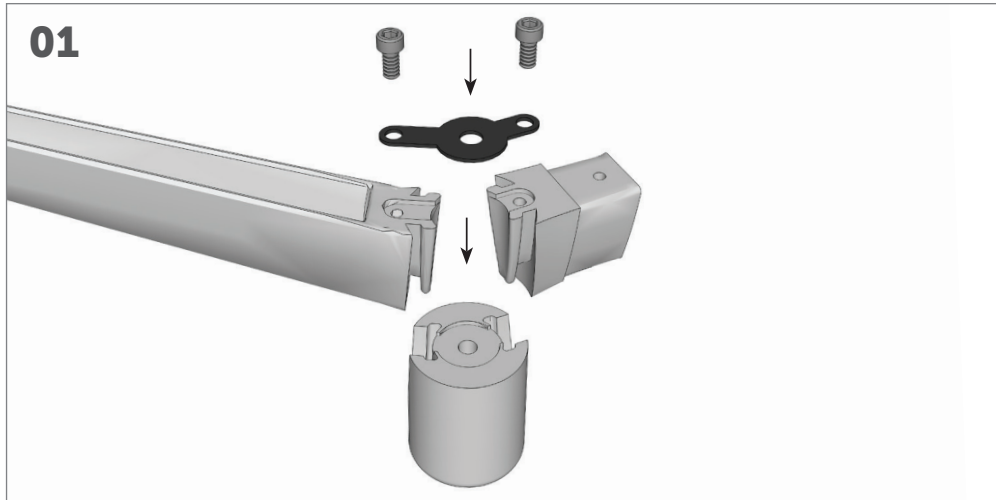
Modulus Twin Pole Single Span Table

Installation Guide

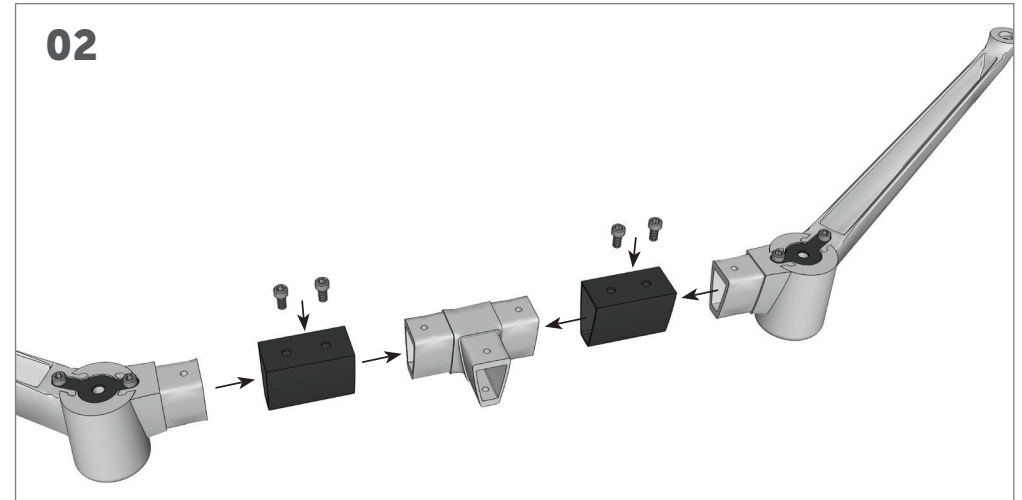
TOOLS REQUIRED: Powered screwdriver.

Modulus Twin Pole Single Span Table

INSTALLATION GUIDE



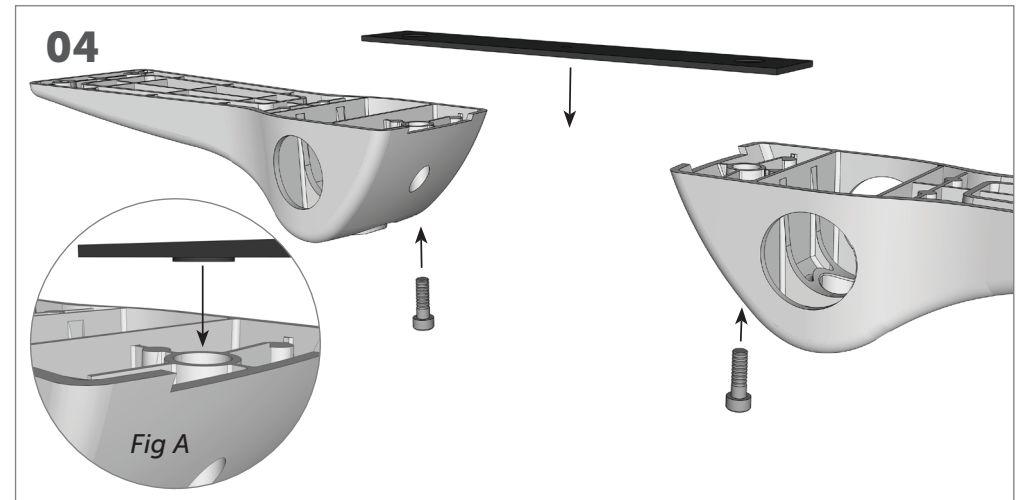
Slide the large foot and T tube connector into the collar, place the 150° gasket on top, and fully tighten the 2 M8x16mm bolts into the collar. (Repeat with all 150° collars)



Using 2 T tubes, connect the assembled corner feet to the bottom T connector, and fully tighten the 4 M8x16mm bolts. (Repeat with all 150° feet)



Screw all glides into the base of the large feet, leaving the glides one turn from tight (then they can be adjusted easily if the floor is uneven).



Place the steel strap onto the upper wrists, with the raised areas of the straps slotting into the holes on the upper wrist, **Fig A**. Fully tighten the M8x25mm bolts. (Repeat with all upper wrists and steel straps)

Modulus Twin Pole Single Span Table

INSTALLATION GUIDE

05



Place a feet tube on top of each collar, and the upper wrist assembly on top of the feet tubes. Fully tighten the M10x30mm bolts through the upper wrists, and M10x110mm bolt, spring washer and flat washer through the collars.

06



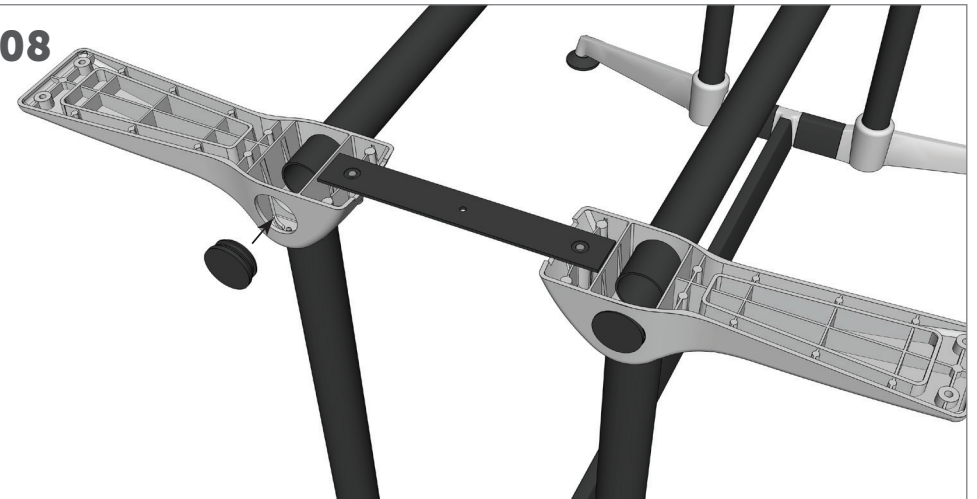
Place the assembled leg sets together using the bottom rail, and fully tighten the M8x16mm bolts to lock all legs together.

07



Slide each top rail through the upper wrists, making sure they are located in the centre of the frame.

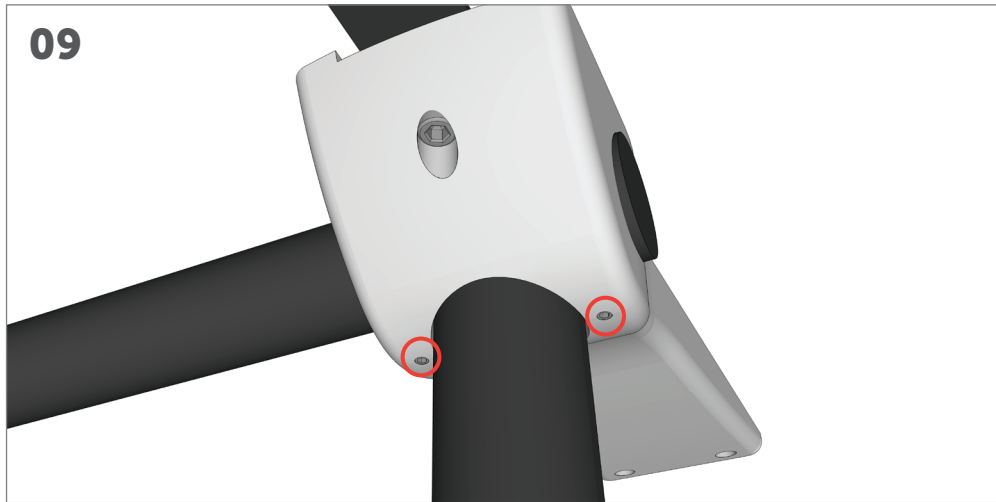
08



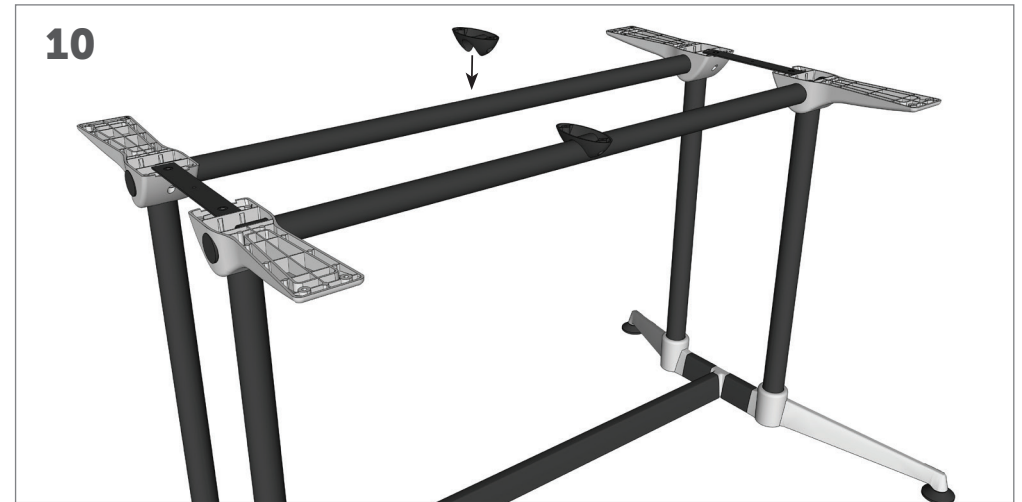
Place the top rail caps into the exposed holes on each end of the frame assembly.

Modulus Twin Pole Single Span Table

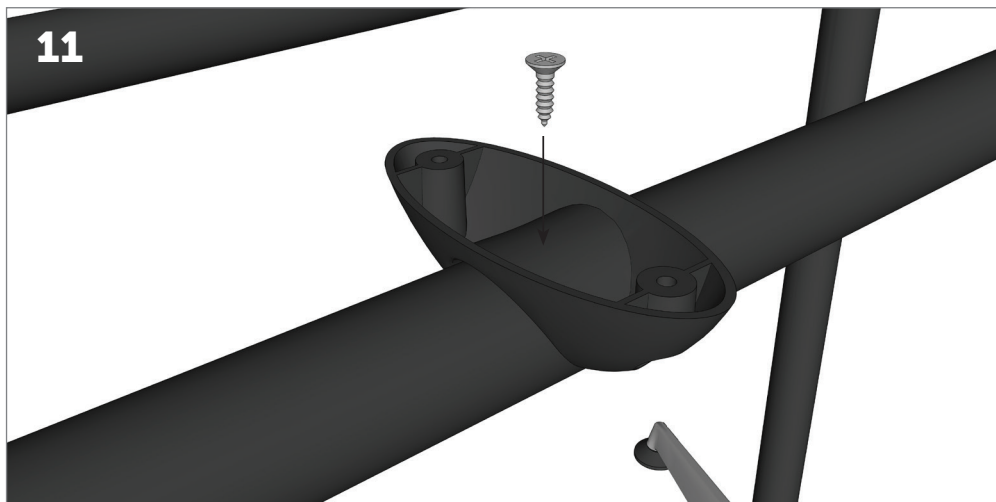
INSTALLATION GUIDE



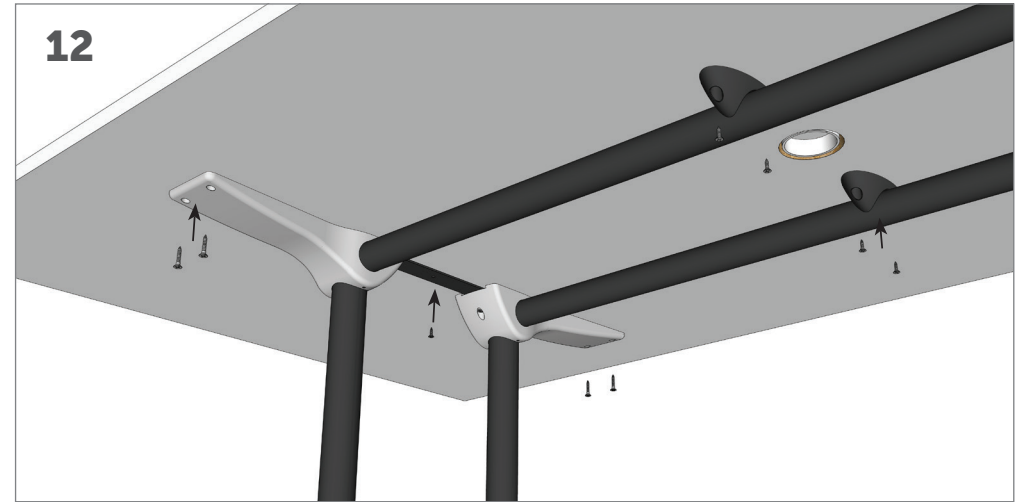
Tighten all small grub screws located on the bottom of each upper wrist.



Snap the plastic support brackets onto the centre of each top rail. The frame assembly is now complete.



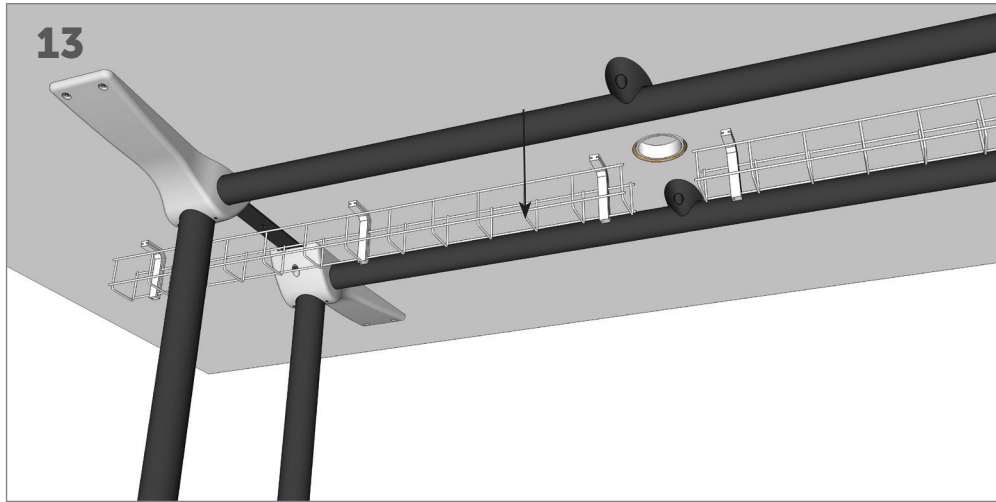
Optional: For extra strength, the plastic support brackets can be screwed onto the top rails.



Fully tighten all M5x30mm screws through each upper wrist into the work surface. Fully tighten all M5x20mm screws through each steel strap and plastic support into the work surface.

Modulus Twin Pole Single Span Table

INSTALLATION GUIDE



Attach cable baskets to the underside of work surface using the instructions supplied.

