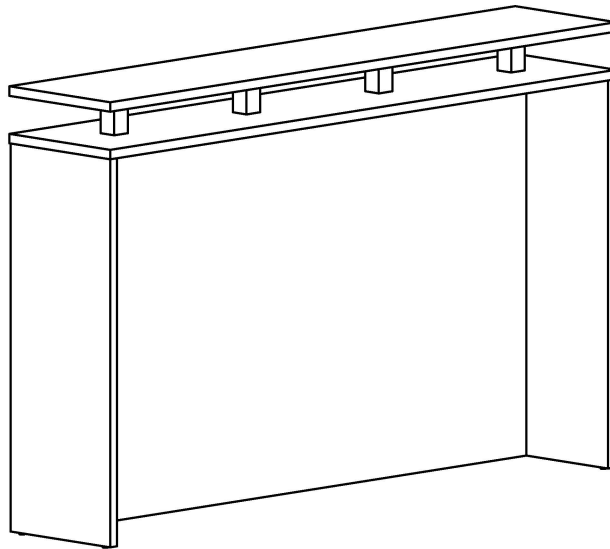


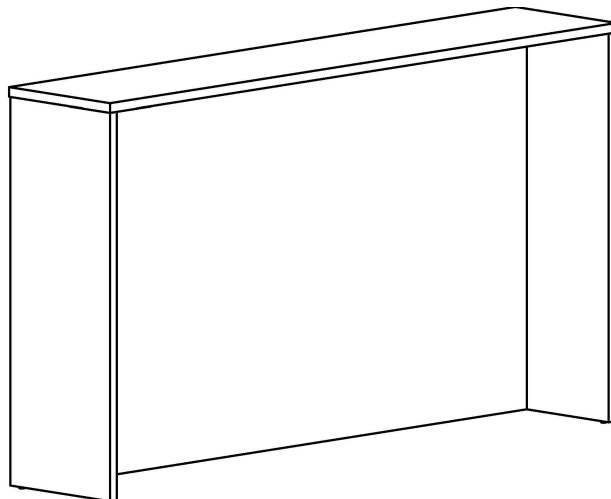
AXIS Reception Counter

ASSEMBLY INSTRUCTIONS - AXRPDN18 & AXRDN18

OPTION 1 (see page 4-6)

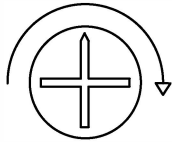


OPTION 2 (see page 7-9)



AXIS Reception Counter

ASSEMBLY INSTRUCTIONS - AXRPDN18 & AXRDN18

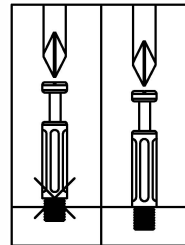


The turning direction of attaching

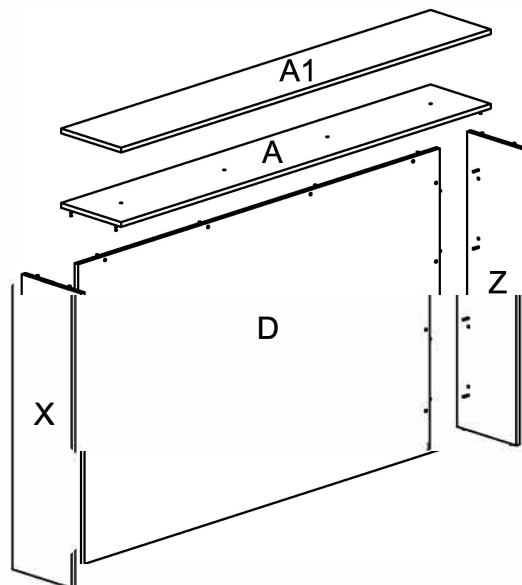


The arrow direction=front

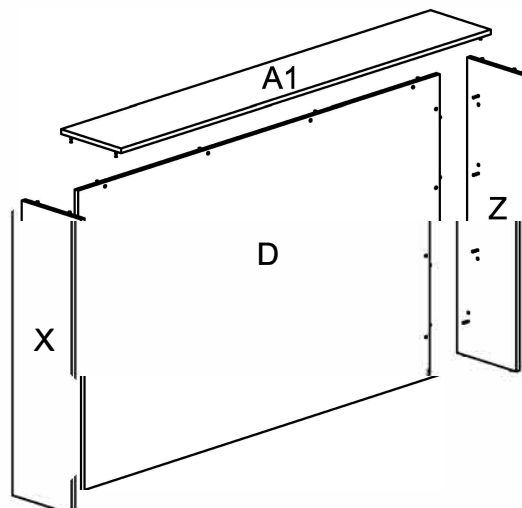
Incorrect Correct



OPTION 1



OPTION 2



AXIS Reception Counter

ASSEMBLY INSTRUCTIONS - AXRPDN18 & AXRDN18

PARTS LIST

ITEM	DESCRIPTION	QTY.	ITEM	DESCRIPTION	QTY.
A1	Top panel	1	(c1)	6*35 Cam Bolt	16
A	Top panel	1	(d1)	8*30 Dowel pin	16
X	Left side panel	1	(c2)	(5/8") Cam Cover	16
Z	Right side panel	1	(p15)	Metal Stand	4
D	Back panel	1	(w1)	Washer	4
			(s20)	6*90 Hexagon Fix Bolt	4
			(s15)	Spanner	1



(c1) 6*35 Cam Bolt-16



(d1) 8*30 Dowel Pin-16



(c2) (5/8") Cam Cover-16



(p15) Metal Stand -4



(w1) Washer-4



(s20) 6*90 Hexagon Fix Bolt-4



(s15) Spanner -1

Pre-installed parts



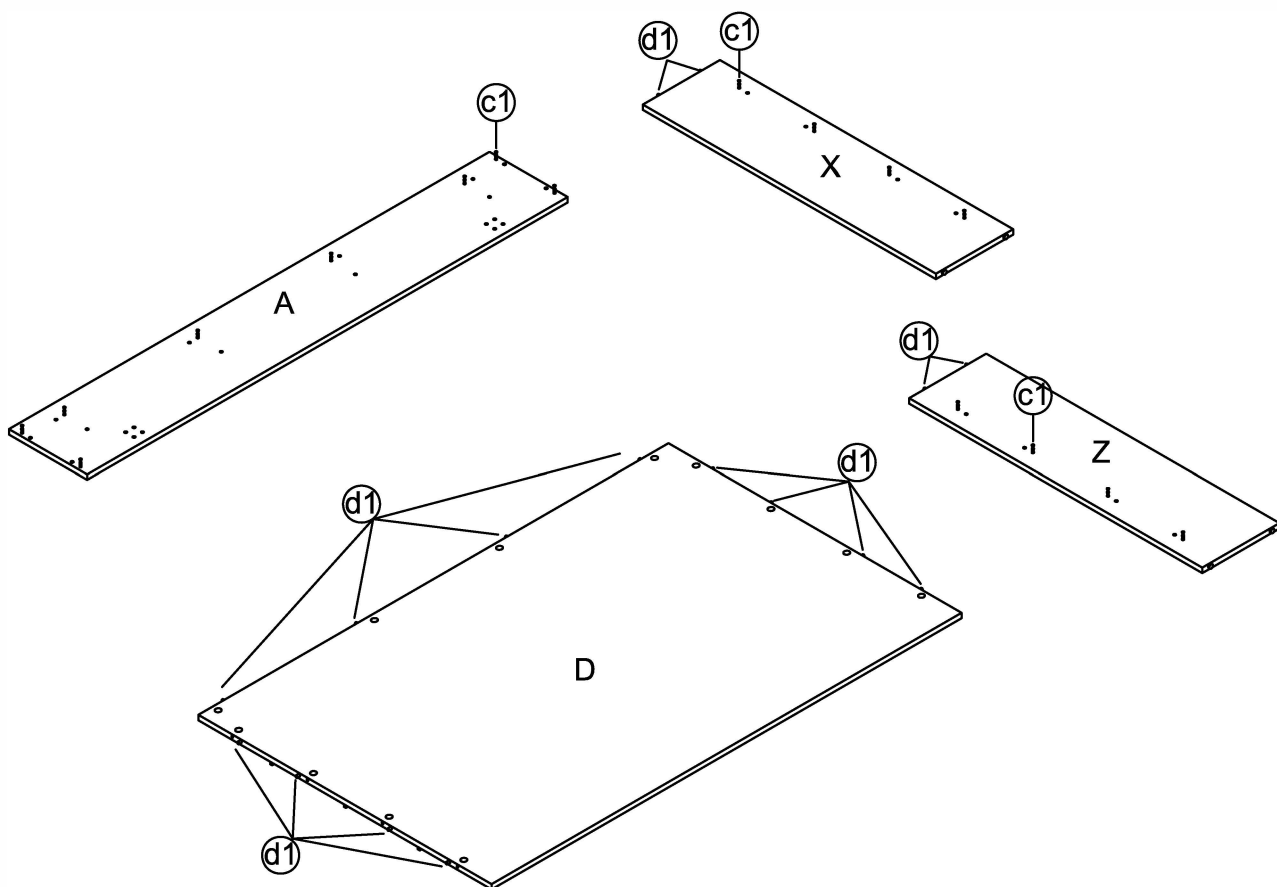
(c5) Cam

AXIS Reception Counter

ASSEMBLY INSTRUCTIONS - AXRPDN18 & AXRDN18

OPTION 1

STEP 1



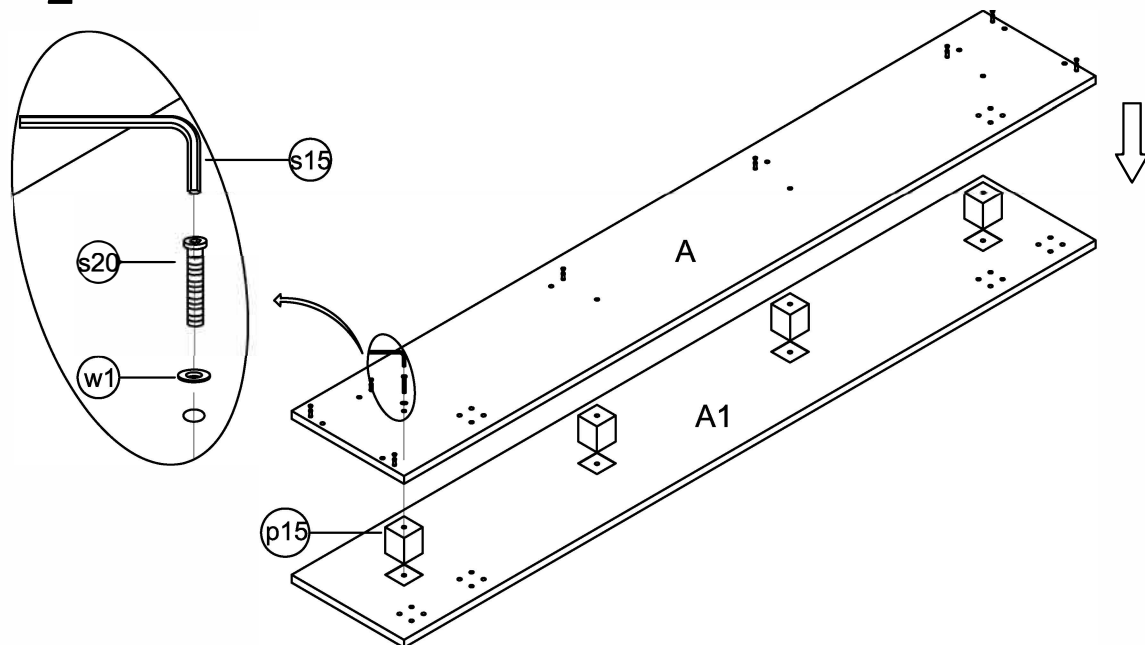
Preparation for Top panel A, Back panel D, Left side panel X, Right side panel Z .

1、 Insert cam bolts (c1) and dowel pins (d1) into panel A ,D,X and Z as illustrated above.

AXIS Reception Counter

ASSEMBLY INSTRUCTIONS - AXRPDN18 & AXRDN18

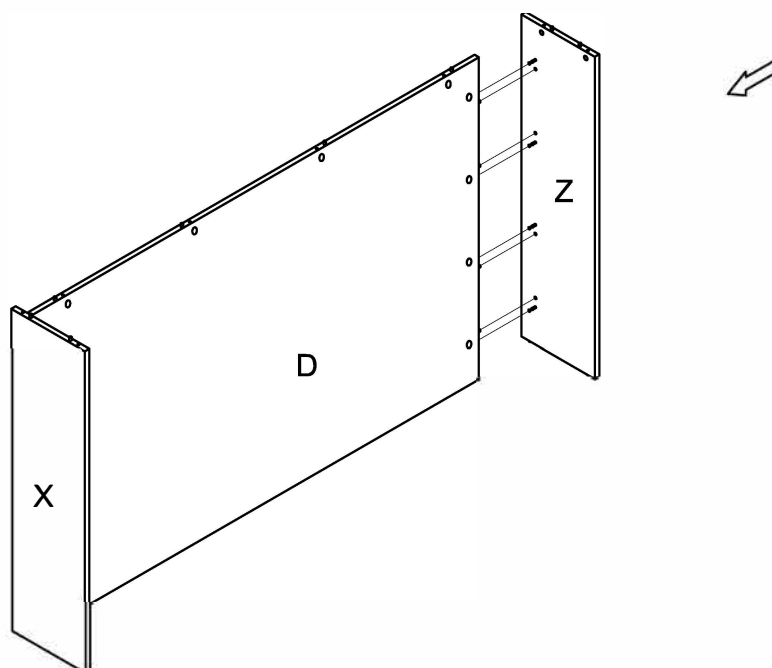
STEP 2



Top panel A and Top panel A1 assembly.

- 1、 Assemble Metal Stand (p15) with screws (s20) on Top panel A,A1.

STEP 3



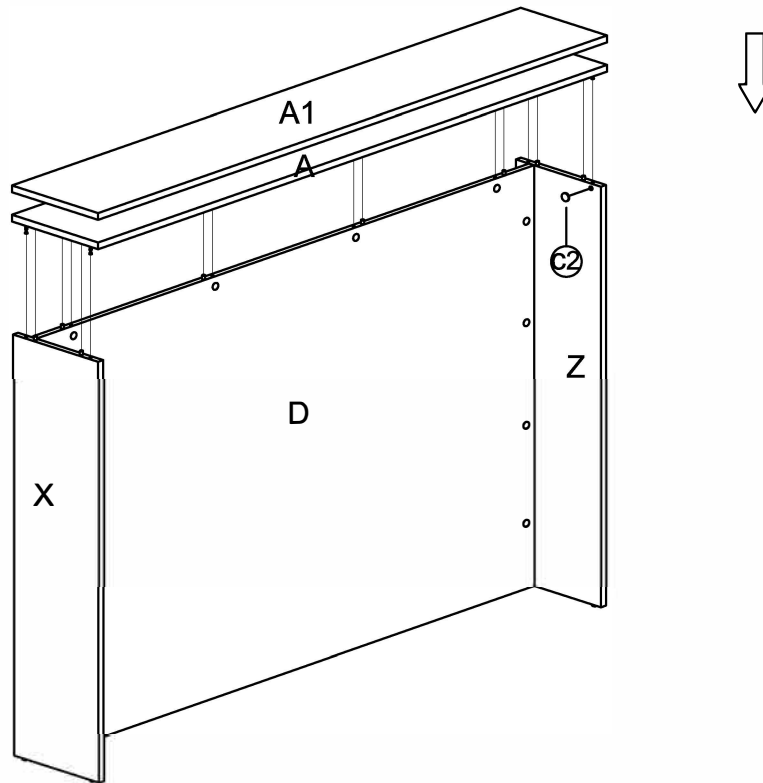
Back panel D,Left side panel X and Right side panel Z assembly.

- 1、 Insert cam bolts (c1) and dowel pins (d1) on panel X and Z into cams on panel D and tighten in a clockwise direction as illustrated above.

AXIS Reception Counter

ASSEMBLY INSTRUCTIONS - AXRPDN18 & AXRDN18

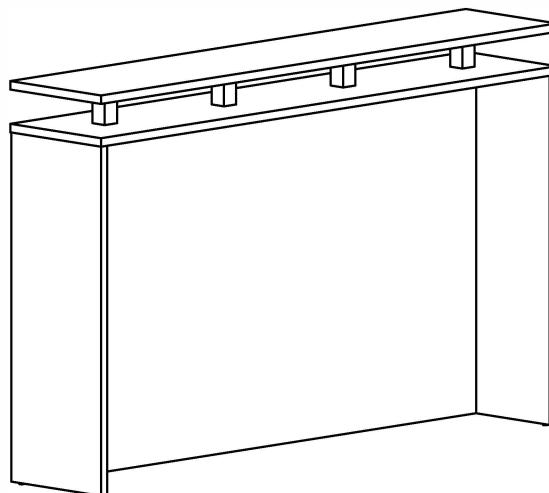
STEP 4



Top panel A and Back panel D, Left side panel X, Right side panel Z assembly.

1. Insert cam bolts (c1) and dowel pins (d1) on panel A into cams on panel X, Z and D and tighten in a clockwise direction as illustrated above.
2. Cover the cam covers (c2) on the top of cams.

STEP 5



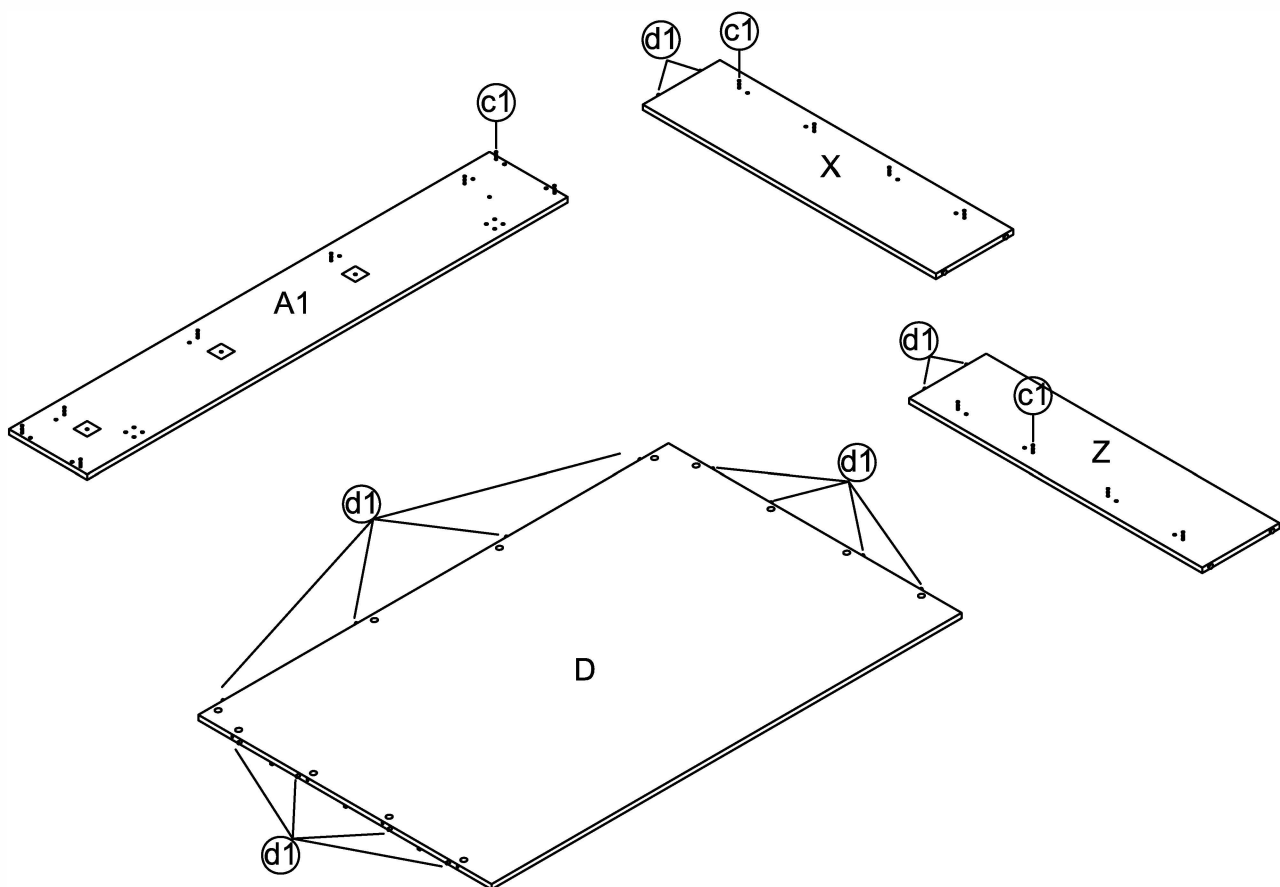
You have now successfully completed the assembly on item:
AXIS Reception Counter Main
ITEM No.:AXRPD18 & AXRD18

AXIS Reception Counter

ASSEMBLY INSTRUCTIONS - AXRPDN18 & AXRDN18

OPTION 2

STEP 1



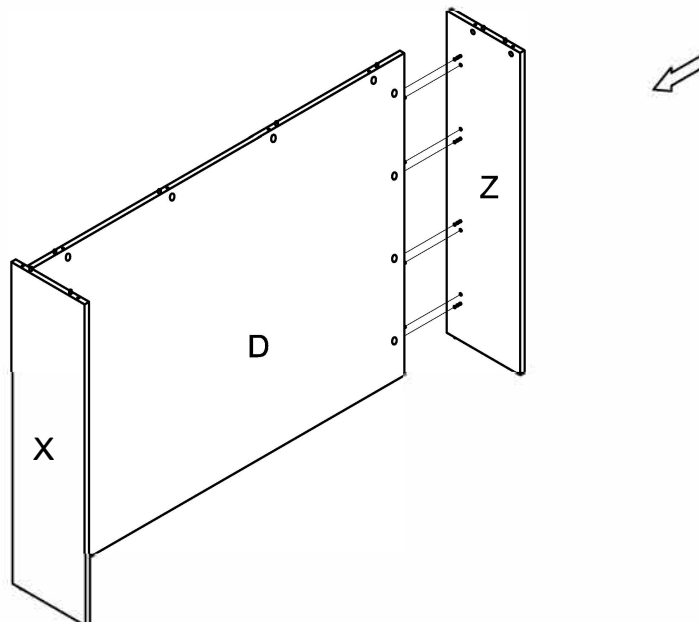
Preparation for Top panel A1, Back panel D, Left side panel X, Right side panel Z .

1、 Insert cam bolts (c1) and dowel pins (d1) into panel A1 ,D,X and Z as illustrated above.

AXIS Reception Counter

ASSEMBLY INSTRUCTIONS - AXRPDN18 & AXRDN18

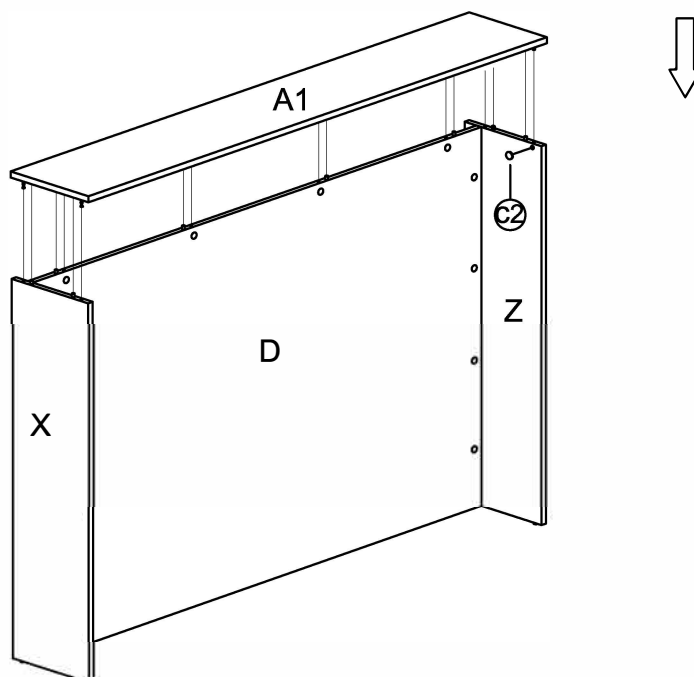
STEP 2



Back panel D, Left side panel X and Right side panel Z assembly.

1. Insert cam bolts (c1) and dowel pins (d1) on panel X and Z into cams on panel D and tighten in a clockwise direction as illustrated above.

STEP 3



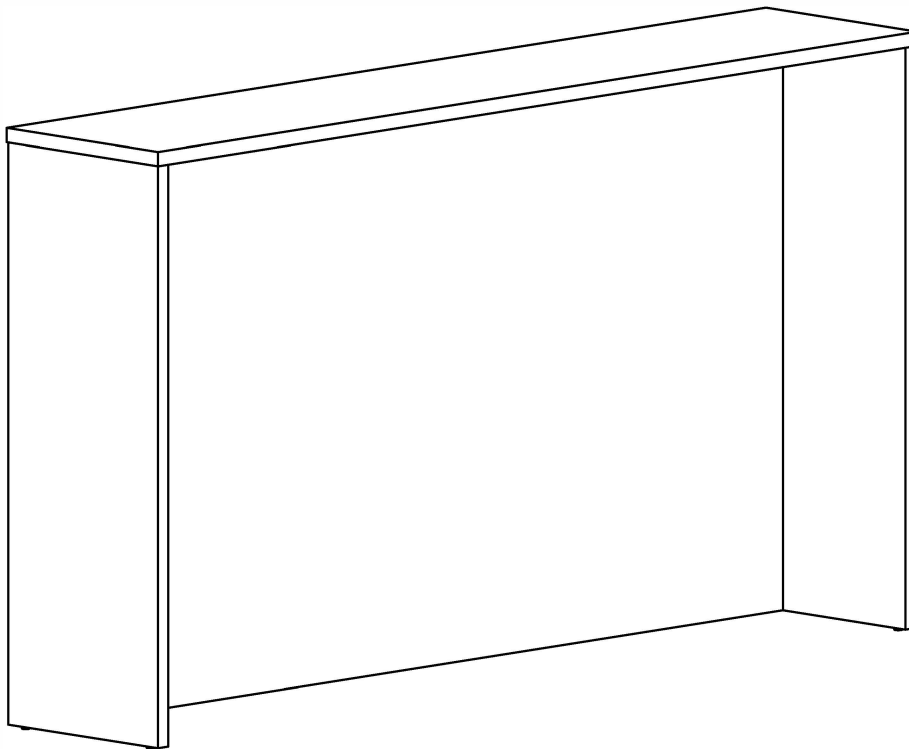
Top panel A1 and Back panel D, Left side panel X, Right side panel Z assembly.

1. Insert cam bolts (c1) and dowel pins (d1) on panel A1 into cams on panel X, Z and D and tighten in a clockwise direction as illustrated above.
2. Cover the cam covers (c2) on the top of cams.

AXIS Reception Counter

ASSEMBLY INSTRUCTIONS - AXRPDN18 & AXRDN18

You have now successfully completed the assembly on item: Axis Reception Counter Main Item - AXRPDN18 & AXRDN18



Remove all QC and panel labels and wipe clean using a damp cloth and general household cleaner .