

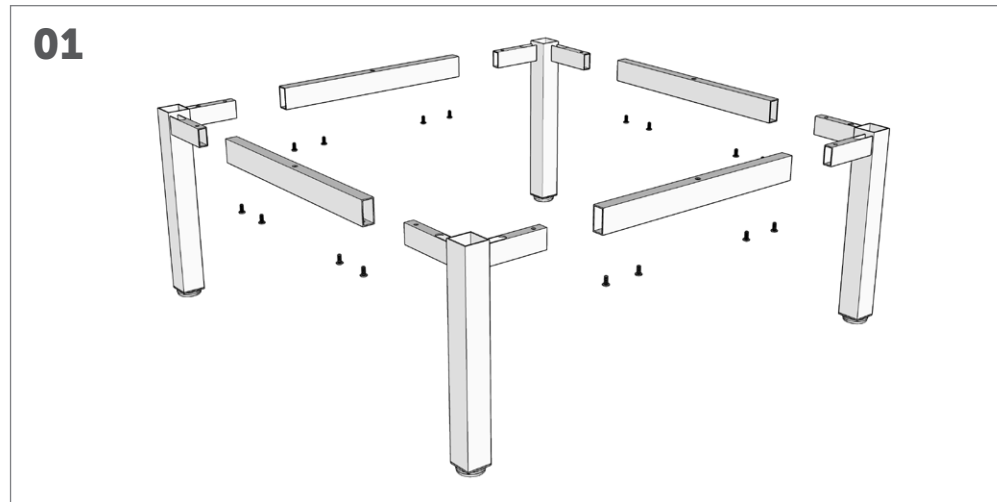
Axis Meeting Table

Installation Guide

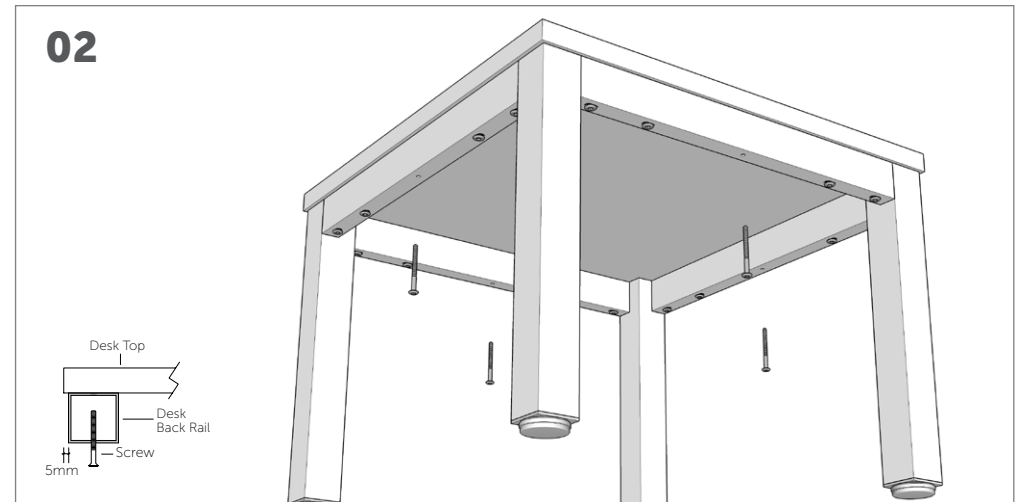
TOOLS REQUIRED: Cordless Drill

Axis Meeting Table

Installation Guide



Assemble frames and rails together, loosely (1 turn from tight).



Fix worksurface with 5mm overhang to frame, then fully tighten all rail to frame screws.

