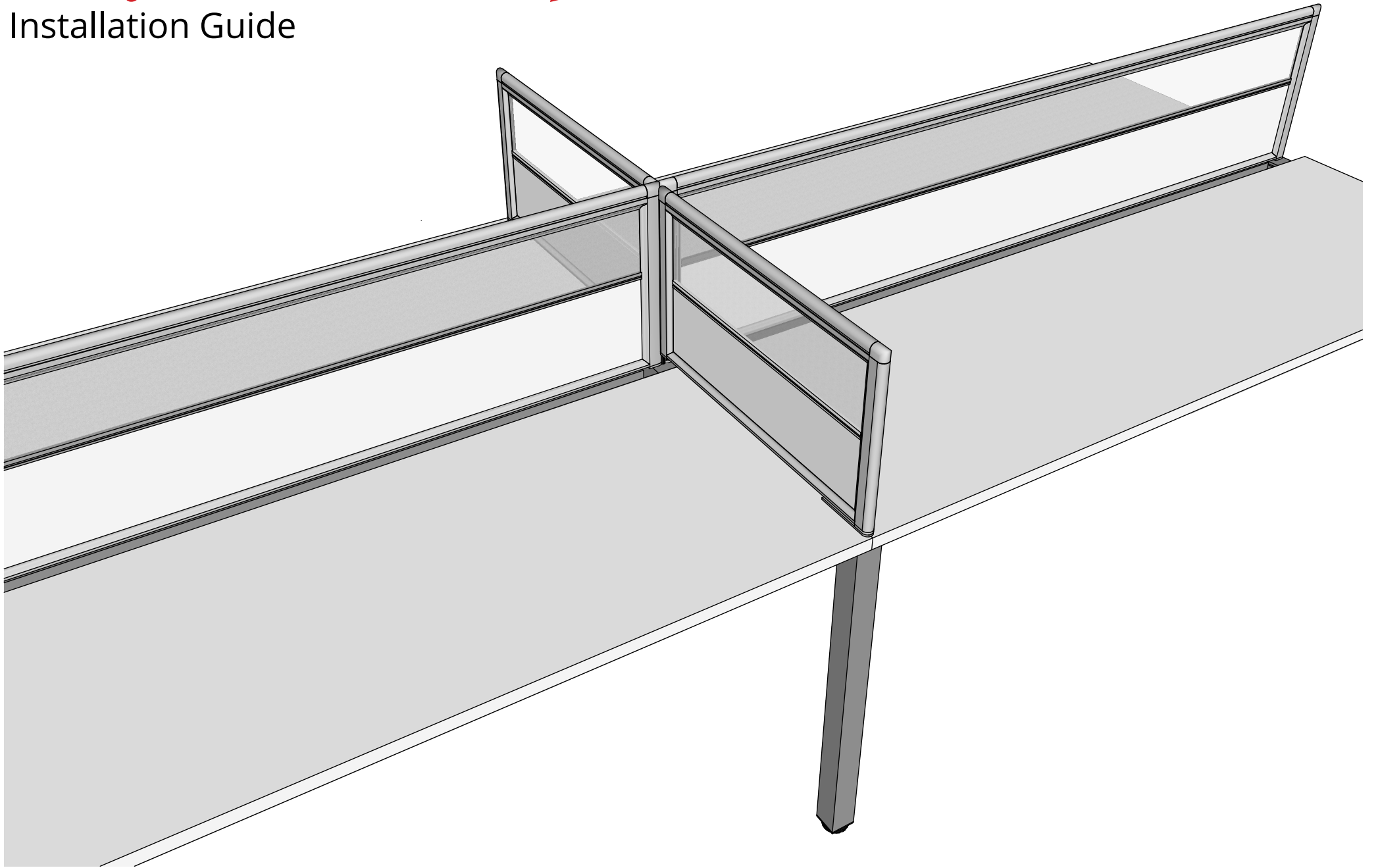


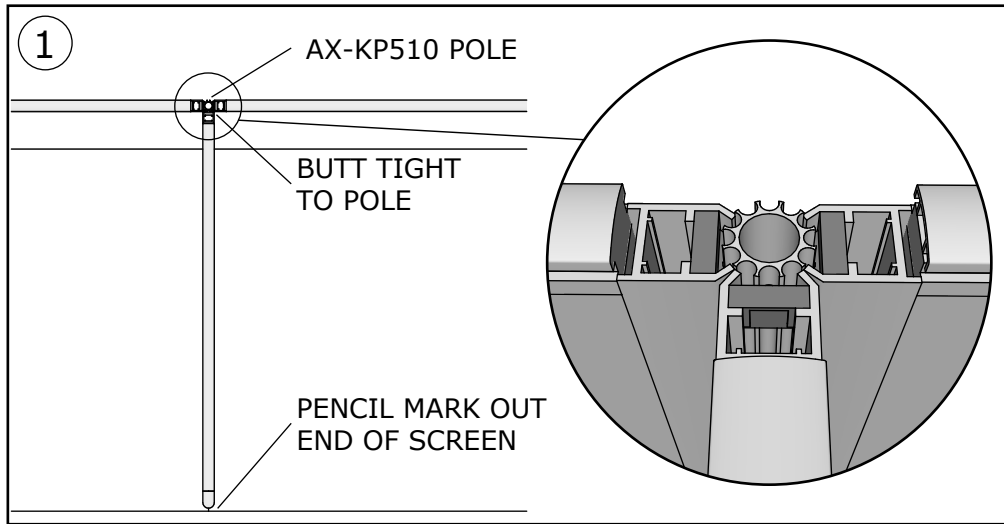
Axis System Return Screen Option

Installation Guide

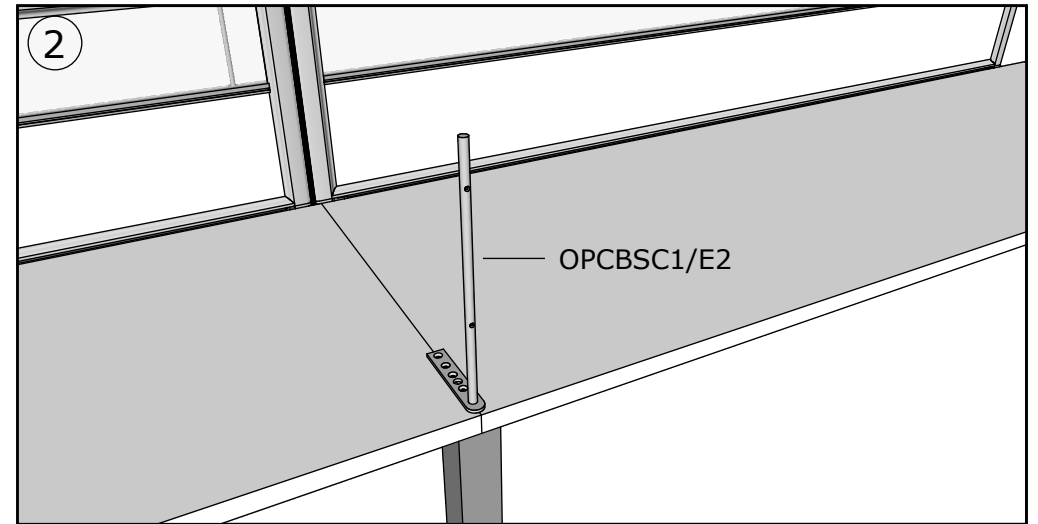


Axis System Return Screen Option

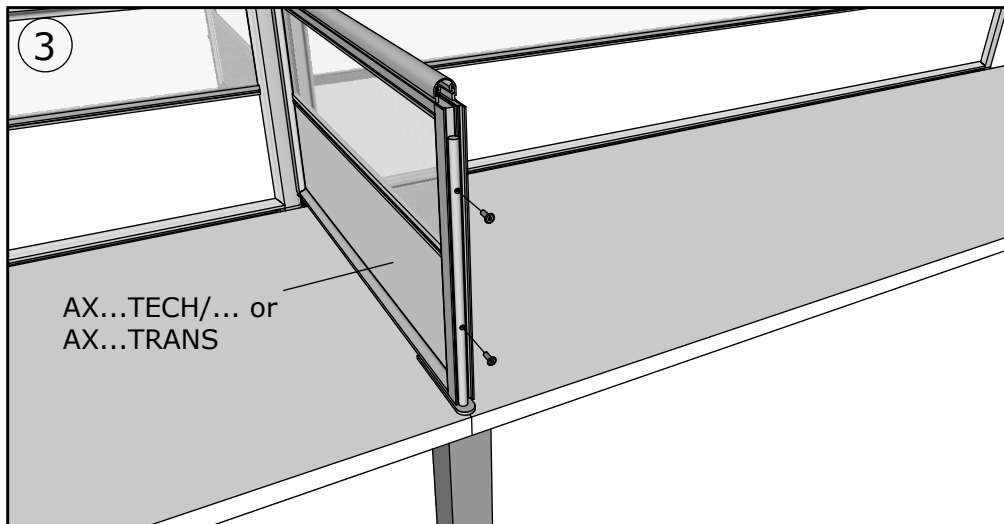
Installation Guide



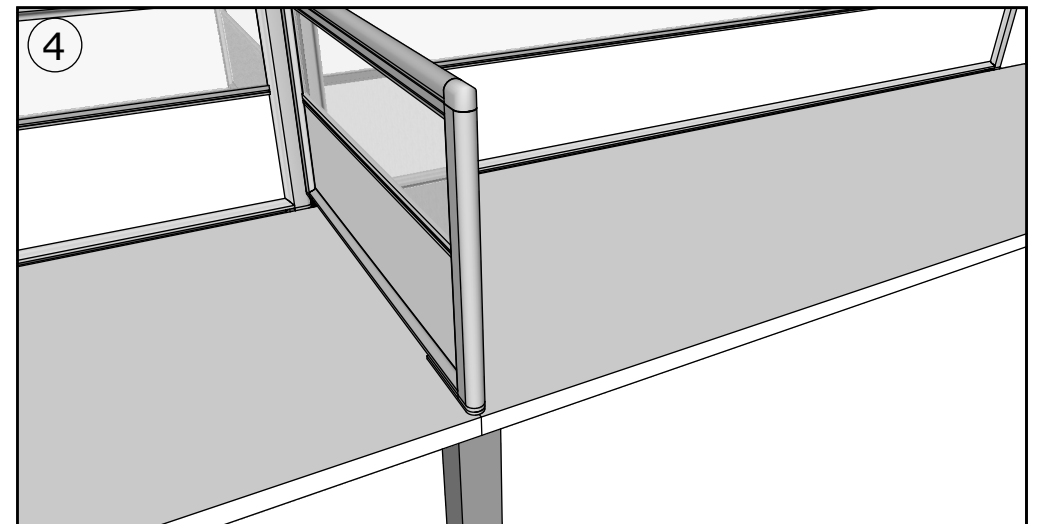
Carefully remove 1 end cap & seal & butt tight against pole. Mark out end of screen on desk.



Remove screen & fix bracket in place.



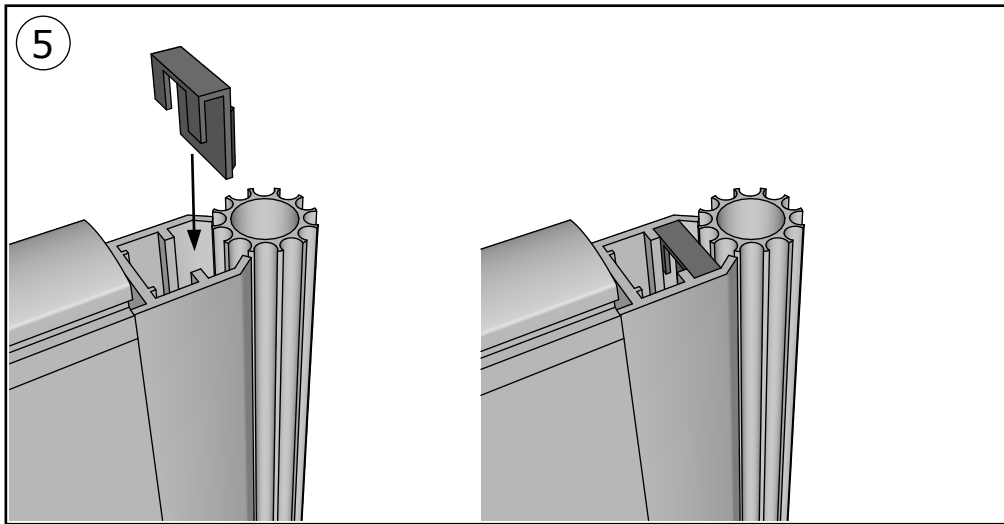
Remove other end seal & attach screen to bracket with self taper screws.



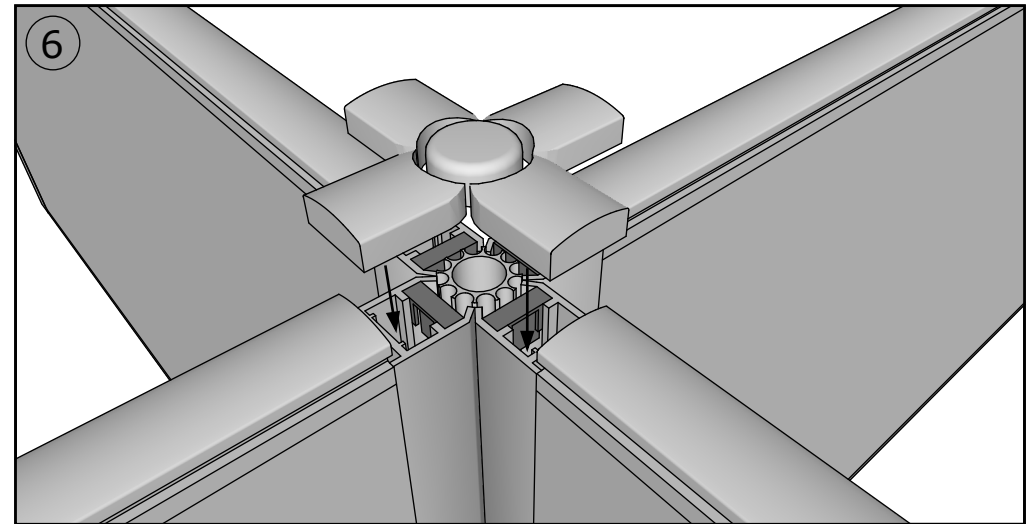
Attach screen end seal with soft non-marking mallet.

Axis System Return Screen Option

Installation Guide



Attach top slug connector to screen/pole join.



Install all top caps simultaneously down all together gently tapping with a soft non-marking mallet.