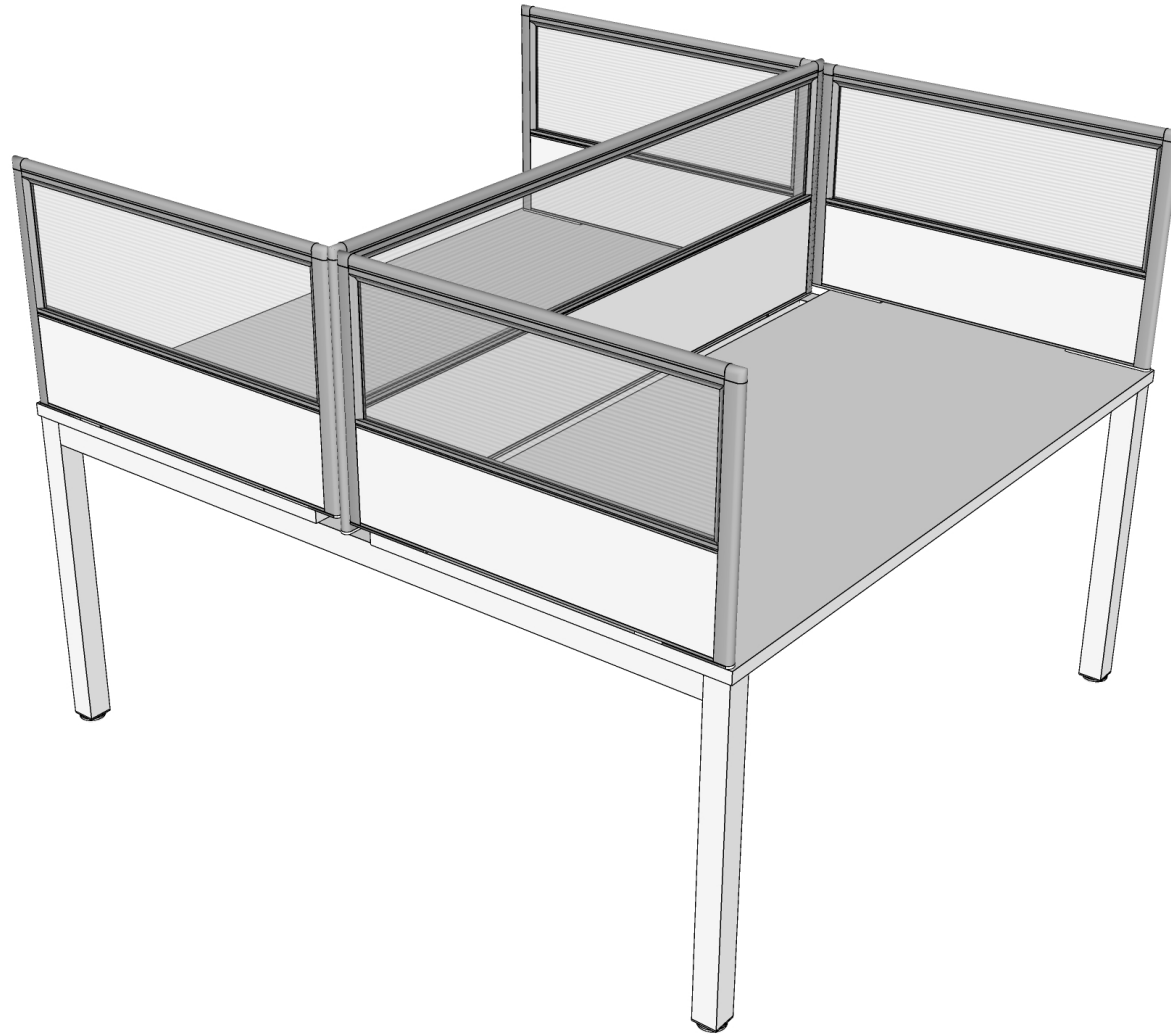


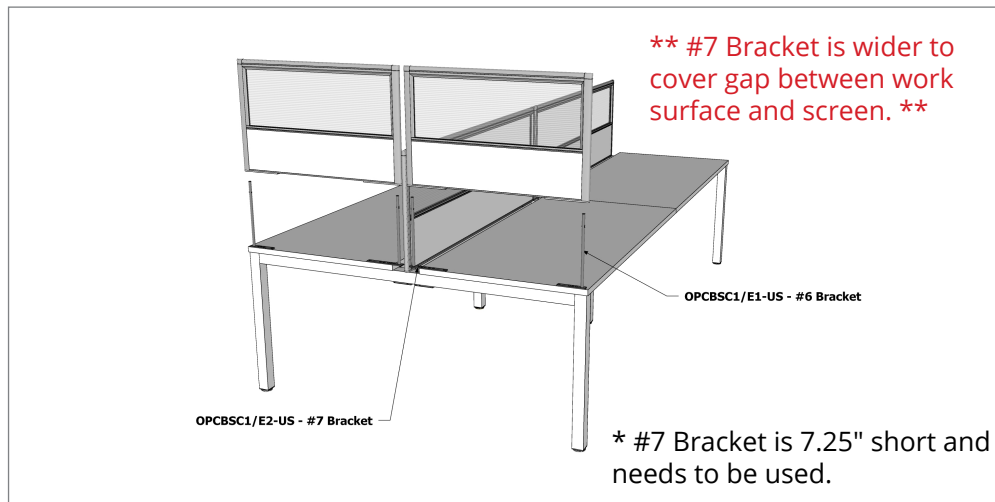
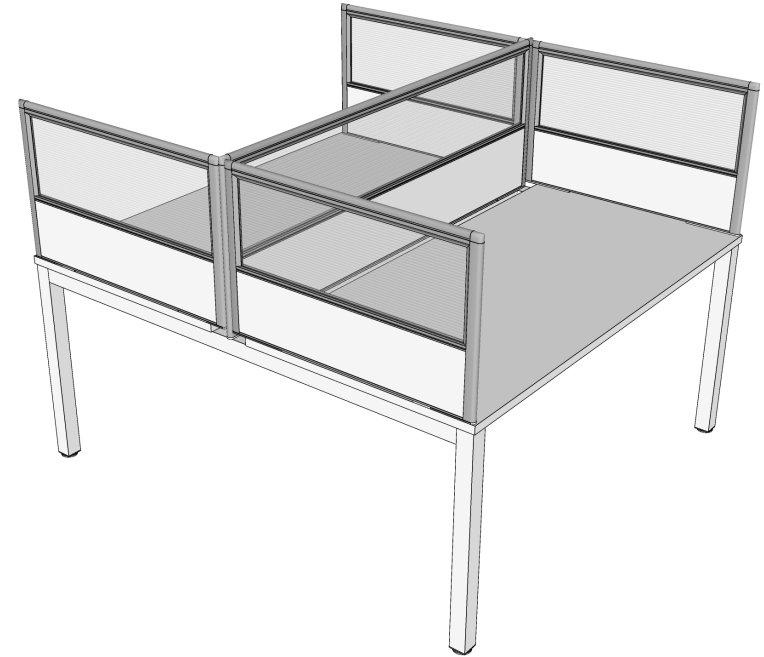
# *Axis DSD End Return Screen*

## Installation Guide

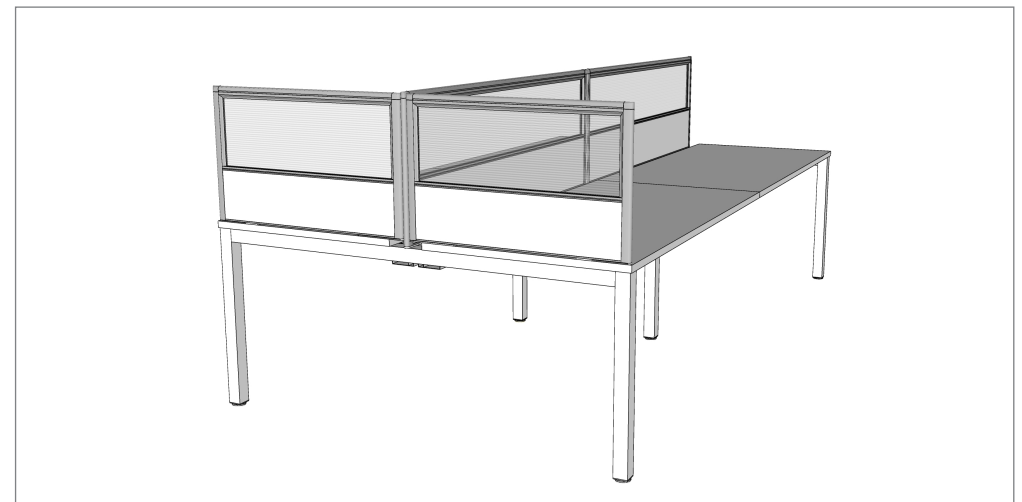


# Axis DSD End Return Screen

## Installation Guide



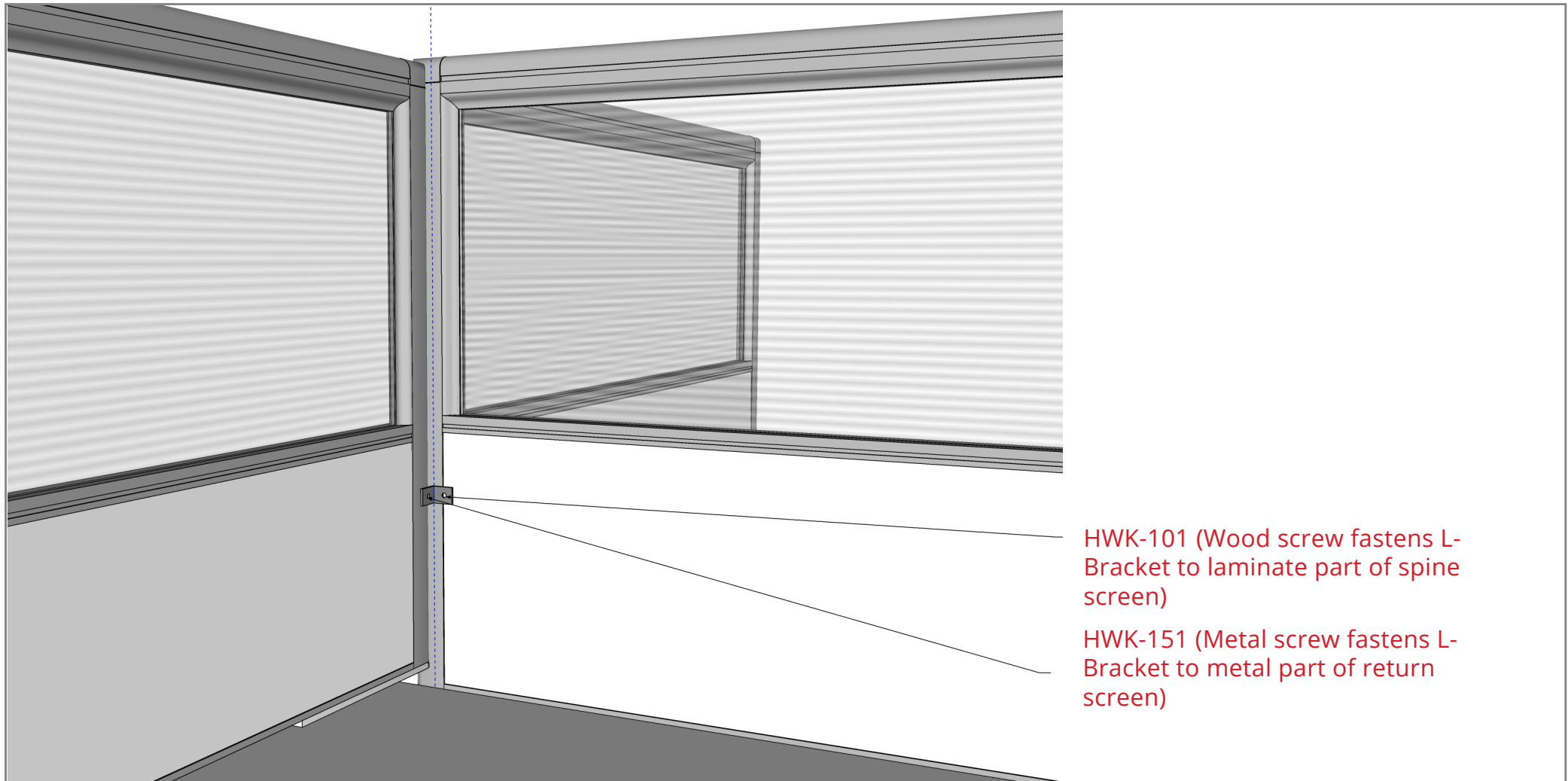
**Step 1:** Line up screens on desk to confirm where brackets will need to be fastened as shown. Once confirmed, fasten # 6 and #7 brackets to work surface in positions shown in image.



**Step 2:** Slide screens onto brackets.

# Axis DSD End Return Screen

## Installation Guide



**Step 3:** Fasten the L-Bracket provided to the Return and Spine screens. The bracket will be fastened to spine screen using HWK-101 provided and to the return screen with HWK-151. It is important these are installed to ensure return screen stability. Reference notes in above image to ensure positioning is correct and hardware is used in correct locations. Once this is complete, the end return screen install is complete.