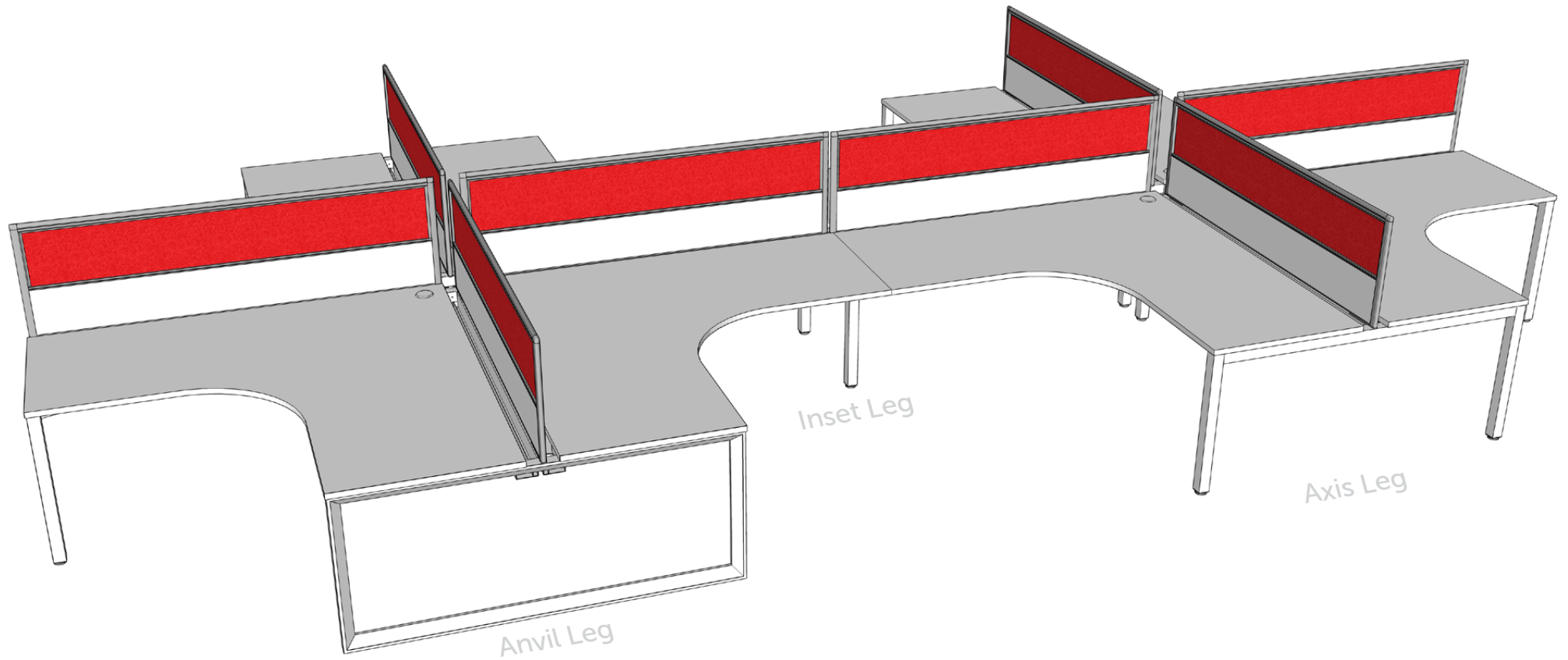


# Axis/Anvil System

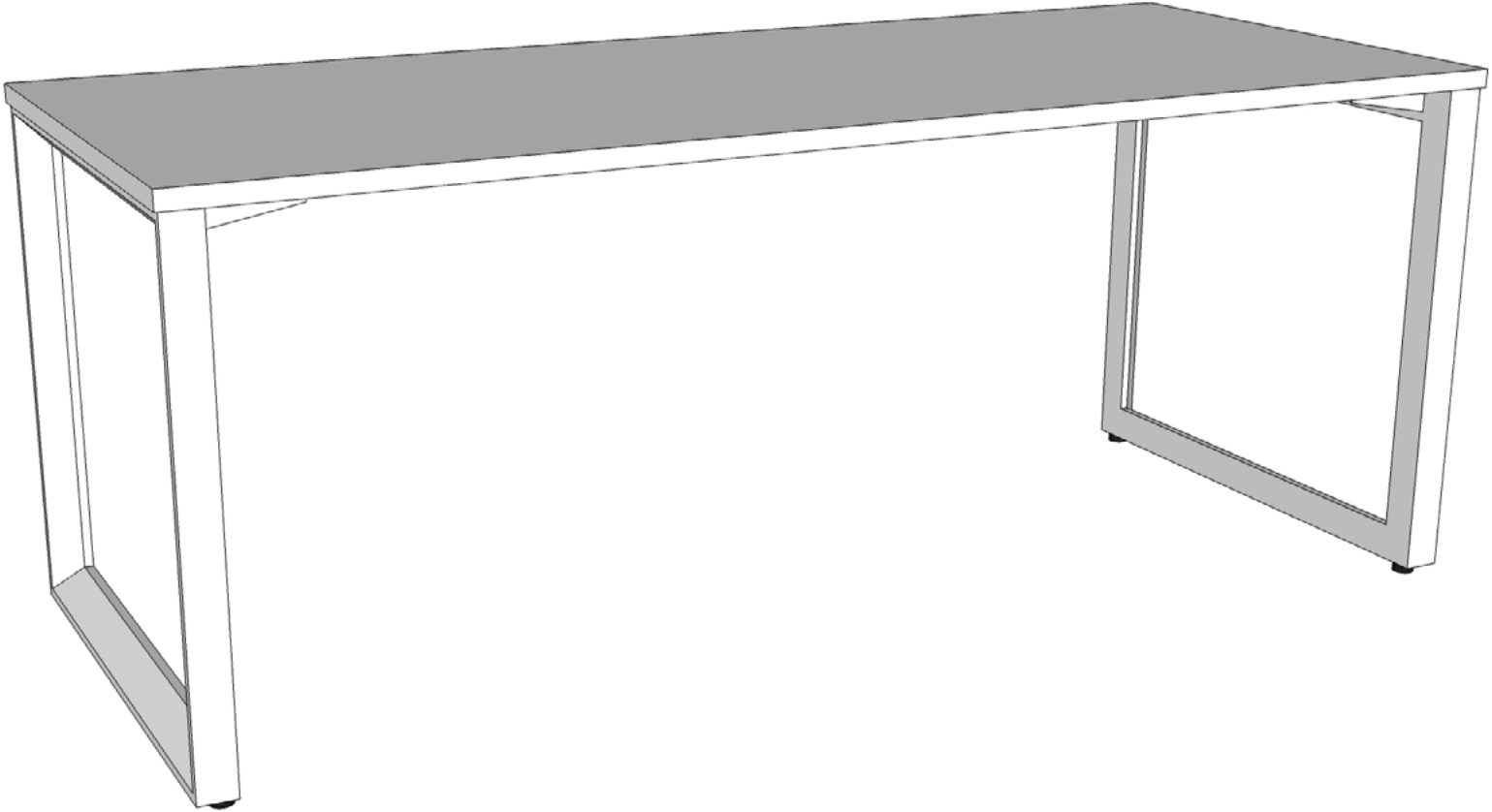
## Installation Guide

**TOOLS REQUIRED:** Power drill, rubber mallet



# ANVIL DESK

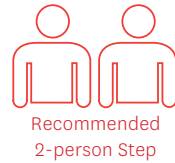
Installation Guide



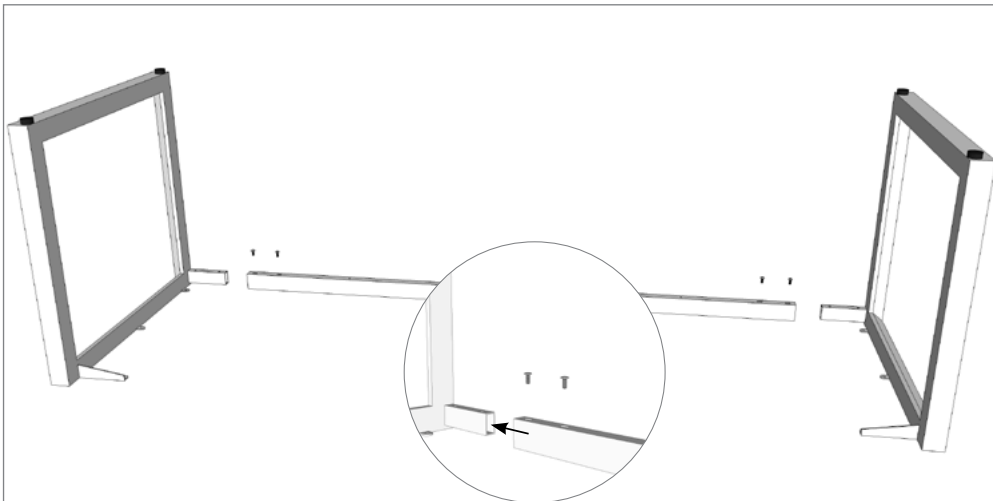
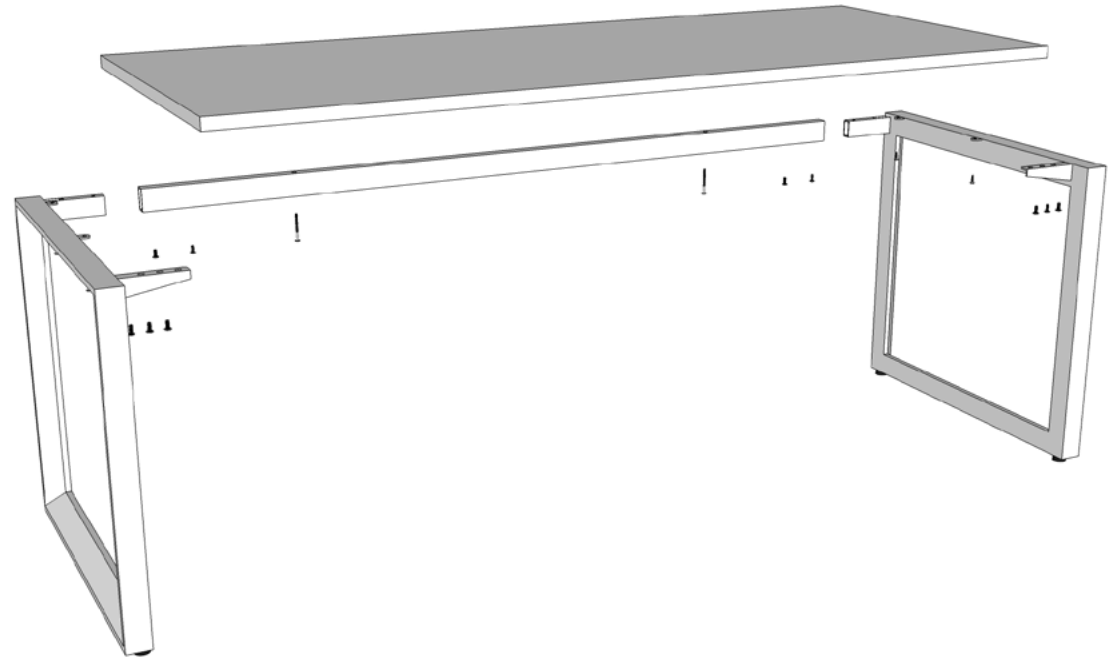
# ANVIL DESK

## Installation Guide

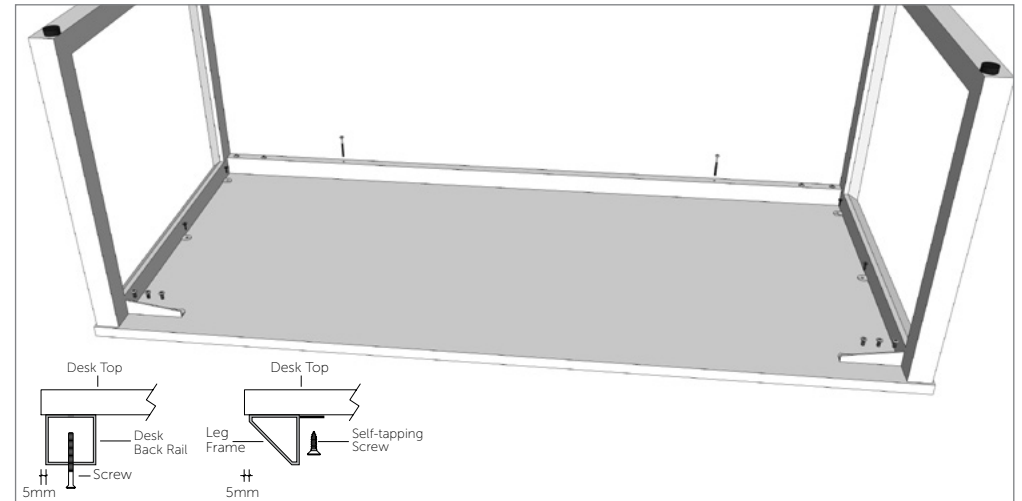
\* To prevent possible scratches or damage, assemble the Desk upside down on a soft surface such as a blanket, carpet or packaging.



\* Attach Leg to the Top assembly by using Bolts, spring washer, flat washer. Tighten using the Allen Wrench provided.



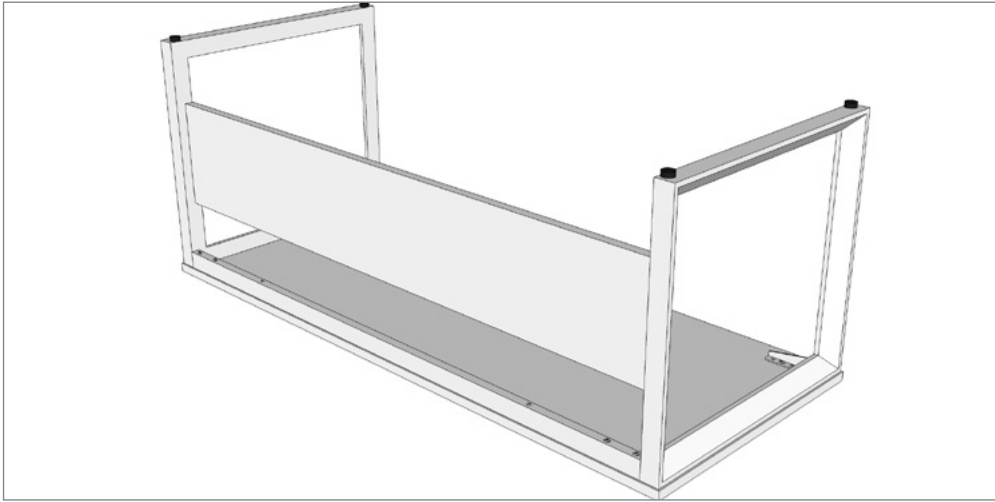
**STEP 1:** Loosely assemble frames & rails together (1 turn from tight).



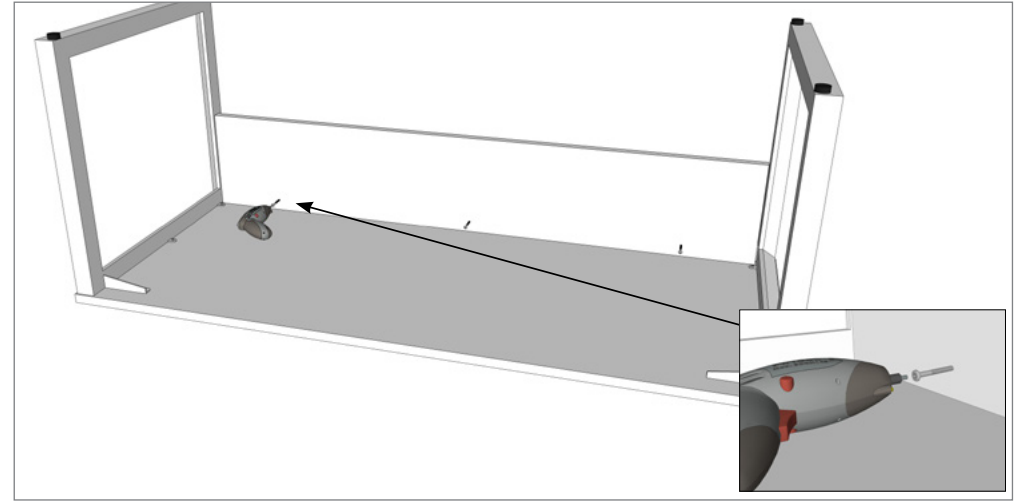
**STEP 2:** Fix desk frame to worktop, allowing for a 5mm overhang on all sides. Fully tighten all rail to frame screws.

# ANVIL DESK (WITH MODESTY)

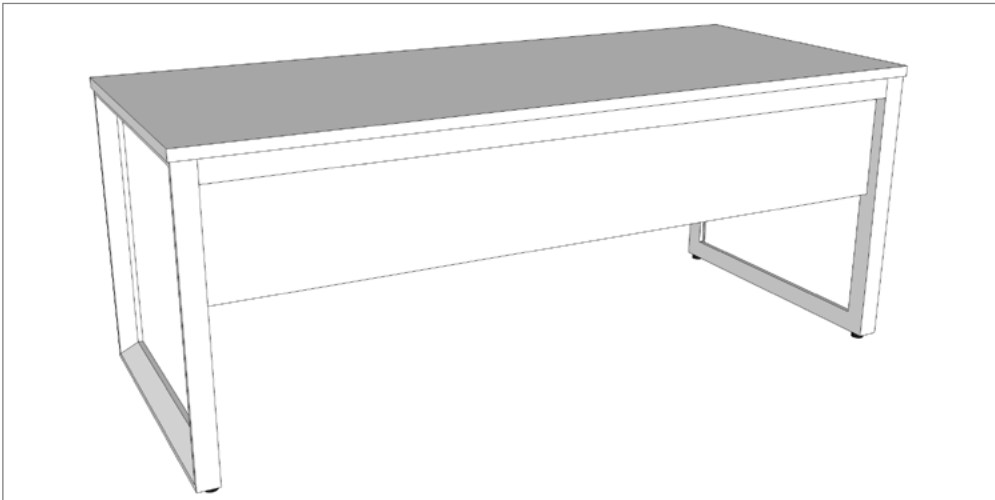
## Installation Guide



**STEP 3:** Position the modesty behind the rail.



**STEP 4:** Pre-drill holes into the modesty and fully tighten the modesty to the rail with provided screws.

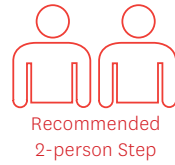


**STEP5:** Using two people, carefully set the Desk upright and position.

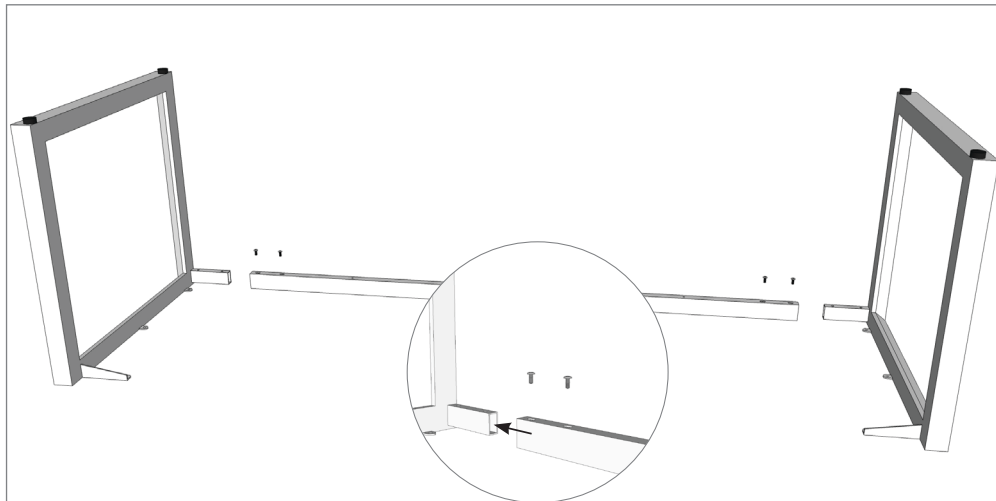
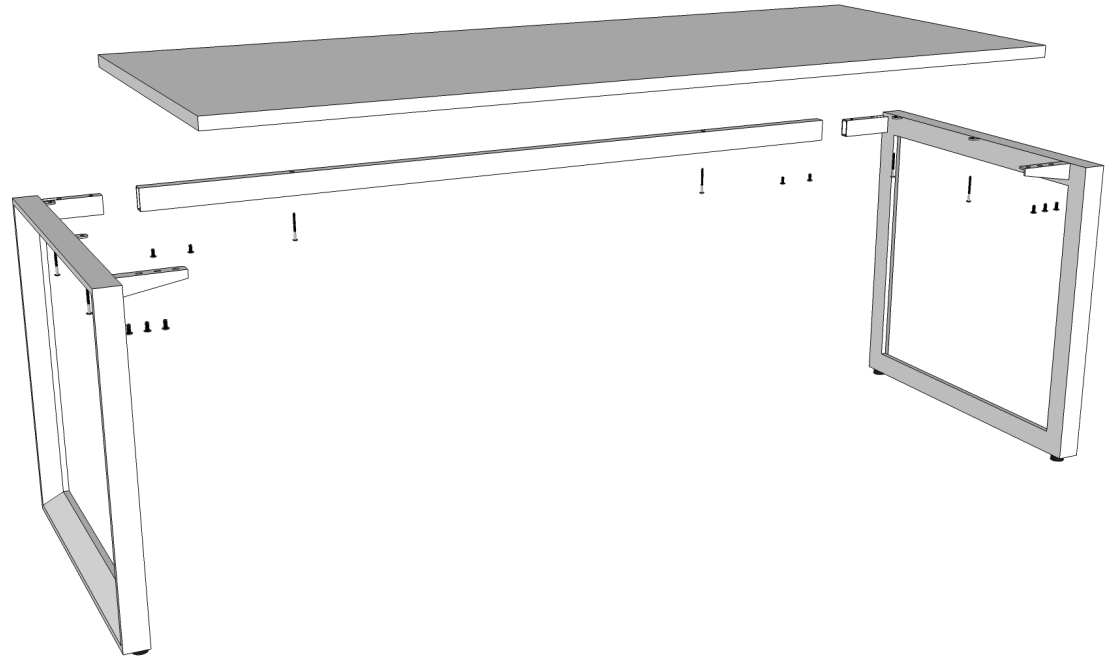
# ANVIL DESK

## Installation Guide

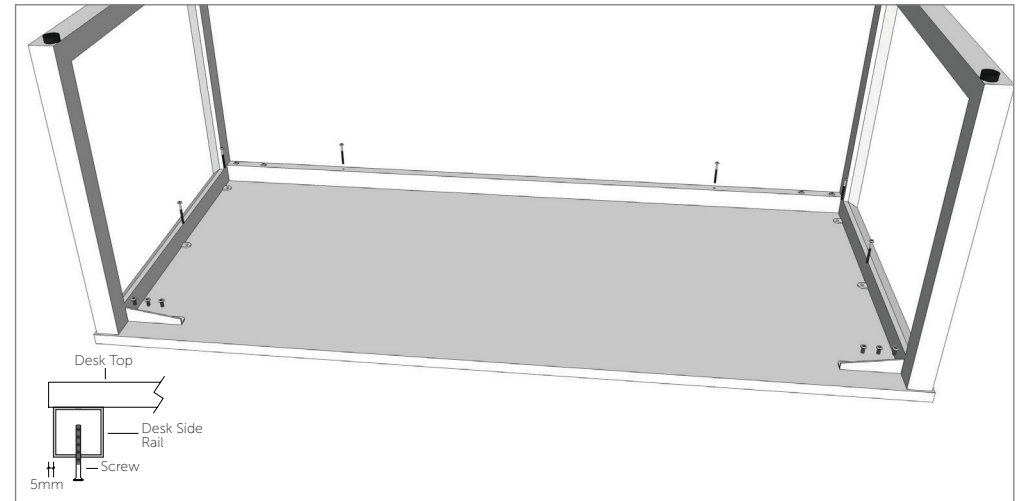
\* To prevent possible scratches or damage, assemble the Desk upside down on a soft surface such as a blanket, carpet or packaging.



\* Attach Leg to the Top assembly by using Bolts, spring washer, flat washer. Tighten using the Allen Wrench provided.



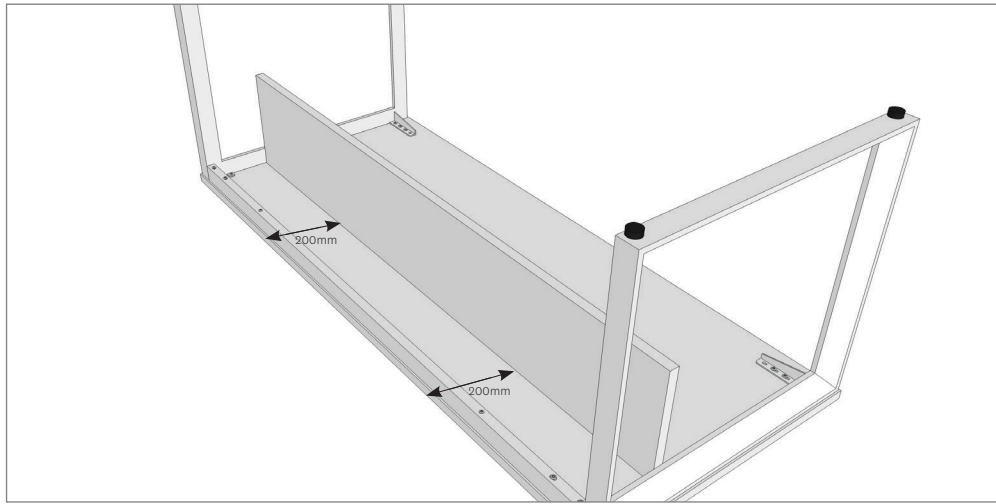
**STEP 1:** Assemble frames & rails together, loosely (1 turn from tight).



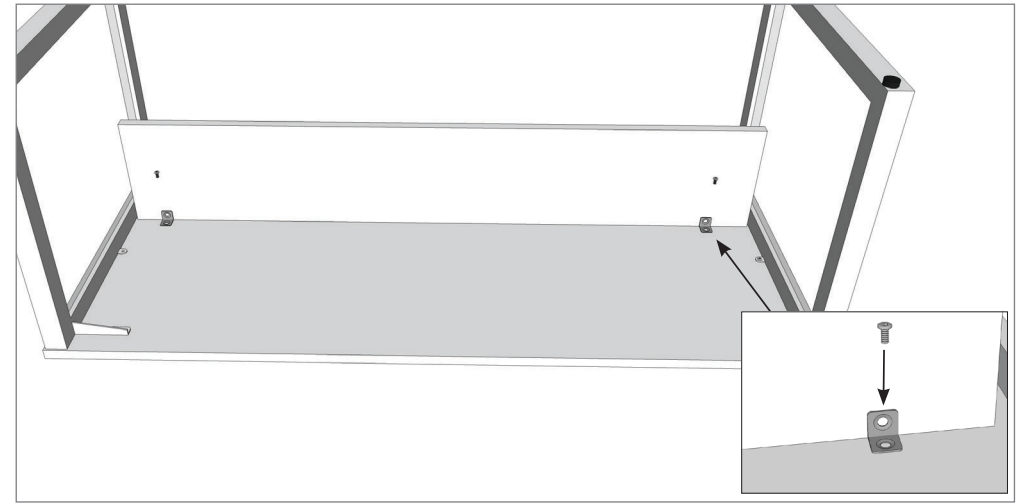
**STEP 2:** Fix desk top with 5mm overhang over metal frame. Lastly, fully tighten all rail to frame screws.

# ANVIL DESK (WITH MODESTY)

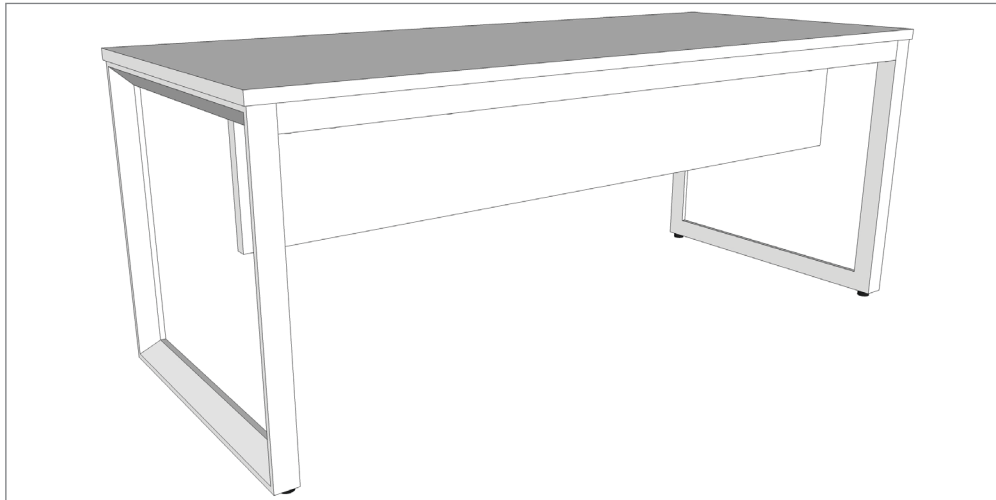
## Installation Guide



**STEP 3:** Measure 200mm from the front edge.



**STEP 4:** Pre-drill holes into the modesty and the worksurface, fully tighten with provided screws.



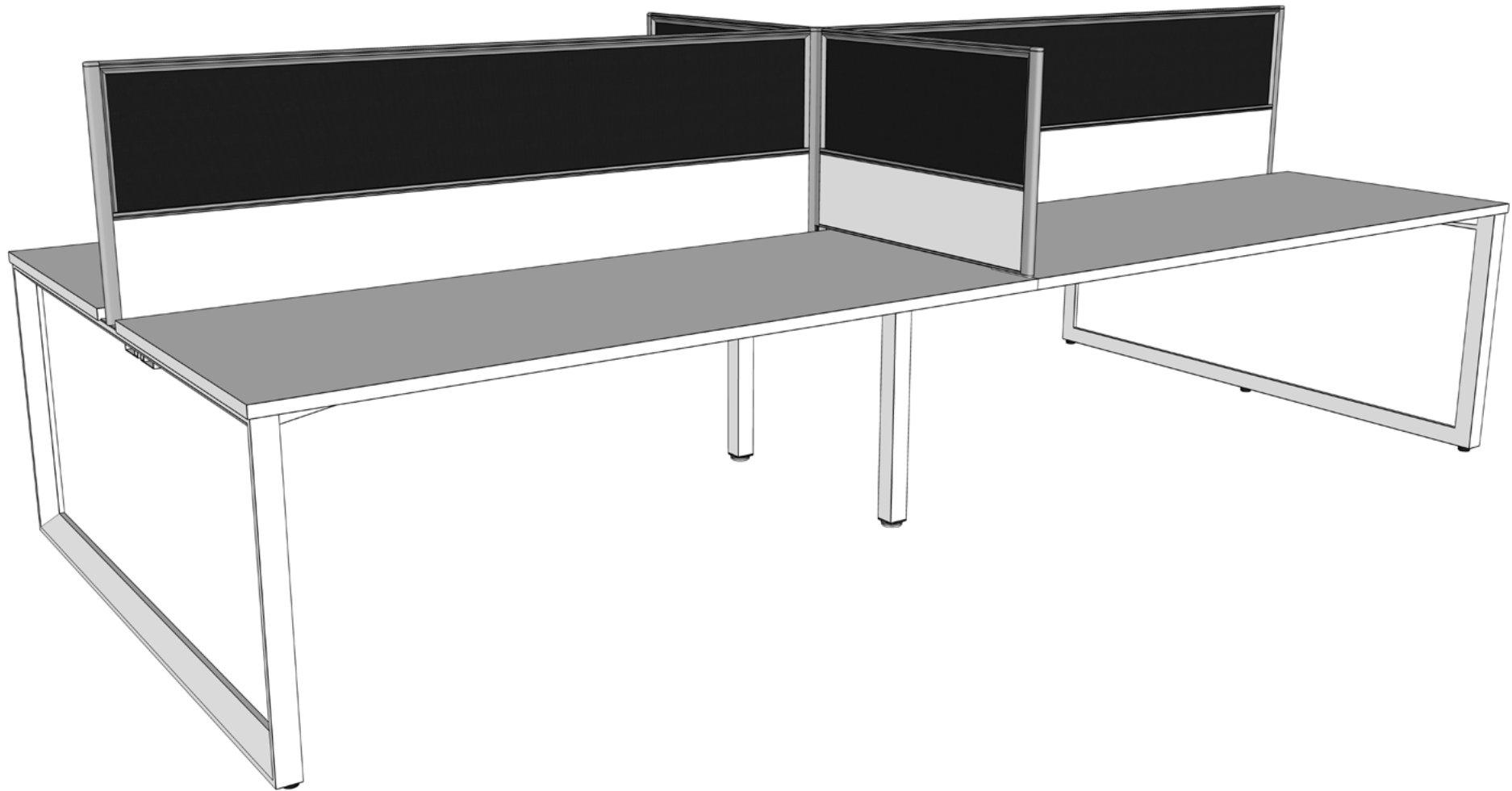
**STEP5:** Using two people, carefully set the Desk upright and position.

# *Anvil Straightline Desk*

## Installation Guide

---

**TOOLS REQUIRED:** Power drill



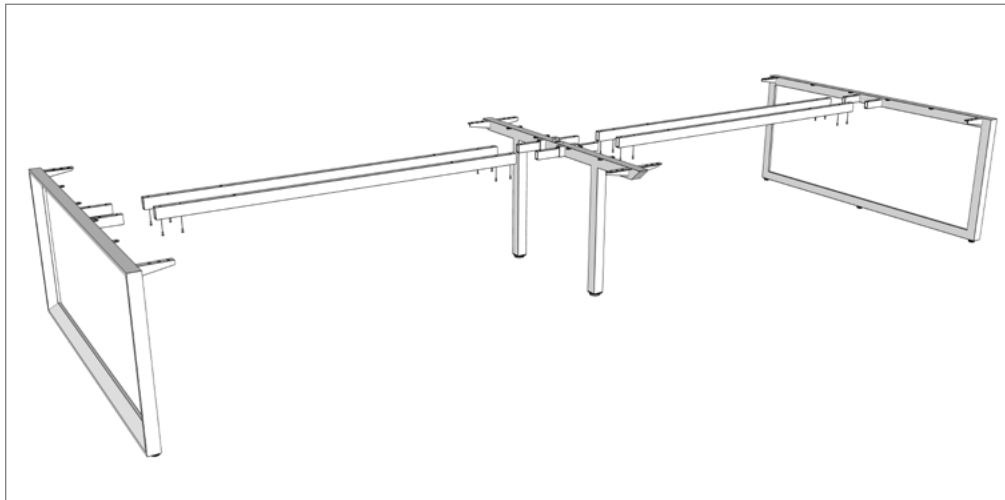
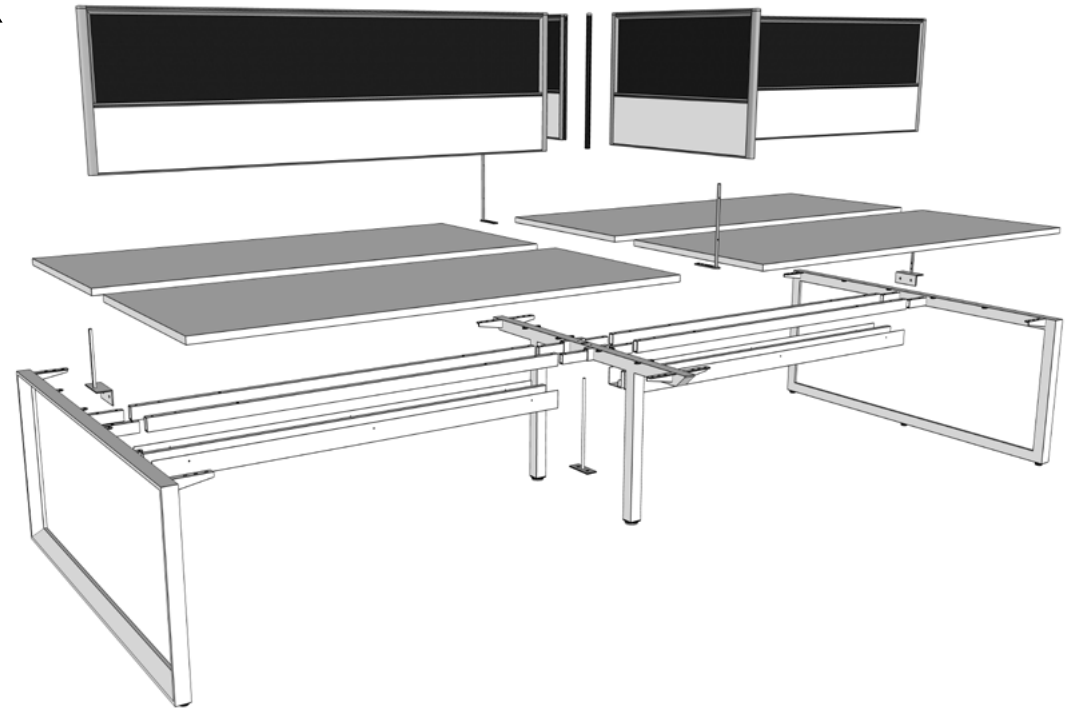
# ANVIL STRAIGHTLINE DESK

## Installation Guide

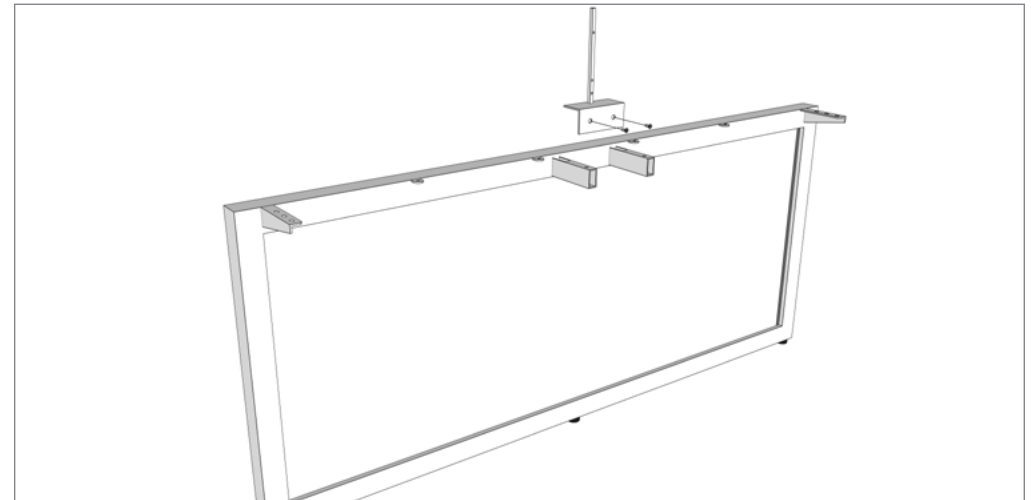
\* To prevent possible scratches or damage, assemble the Desk upside down on a soft surface such as a blanket, carpet or packaging.



\* Attach Leg to the Top assembly by using Bolts, spring washer, flat washer. Tighten using the Allen Wrench provided.



**STEP 1:** Assemble frames & rails together, loosely (1 turn from tight).

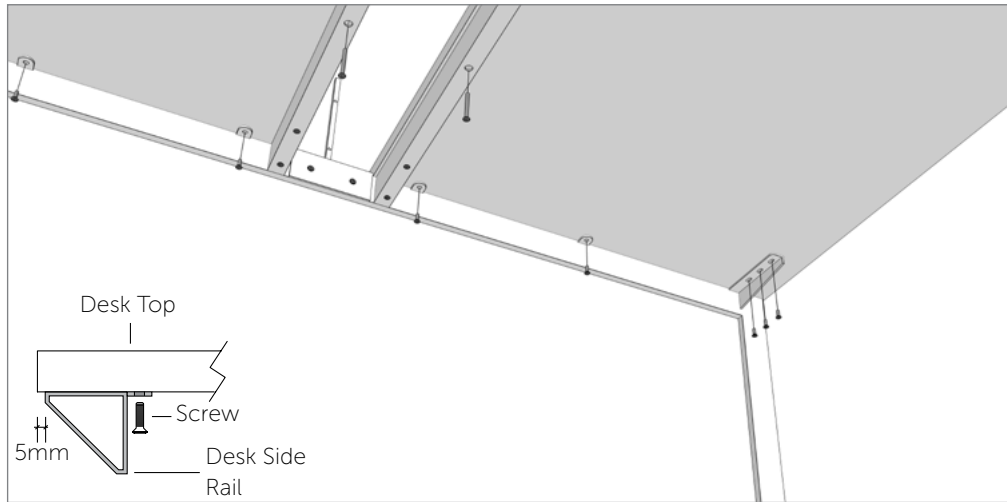


**STEP 2:** Assemble screen brackets to frame, loosely (1 turn from tight).

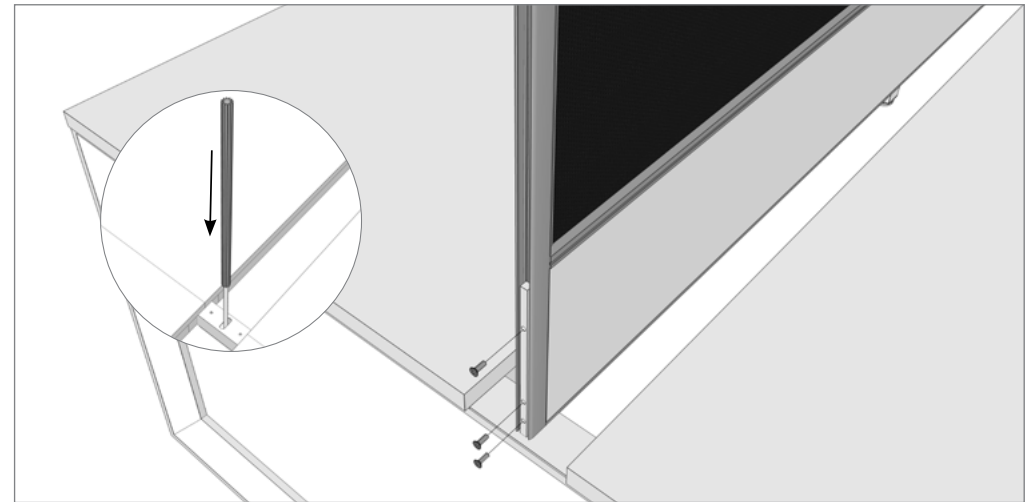


# ANVIL STRAIGHTLINE DESK

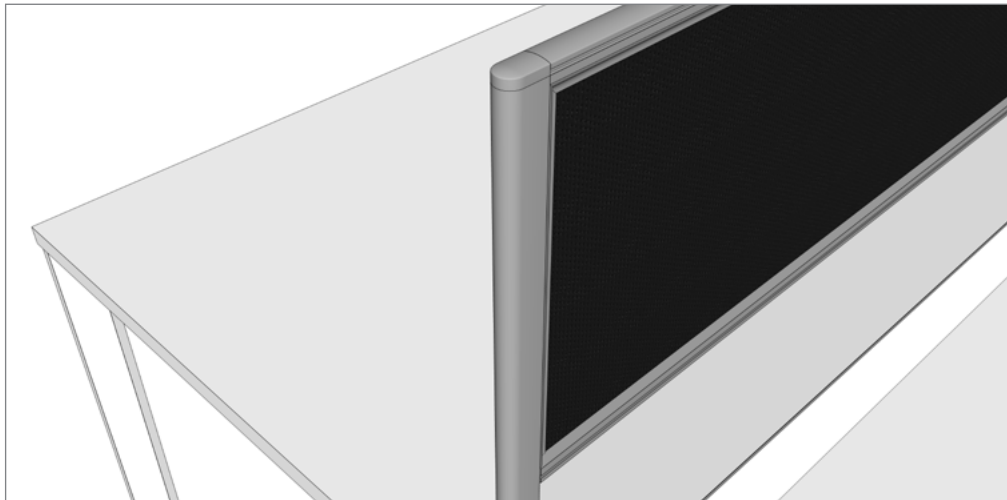
## Installation Guide



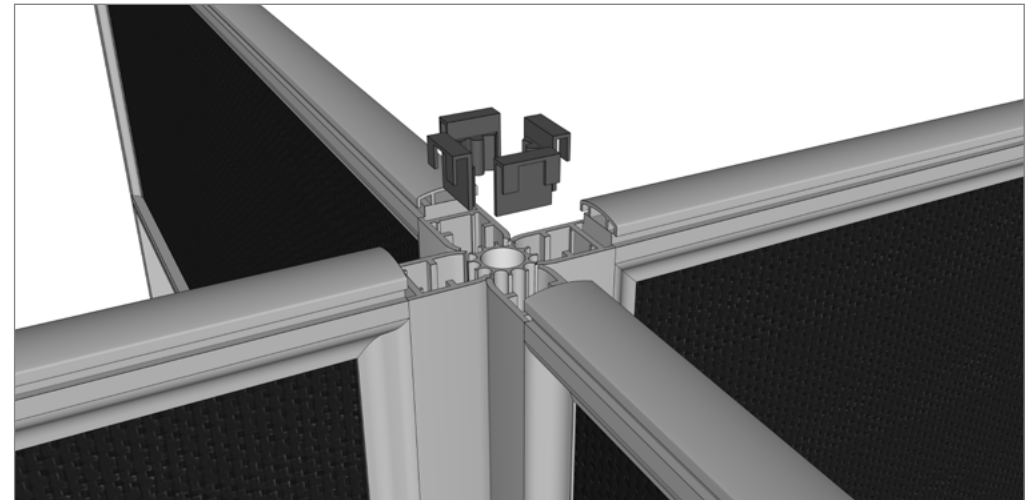
**STEP 3:** Fix desk top with 5mm overhang over metal frame. Where desktops butt together, make sure these are fitted tight together.



**STEP 2:** Fix desk top with 5mm overhang over metal frame. Lastly, fully tighten all rail to frame screws.



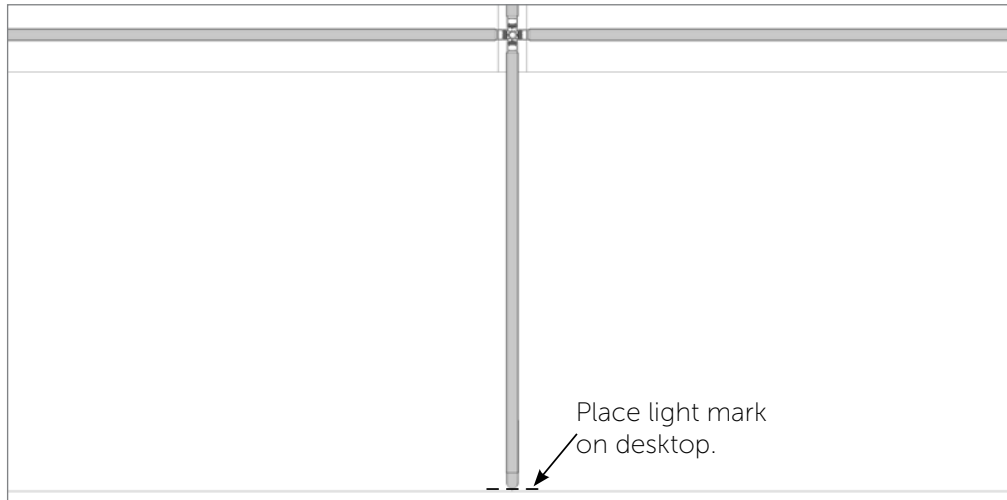
**STEP 5:** Attach centre screen end seal and top cap with soft non-marking mallet.



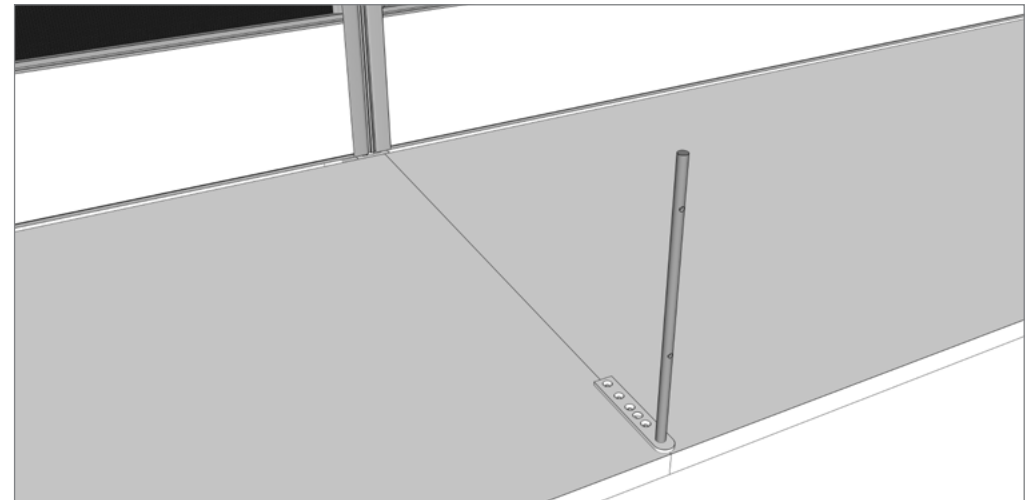
**STEP 6:** Attach screens to centre pole with top slug connectors.

# ANVIL STRAIGHTLINE DESK

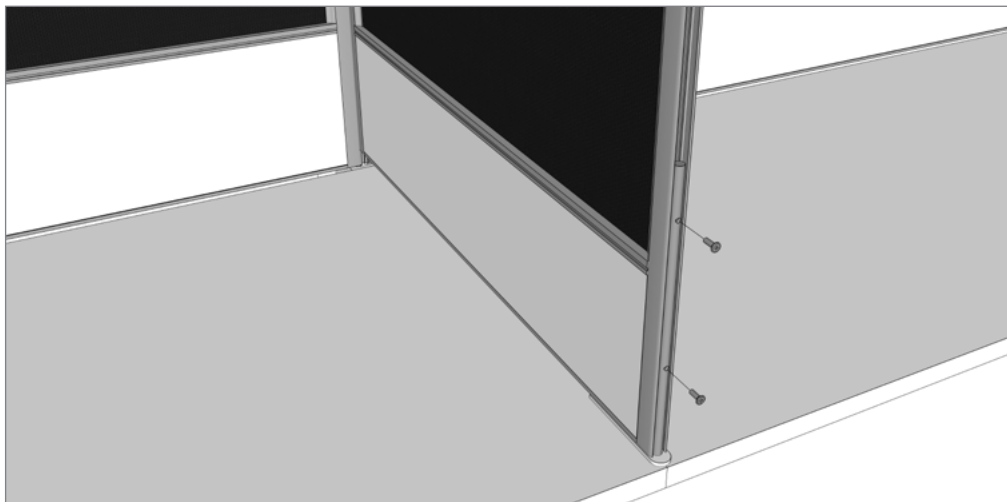
## Installation Guide



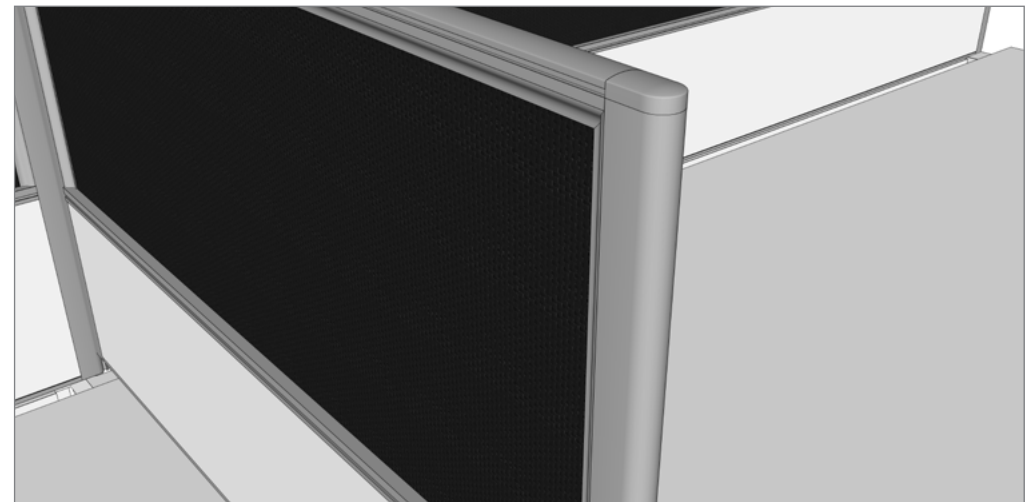
**STEP 7:** Mark out end of return screens on desk.



**STEP 8:** Remove return screen and fix bracket in place. As an alternative to screws, use 3M double sided tape to fasten return screen bracket to desk top.



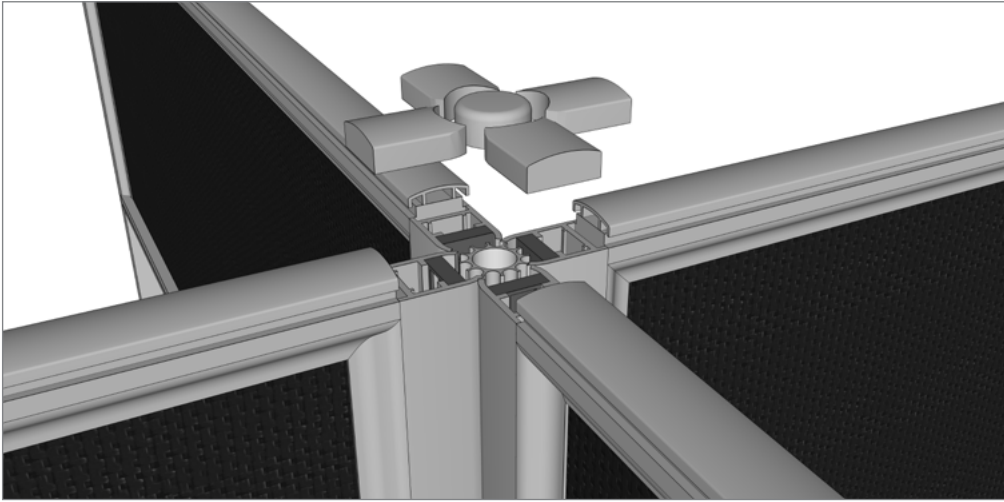
**STEP 9:** Remove return screen end seal, and attach screen to bracket with self taper screws.



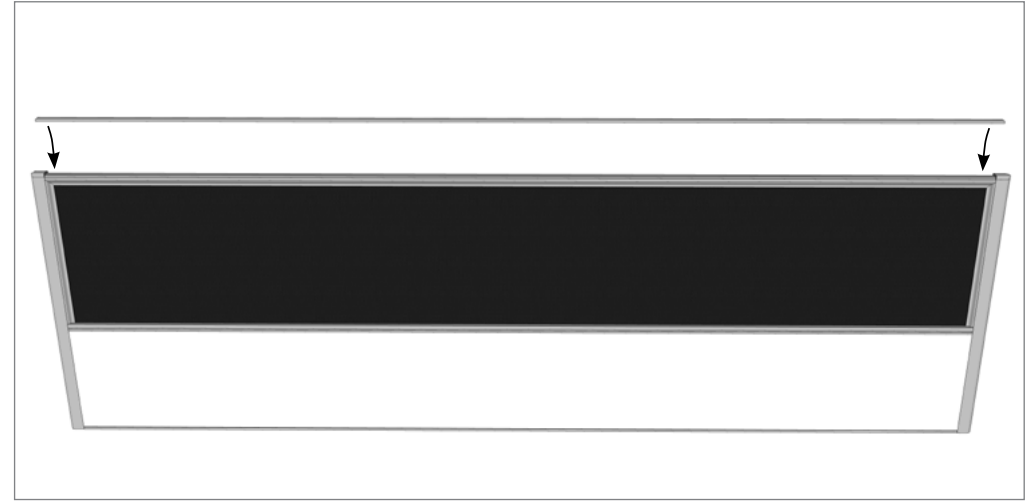
**STEP 10:** Attach return screen end seal and top cap with soft non-marking mallet.

# ANVIL STRAIGHTLINE DESK

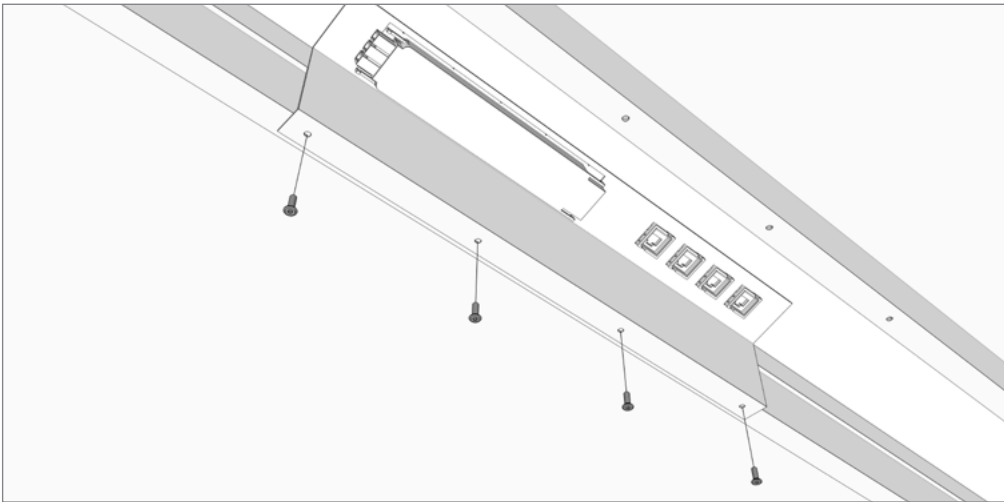
## Installation Guide



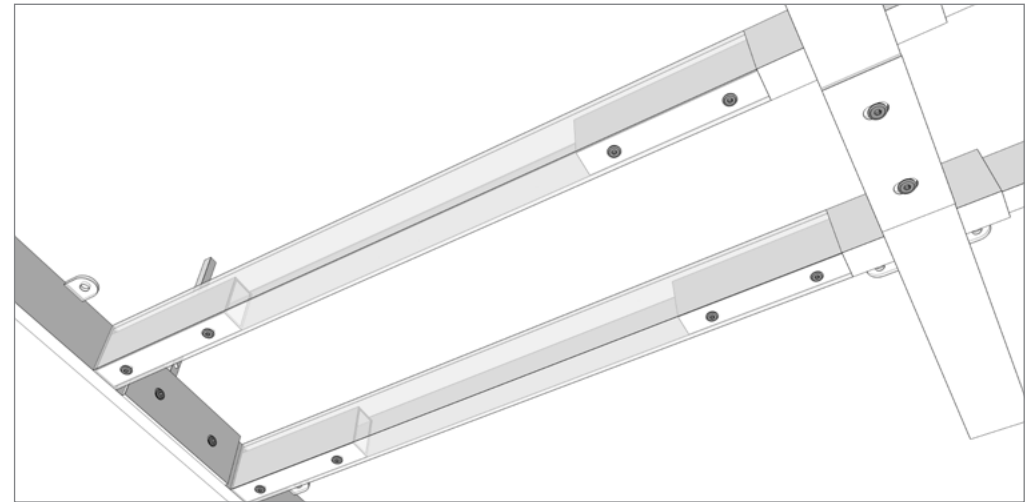
**STEP 11:** Install all top caps simultaneously down all together gently tapping with a soft non-marking mallet.



**STEP 12:** If for whatever reason you have to remove the top seal, then to refit, slightly arc in the middle, placing the 2 ends into location, & gently tap down.



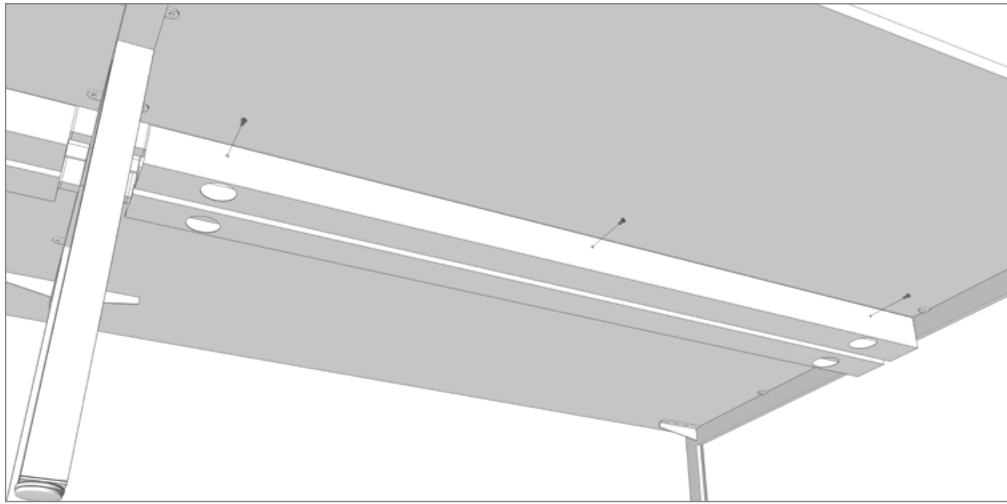
**STEP 13:** Fit power/data rails with screws into frame rail.



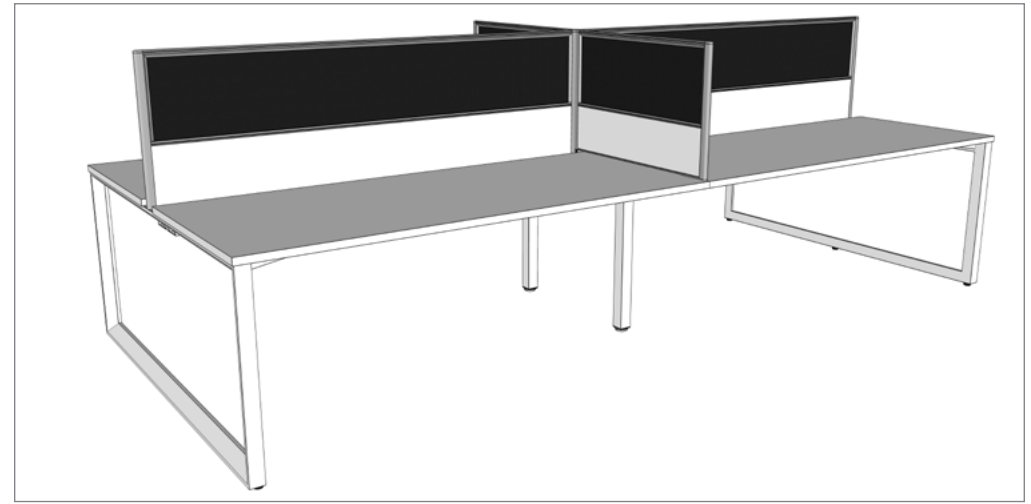
**STEP 14:** Fully tighten all rail to frame screws, & then screen bracket screws.

# ANVIL STRAIGHTLINE DESK

## Installation Guide



**STEP 15:** Attach cable trays with screws provided.



**COMPLETE**

# *Anvil System Straightline with Comseal Brushes*

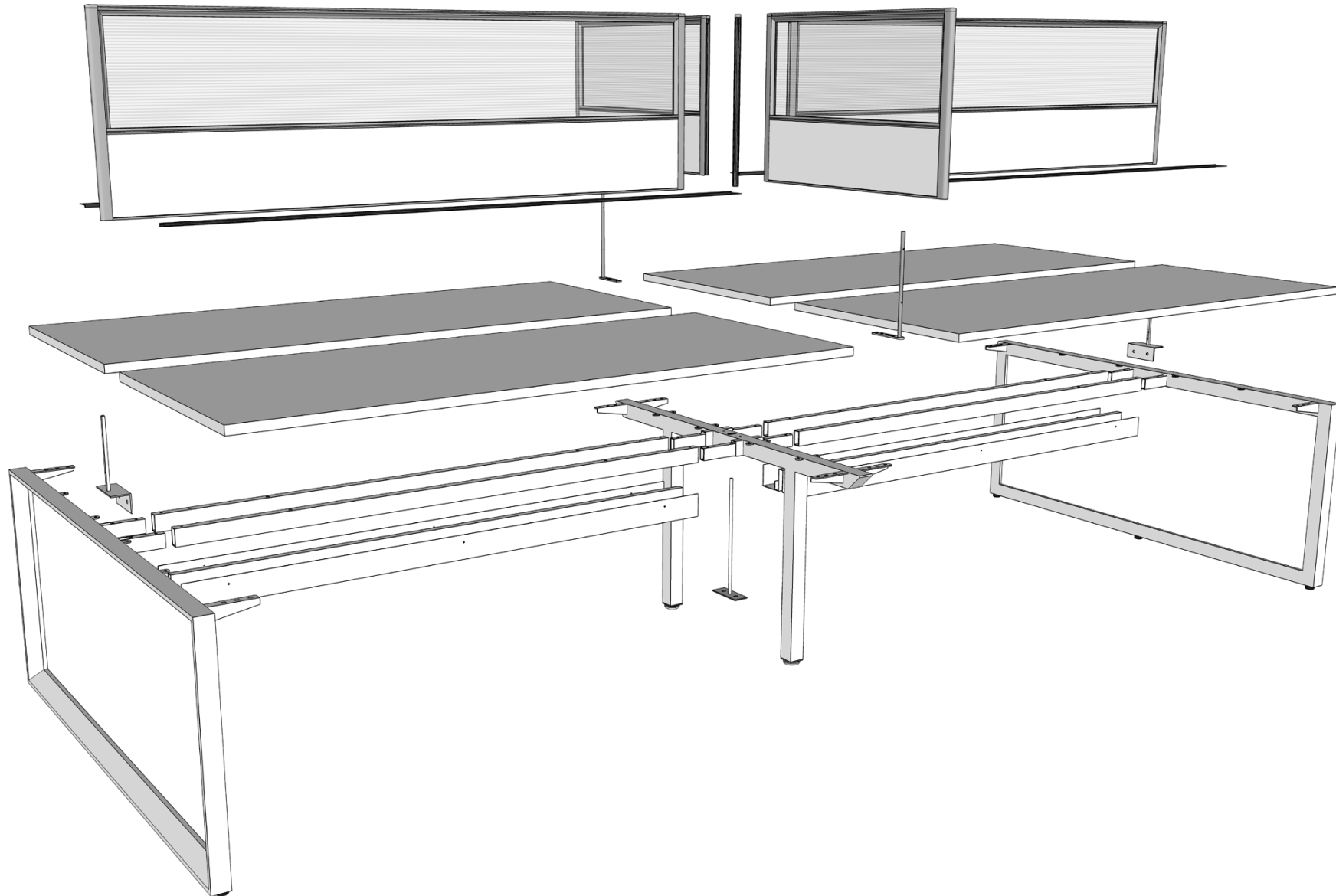
Installation Guide

---

**TOOLS REQUIRED:** Power drill

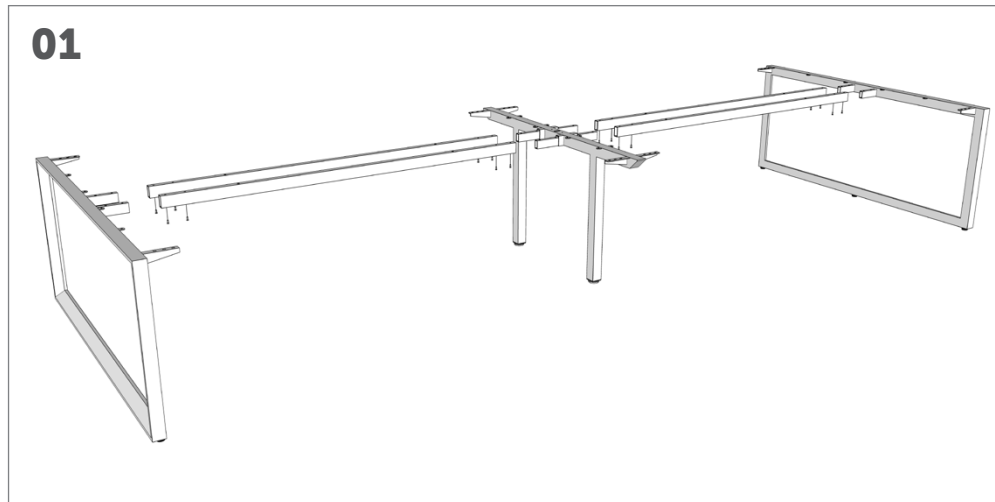
# Anvil System Straightline with Comseal Brushes

INSTALLATION GUIDE

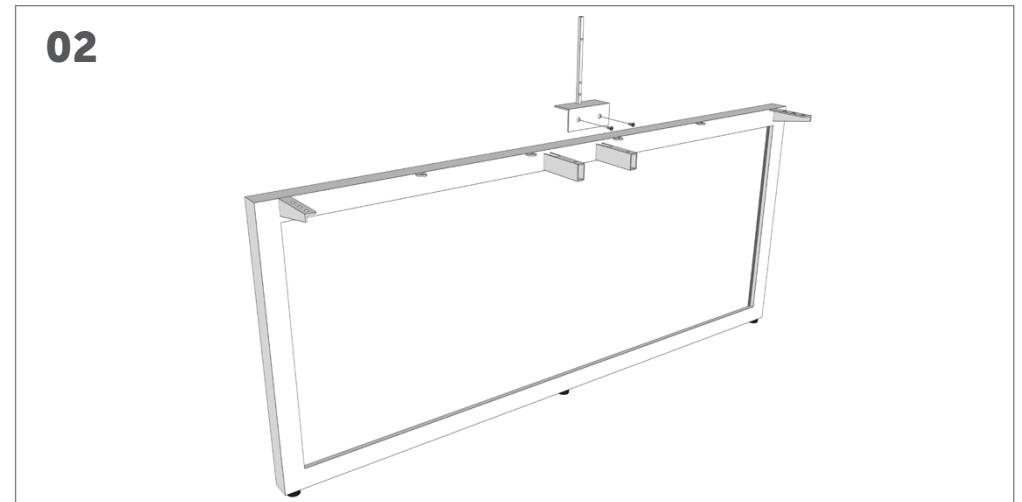


# Anvil System Straightline with Comseal Brushes

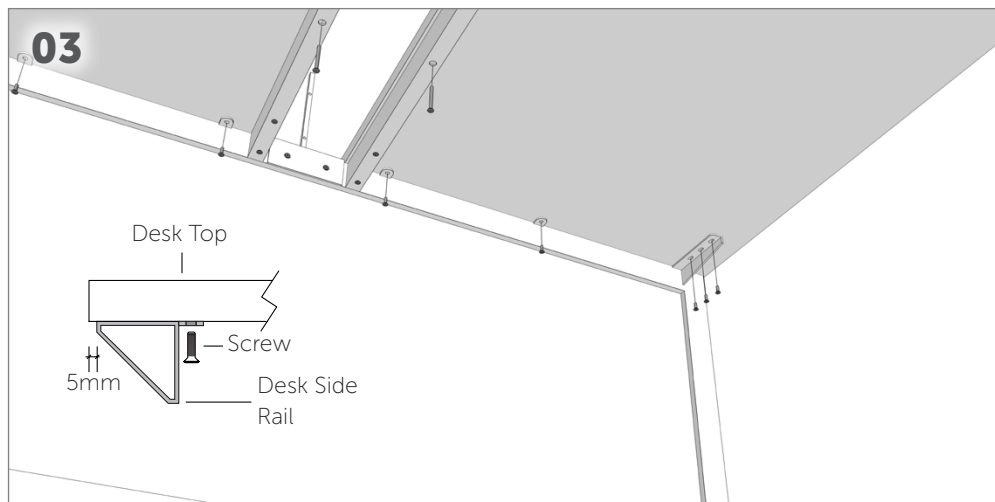
## INSTALLATION GUIDE



Assemble frames & rails together, **loosely** (1 turn from tight).



Assemble screen brackets to frame, **loosely** (1 turn from tight).



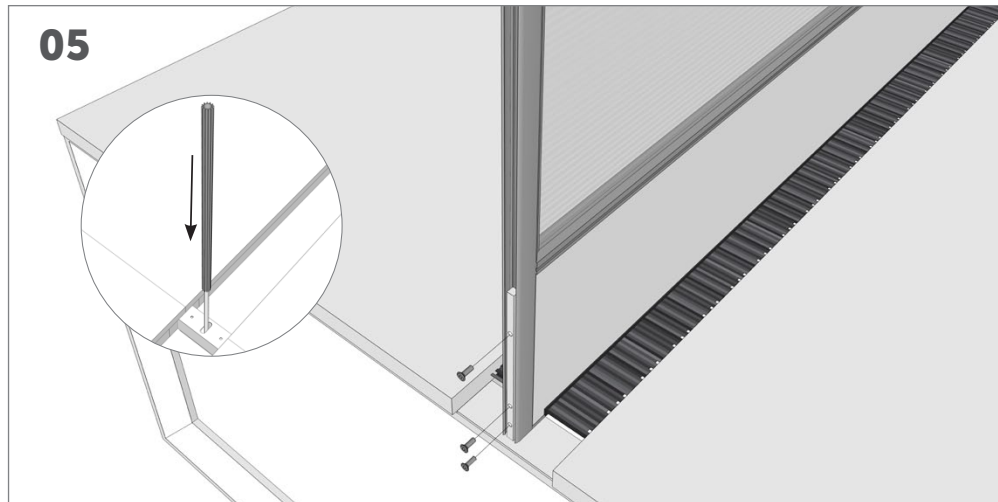
Fix desk top with 5mm overhang over metal frame. Where desk tops butt together, make sure these are fitted tight together.



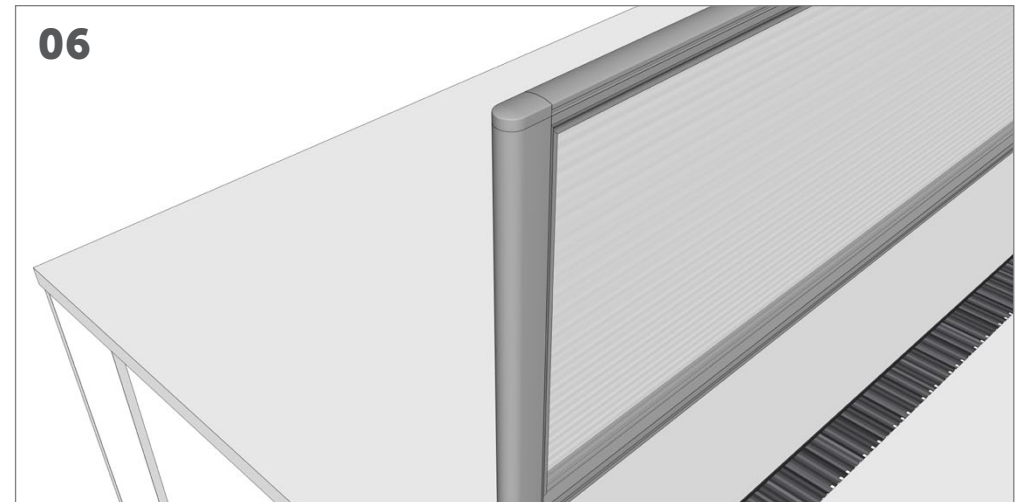
Screw fix the Comseal cable brushes to the base screen. Locate the correct height by resting the black Comseal extrusion against the top lip of the anodised bottom rail of the screen.

# Anvil System Straightline with Comseal Brushes

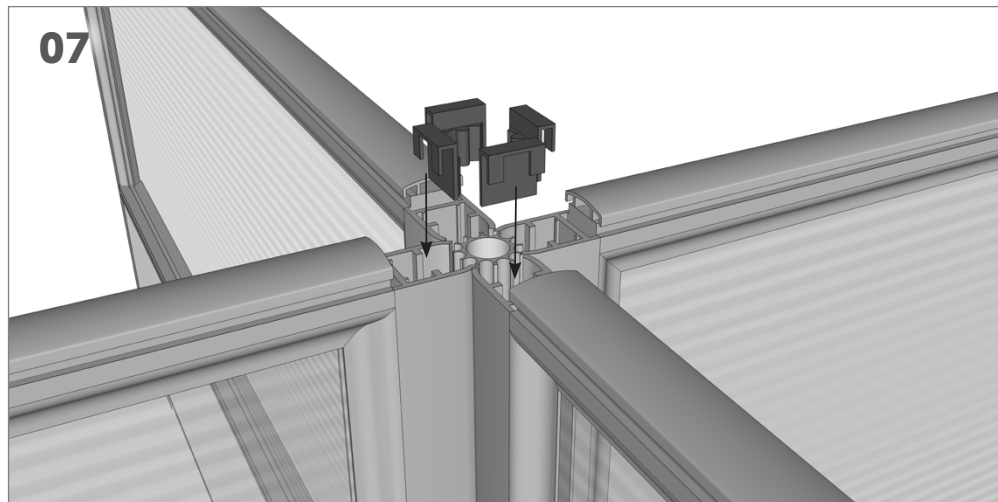
INSTALLATION GUIDE



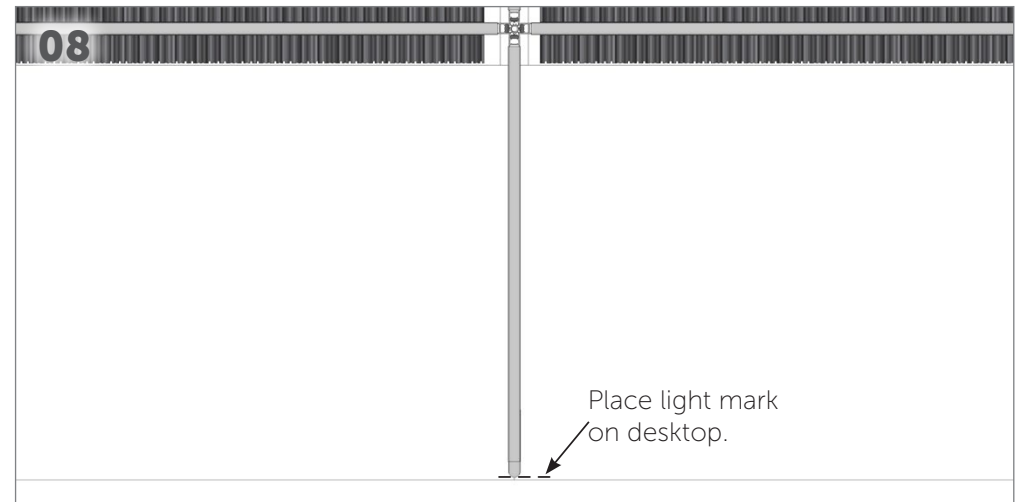
05 Slide centre screen pole over bracket. Carefully remove end seal on centre screens & fit screen between end brackets & screw self tappers to fix screen tightly.



06 Attach centre screen end seal and top cap with soft non-marking mallet.



07 Attach screens to centre pole with top slug connectors.

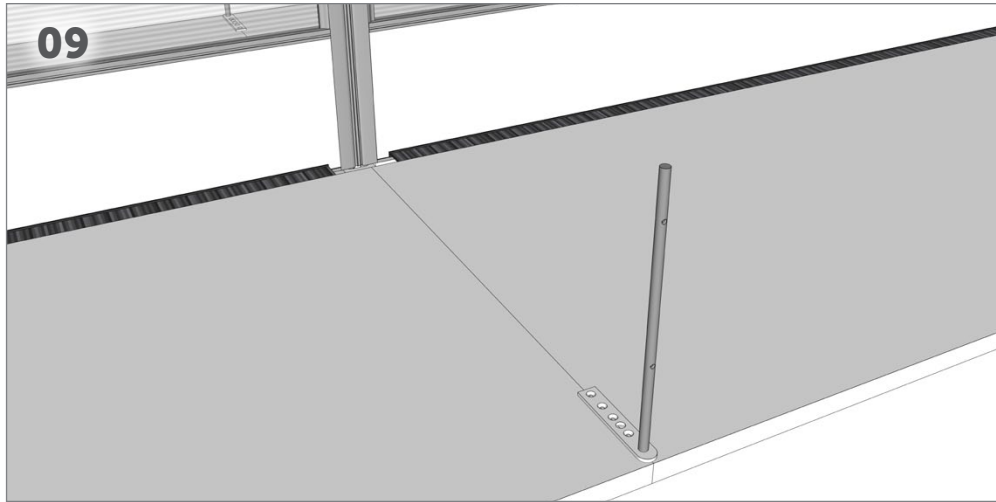


08 Mark out end of return screens on desk.

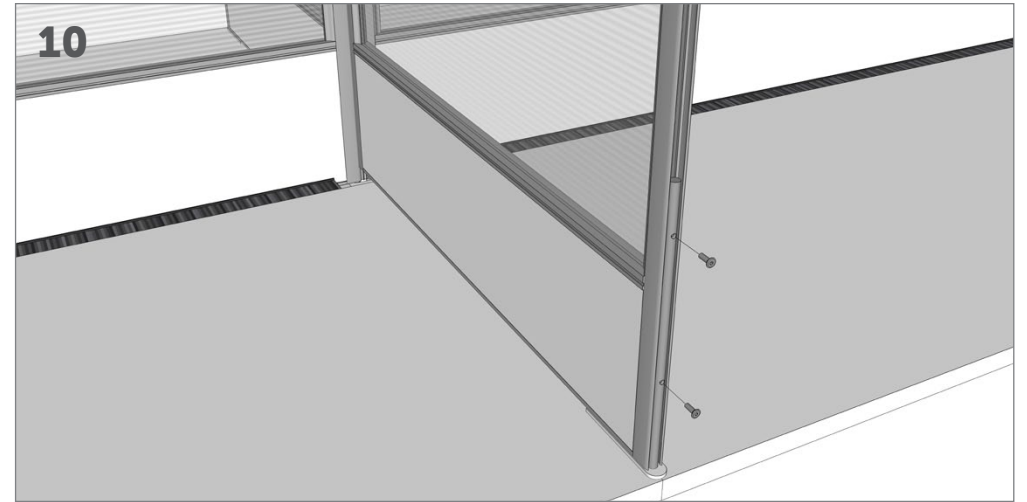


# Anvil System Straightline with Comseal Brushes

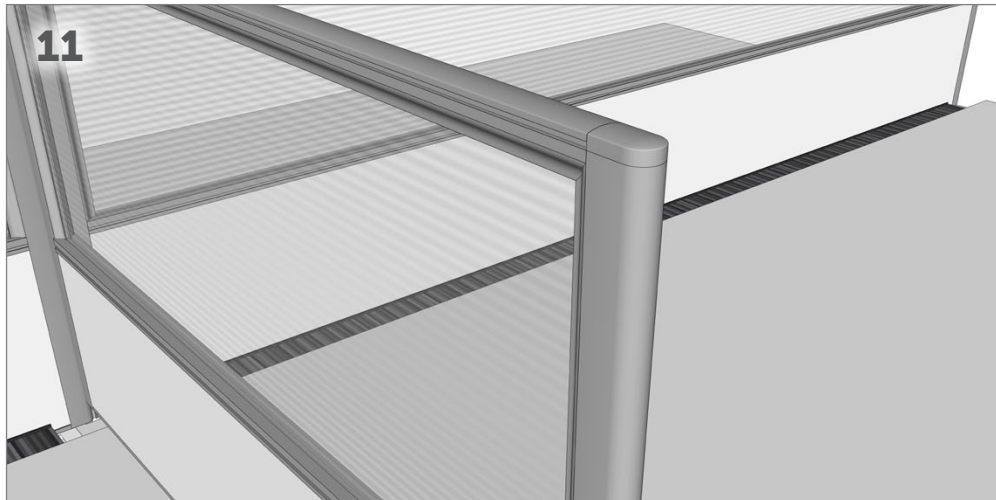
INSTALLATION GUIDE



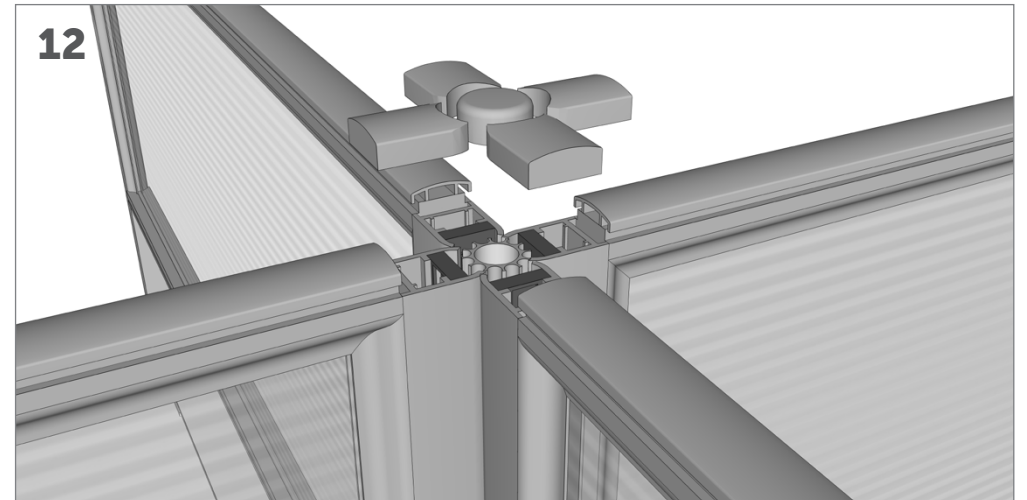
**09**  
Remove return screen and fix bracket in place. As an alternative to screws, use 3M double sided tape to fasten return screen bracket to desk top.



**10**  
Remove return screen end seal, and attach screen to bracket with self taper screws.



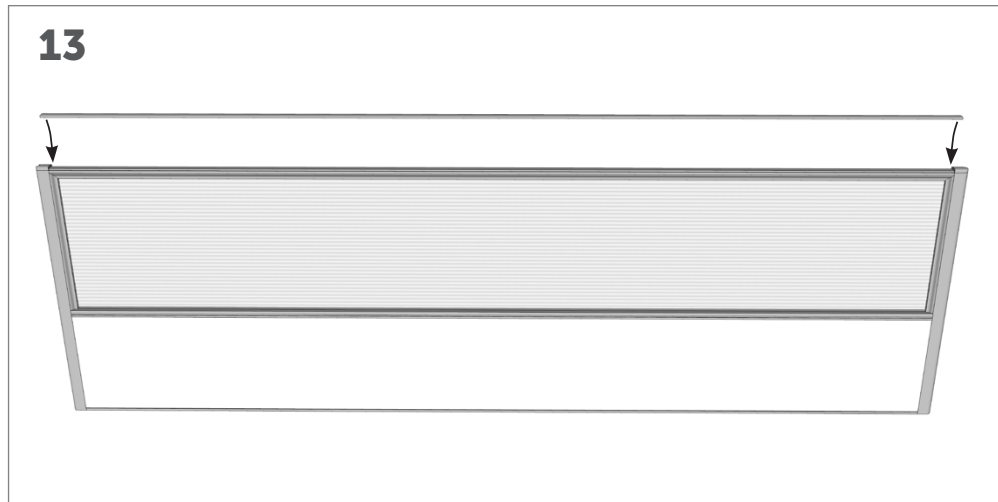
**11**  
Attach return screen end seal and top cap with soft non-marking mallet.



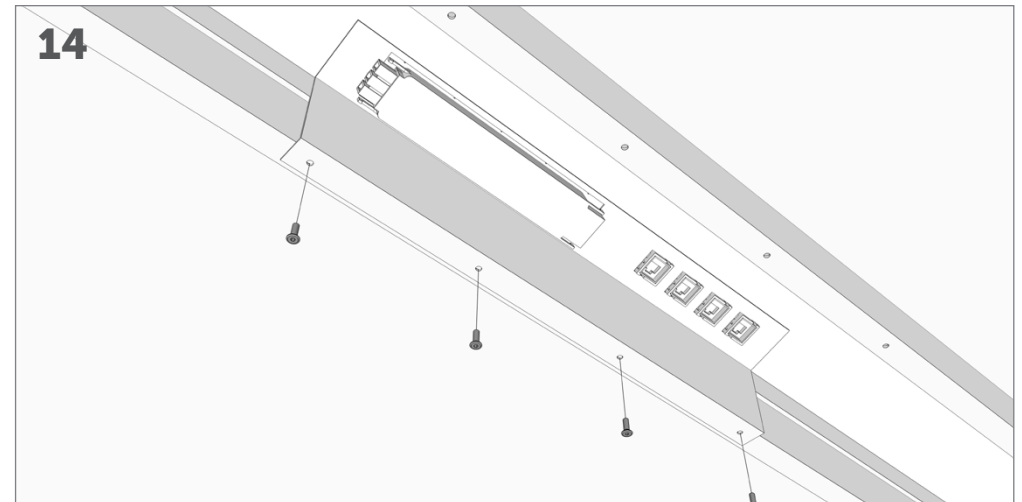
**12**  
Install all top caps simultaneously down all together gently tapping with a soft non-marking mallet.

# Anvil System Straightline with Comseal Brushes

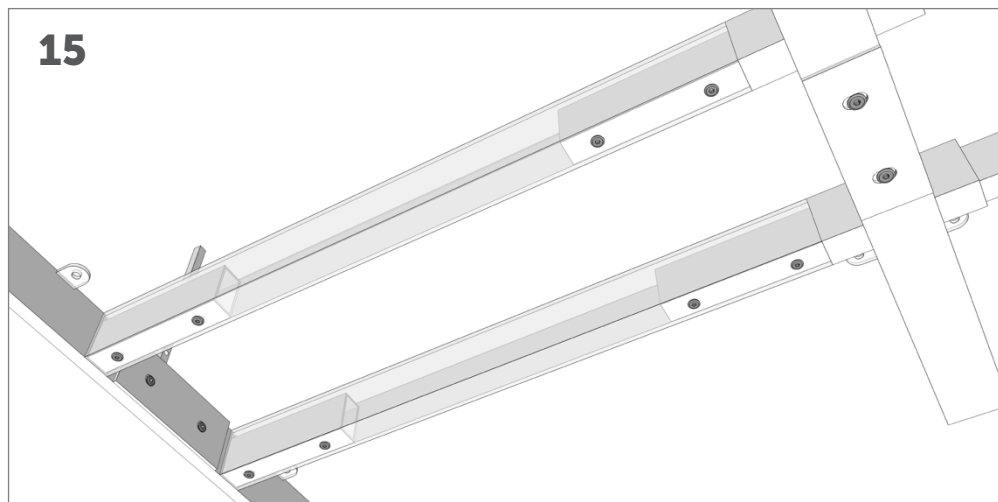
INSTALLATION GUIDE



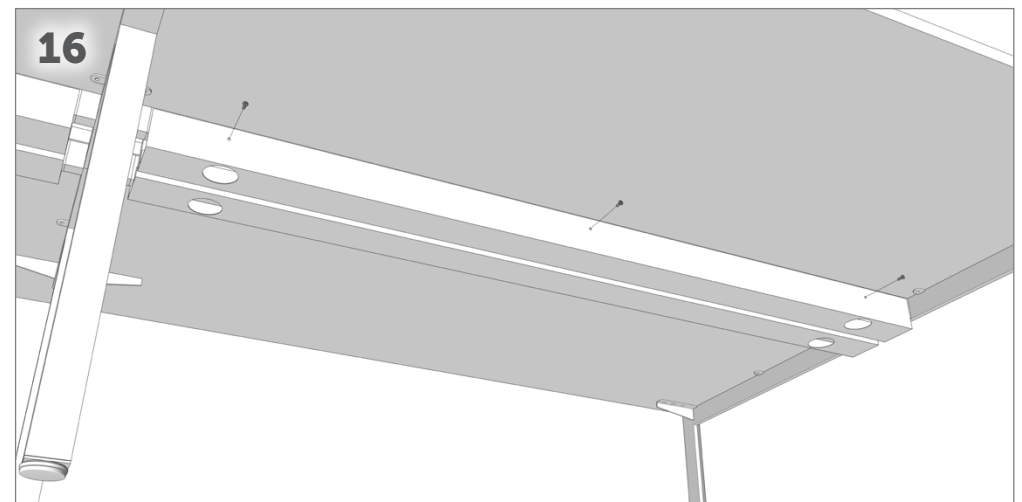
If for whatever reason you have to remove the top seal, then to refit, slightly arc in the middle, placing the 2 ends into location, & gently tap down.



Fit power/data rails with screws into frame rail.



Fully tighten all rail to frame screws, & then screen bracket screws.



Attach cable trays with screws provided.

# Anvil System Straightline with Comseal Brushes

INSTALLATION GUIDE

