

Axis/Anvil Single-Sided Desking

Installation Guide

TOOLS REQUIRED: Power drill

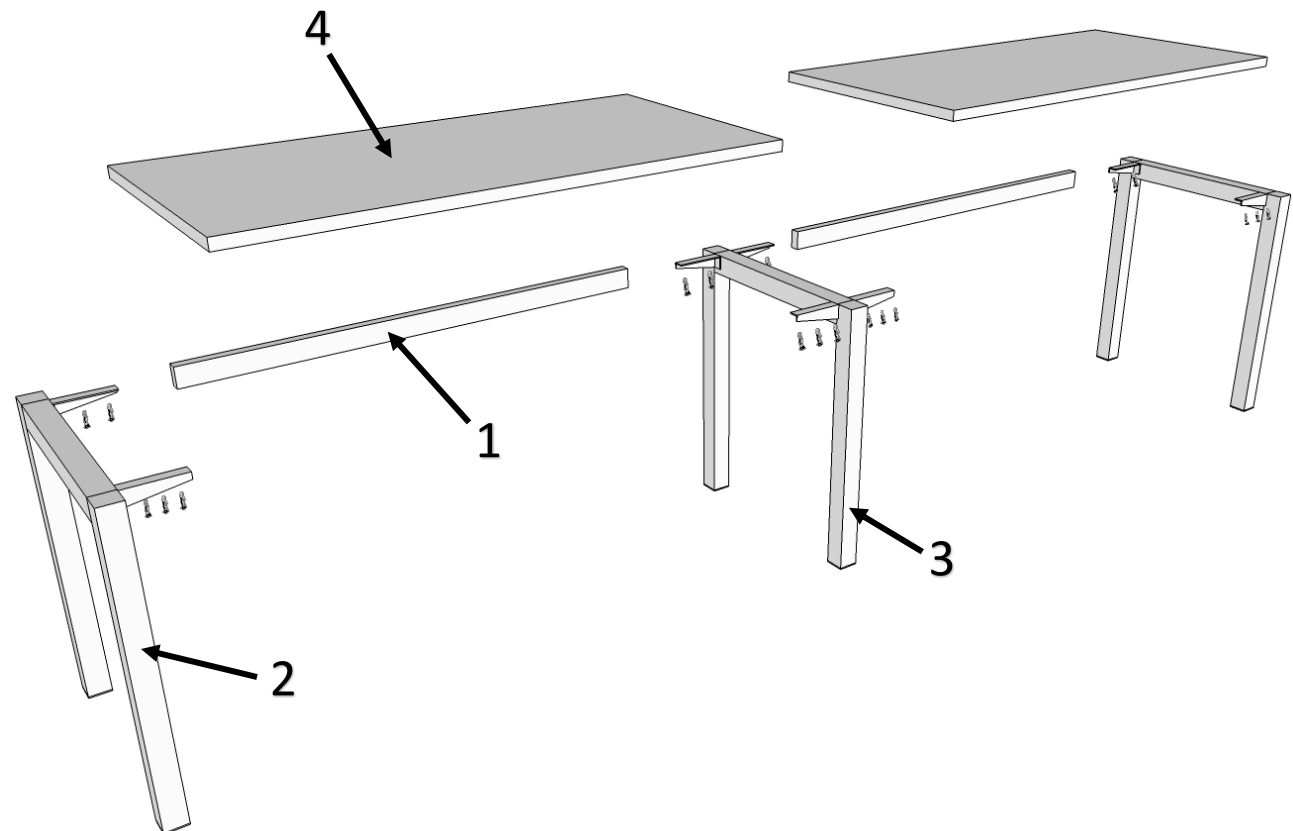
Axis/Anvil Single-Sided Desking

INSTALLATION GUIDE

Parts Included:

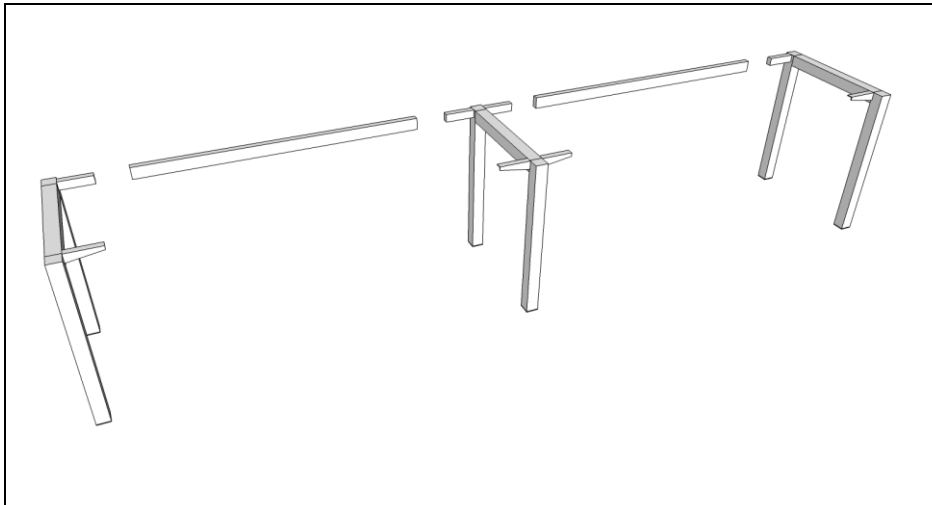
Components

- 1.....AXRAIL-xxxA/W
- 2.....AXLEGDxxx-US/W
- 3.....AXLEGDxxx-US/SW
- 4.....Table Top

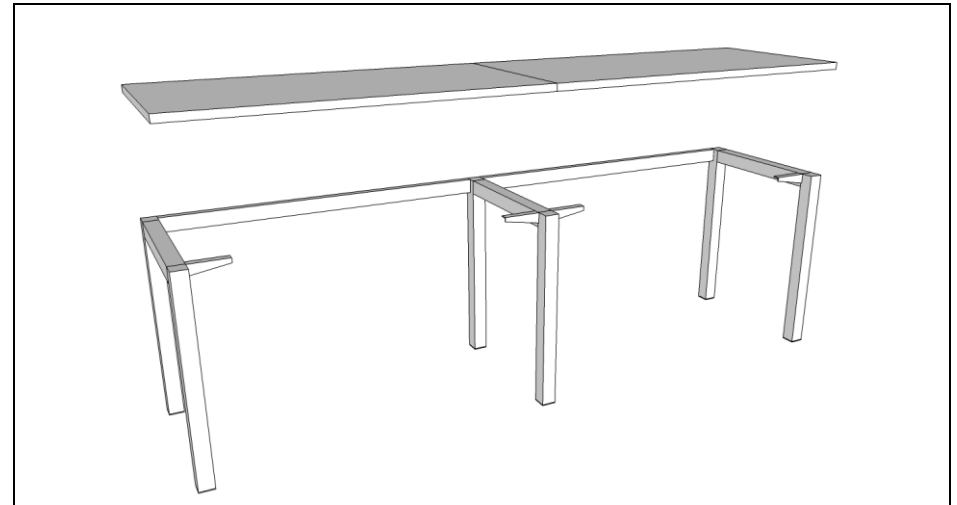


Axis/Anvil Single-Sided Desking

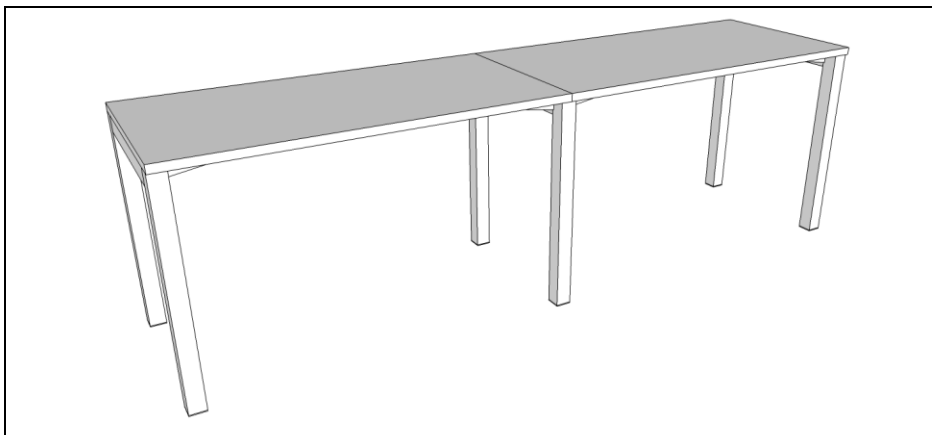
INSTALLATION GUIDE



Assemble the frames as shown, leaving the screws one turn from tight.



Once the frames have been assembled and squared up, place the table tops onto the frame and position them. There should be a 5mm overhang on all sides. Secure tops with self-tapping wood screws.



Tighten all screws to maximum tension.

Axis/Anvil Single-Sided Desking

INSTALLATION GUIDE

