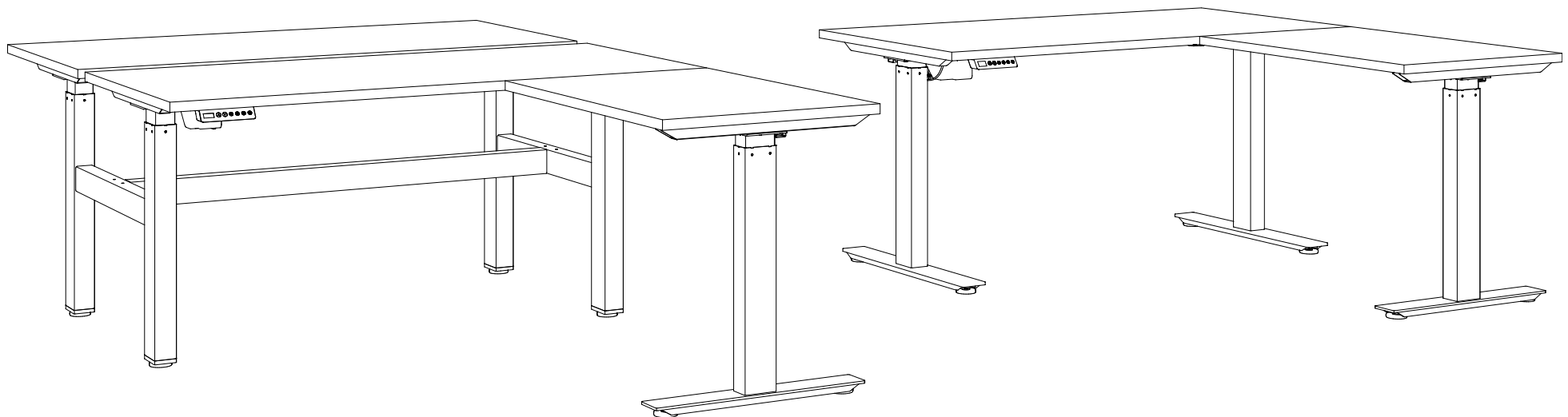


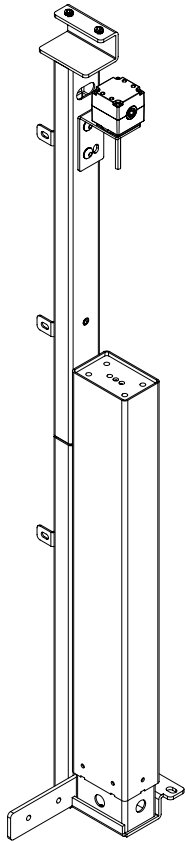
# Agile

## Installation Guide - Electric 2 Column Right Hand Return For Single & Double Desk

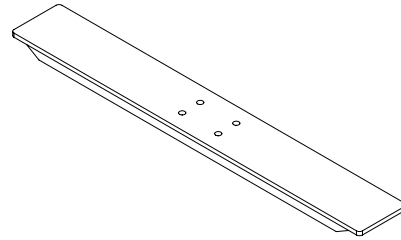
---



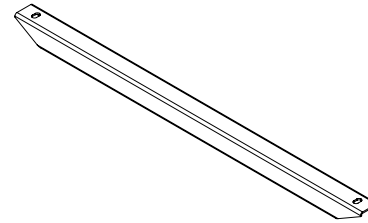
**Parts:**



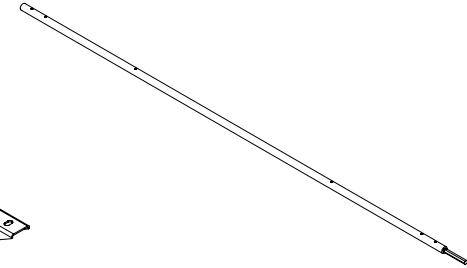
1 x Return Leg



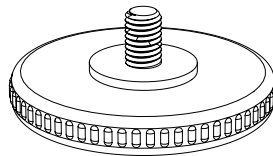
1 x Foot



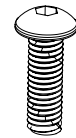
1 x Support Bar



1 x Drive Bar



2 x Levelling Foot



4 x M8x25



5 x ST5x23

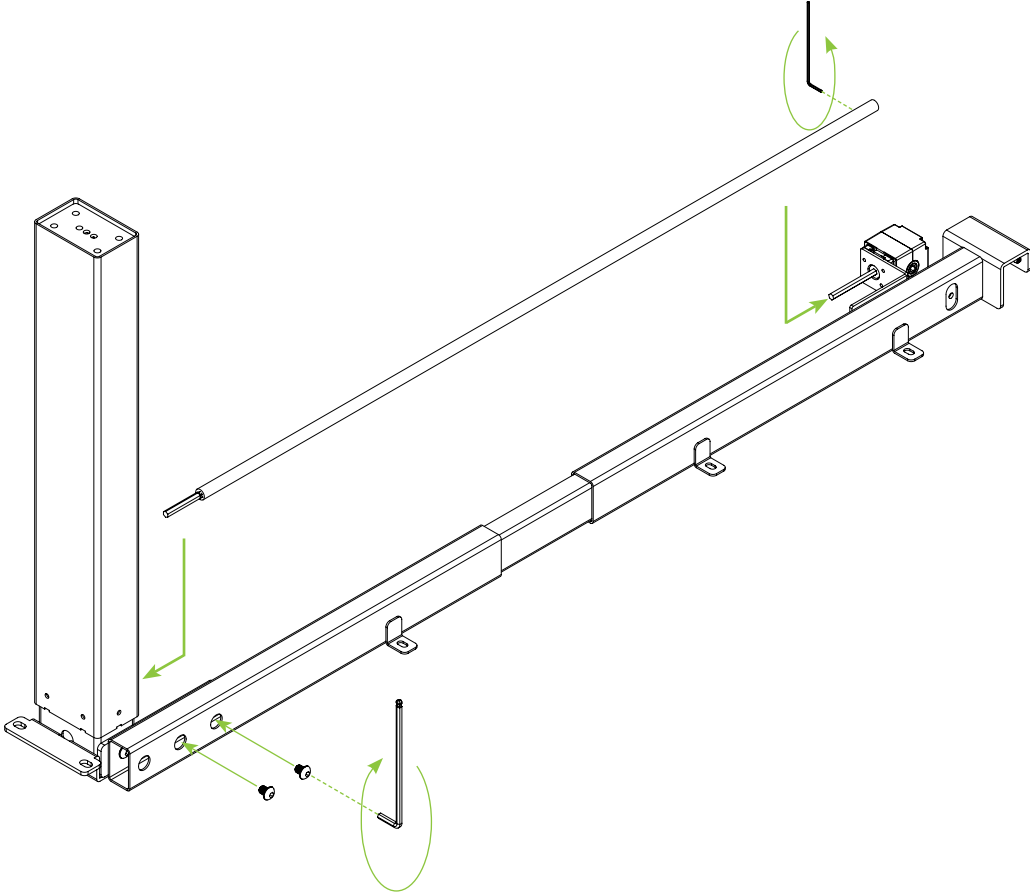


4 x M8x10

**Step 1**



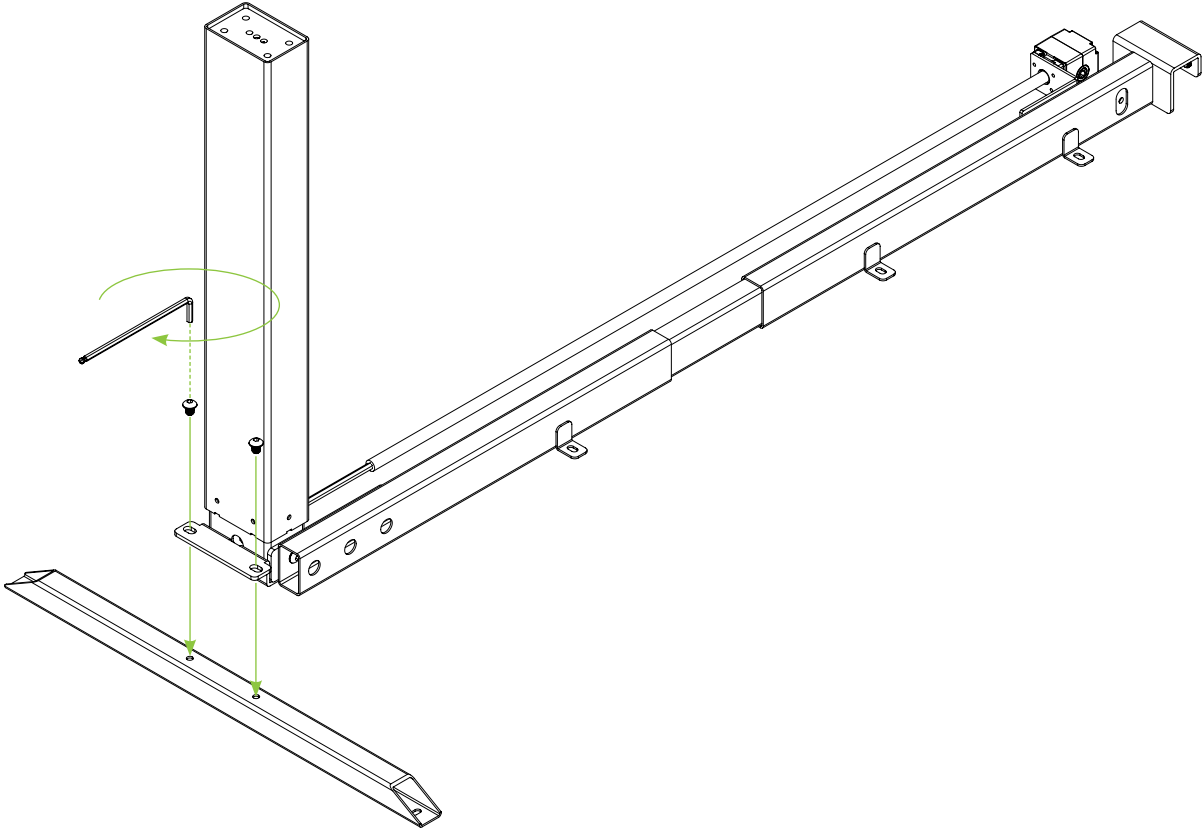
2 x M8x10



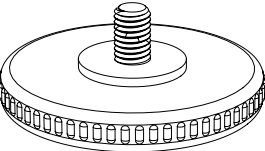
**Step 2**



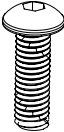
2 x M8x10



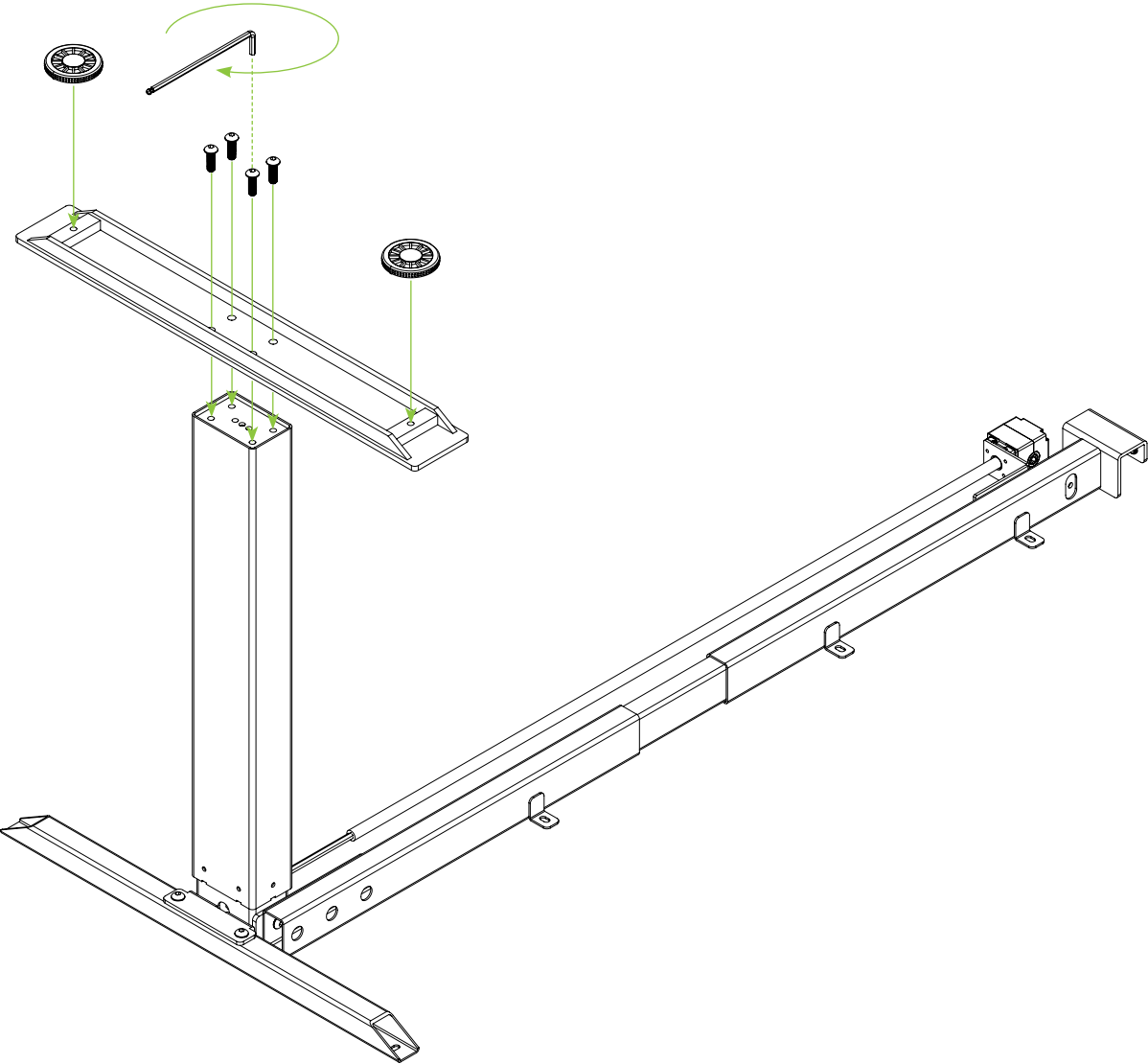
**Step 3**

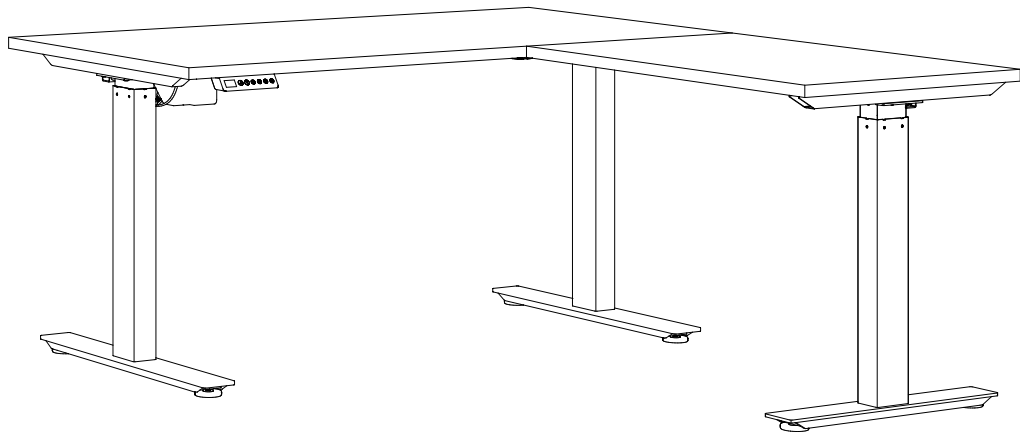


2 x Levelling Foot



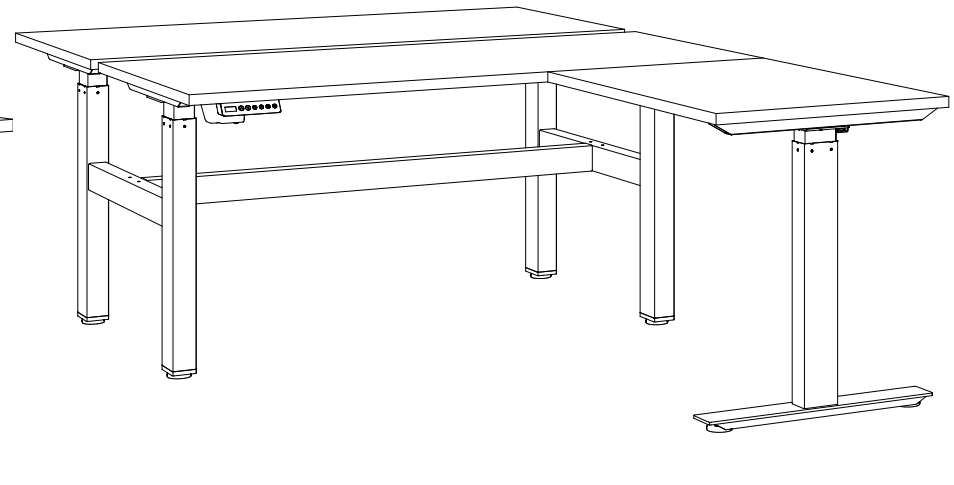
4 x M8x25





**Option 1 - Electric 2 Column Right  
Hand Return for Single Desk**

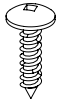
Go to page 7



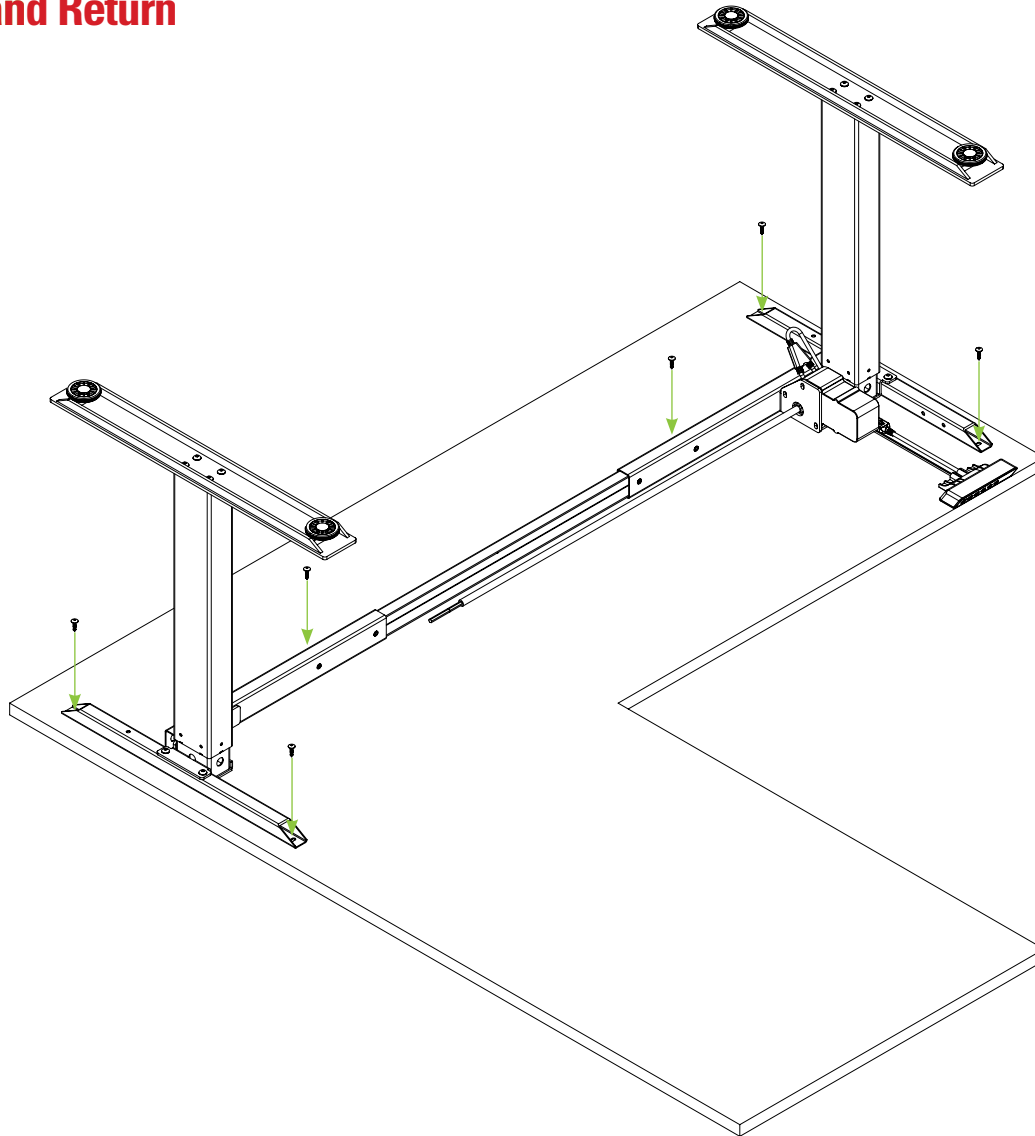
**Option 2 - Electric 2 Column Right  
Hand Return for Double Desk**

Go to page 11

**Option 1: Single Desk and Return**  
**Step 4**

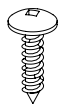


6 x ST5x23

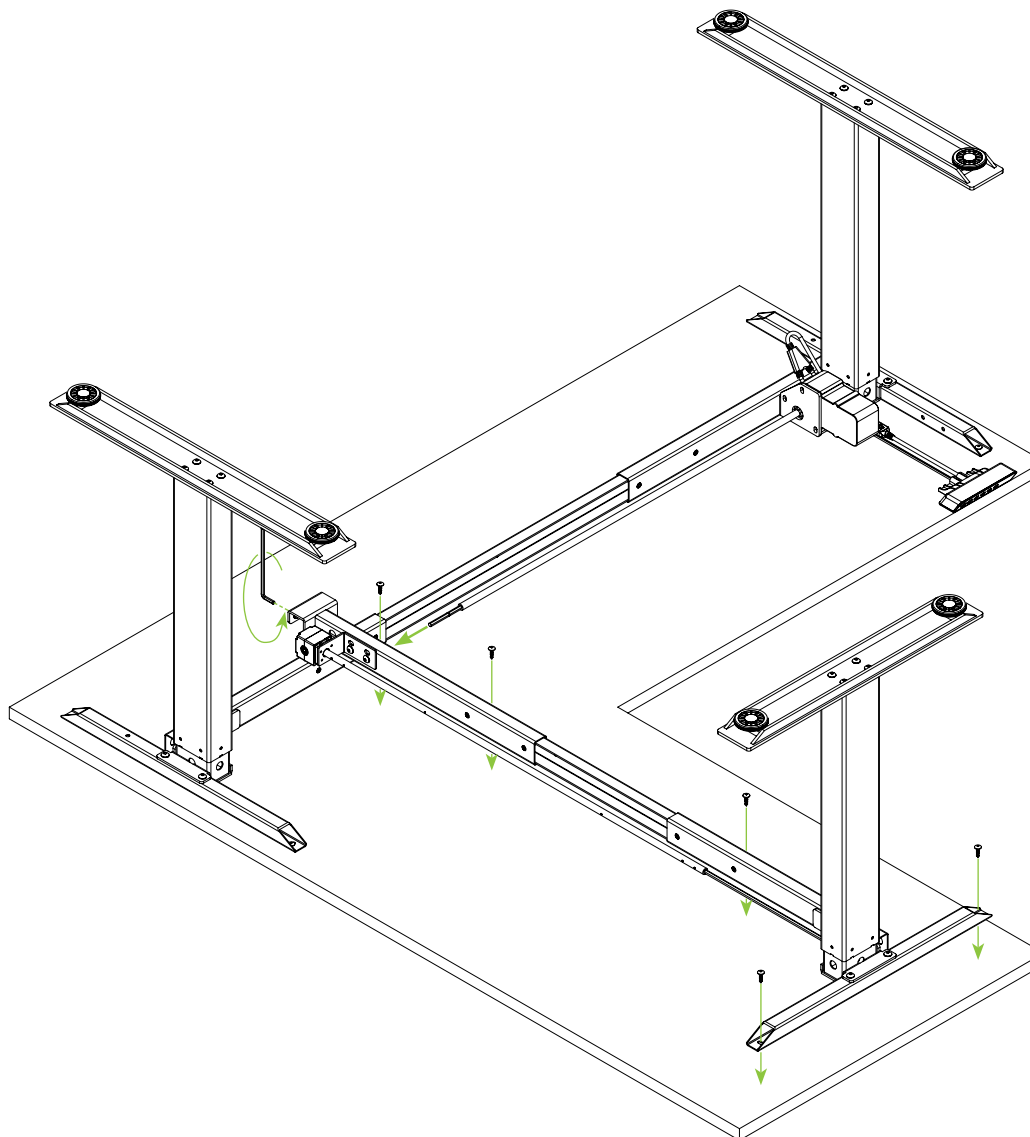


**IMPORTANT!**  
REFER TO SETPS 1-4 OF SINGLE-SIDED  
ELECTRIC 2 COLUMN DESK INSTALLATION  
GUIDE TO ASSEMBLE DESK FRAME.

**Step 5**

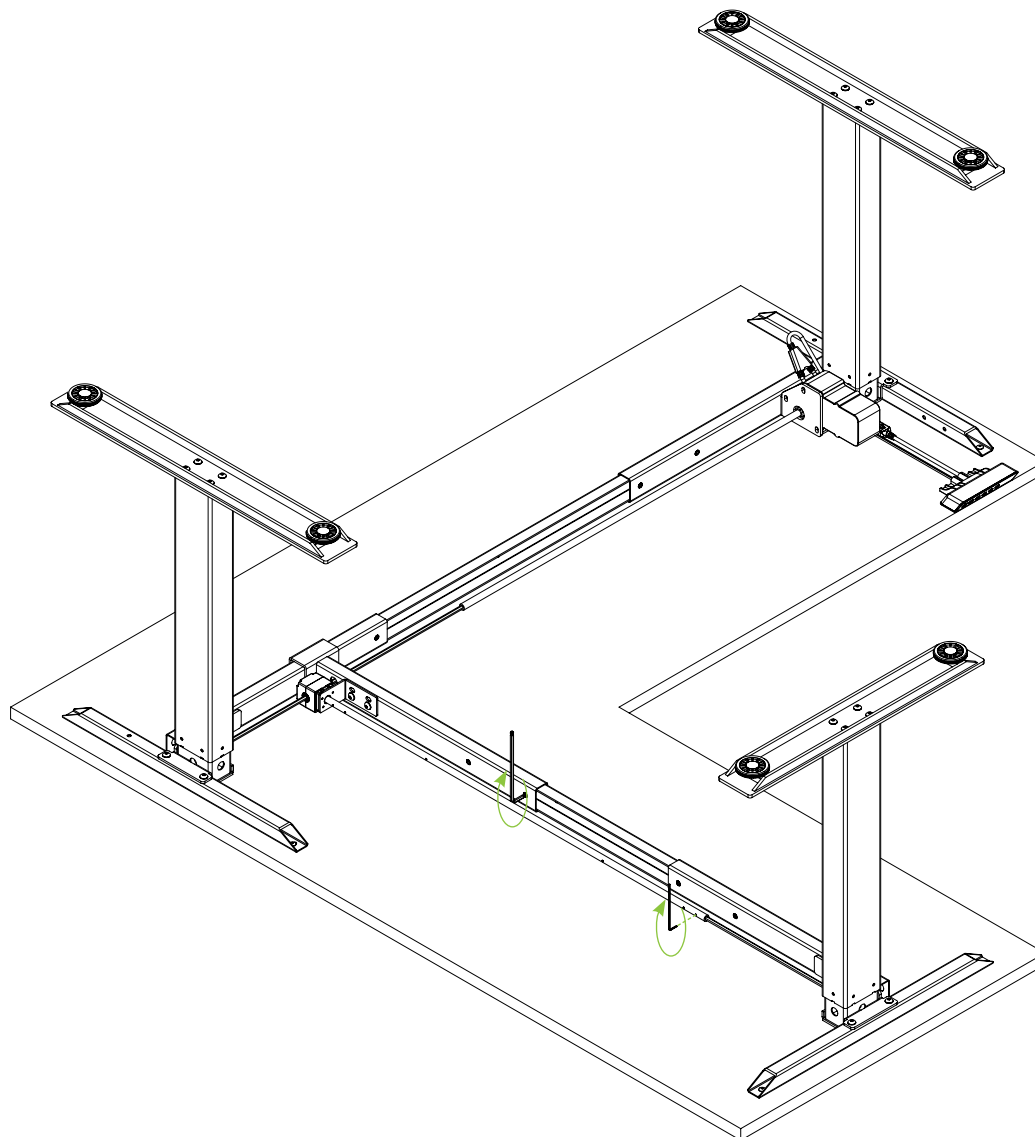


5 x ST5x23

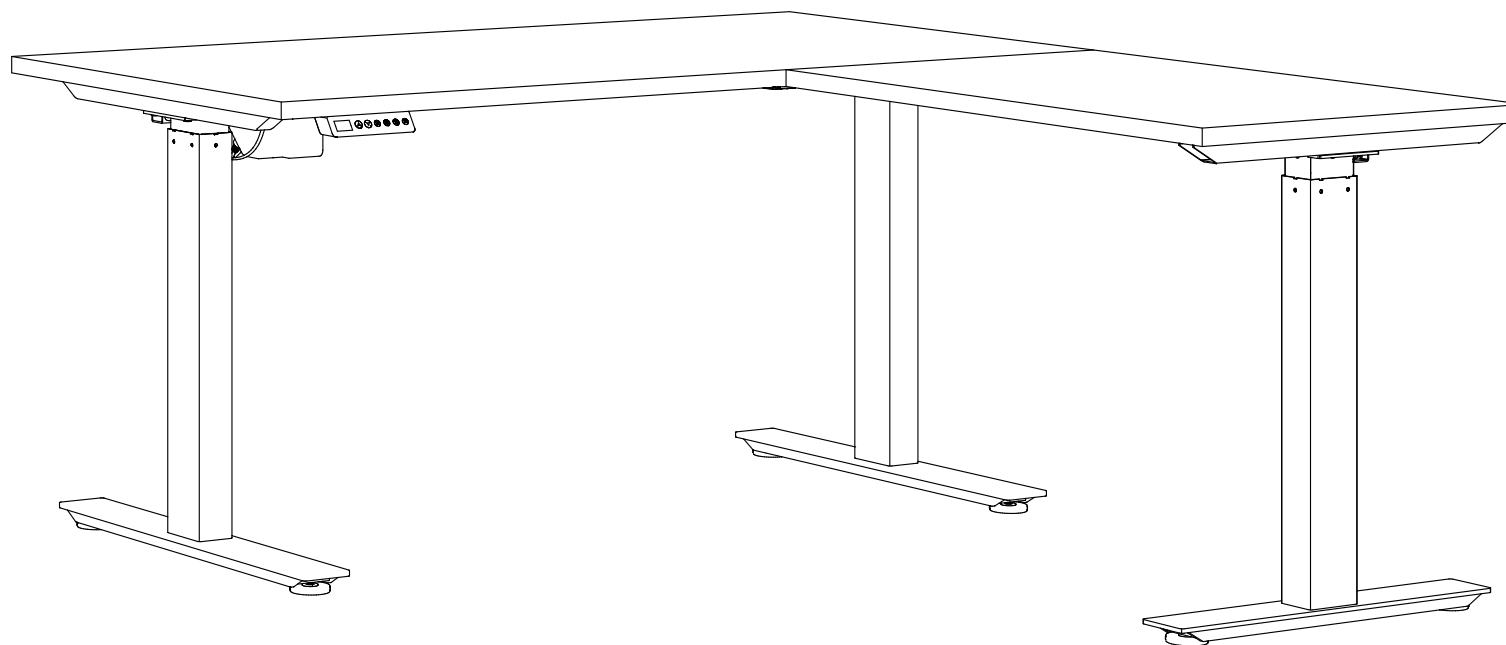




**Step 6**

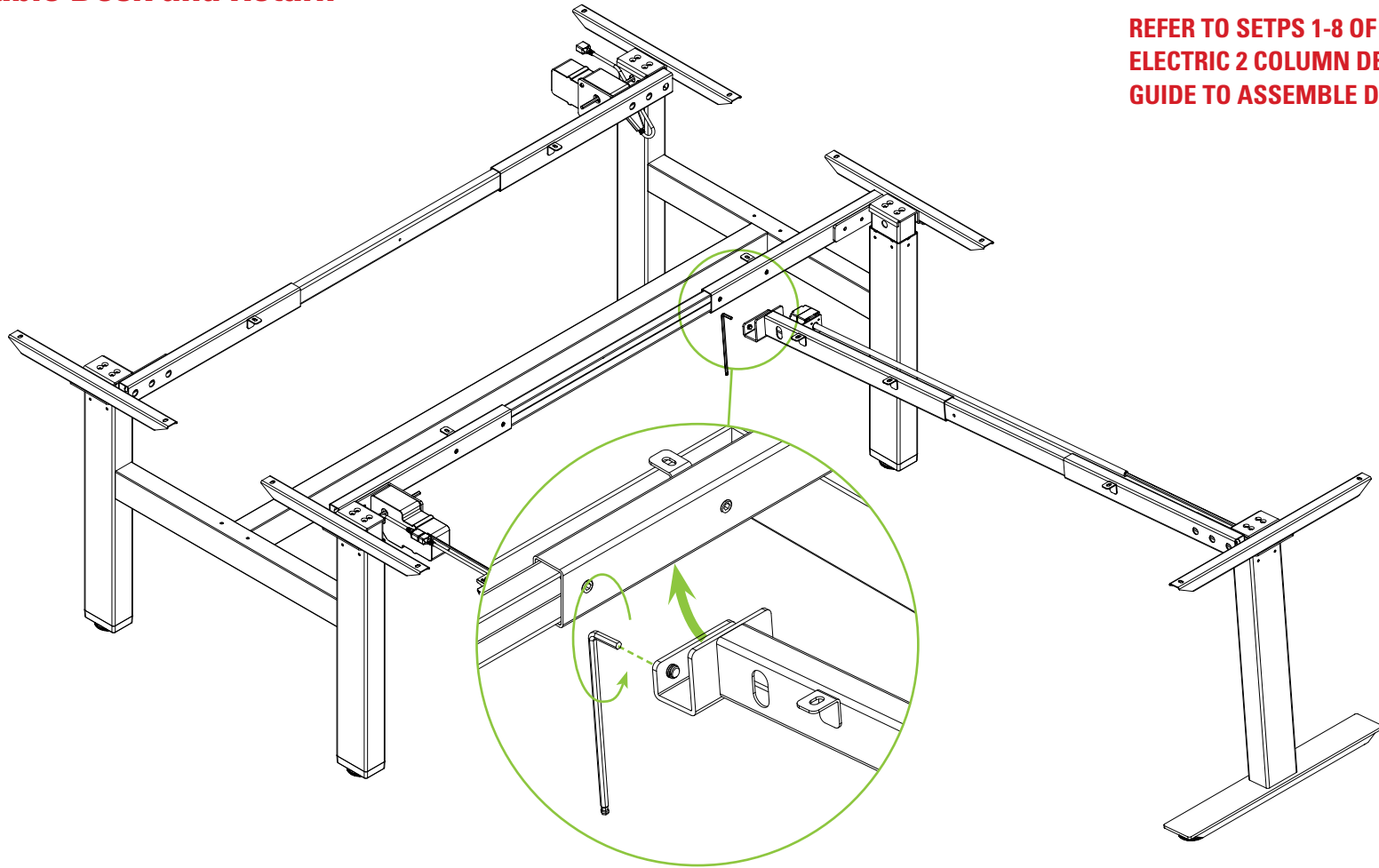


**Completed**

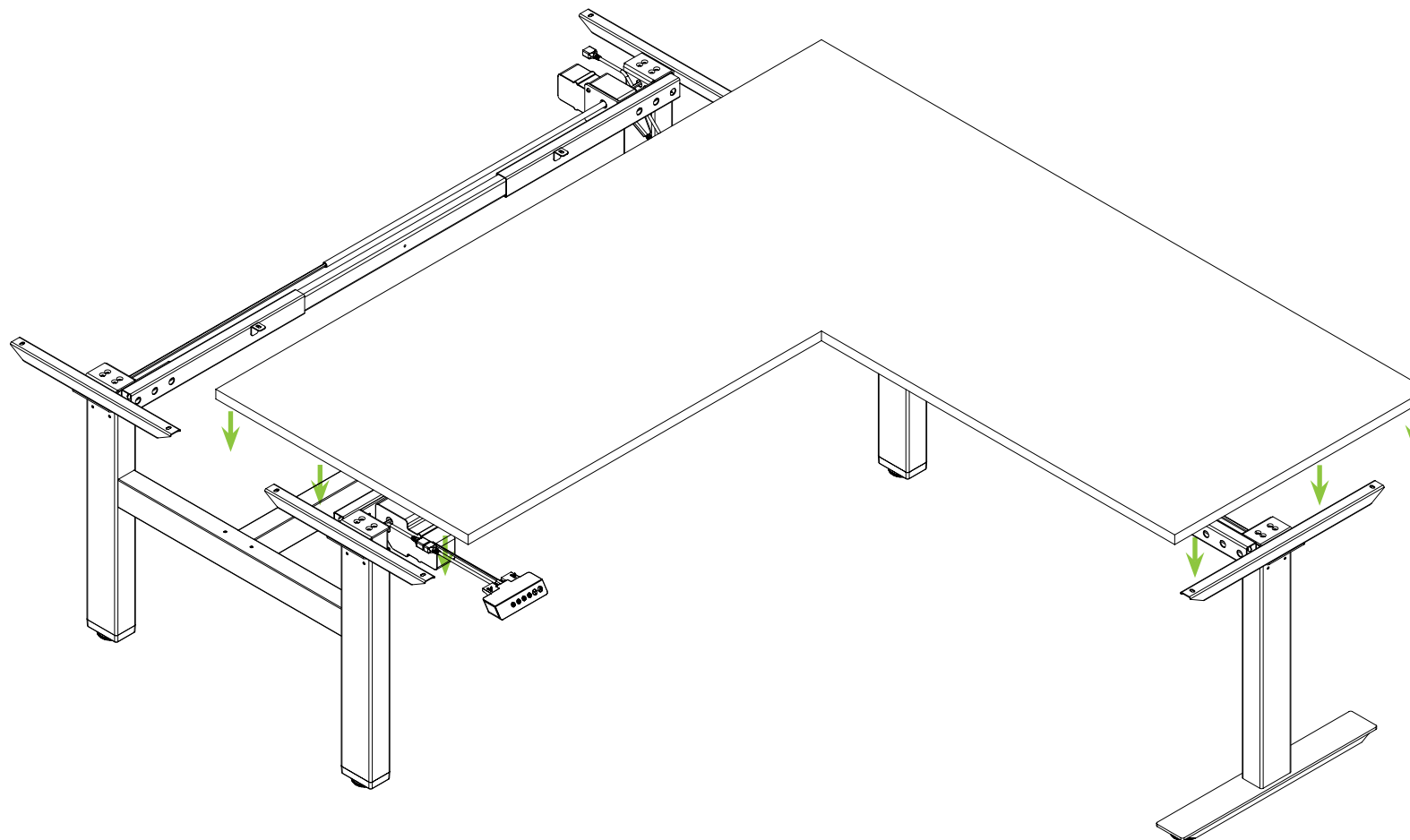


**Option 2: Double Desk and Return**  
**Step 4**

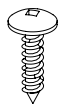
**IMPORTANT!**  
REFER TO SETPS 1-8 OF DOUBLE-SIDED  
ELECTRIC 2 COLUMN DESK INSTALLATION  
GUIDE TO ASSEMBLE DESK FRAME.



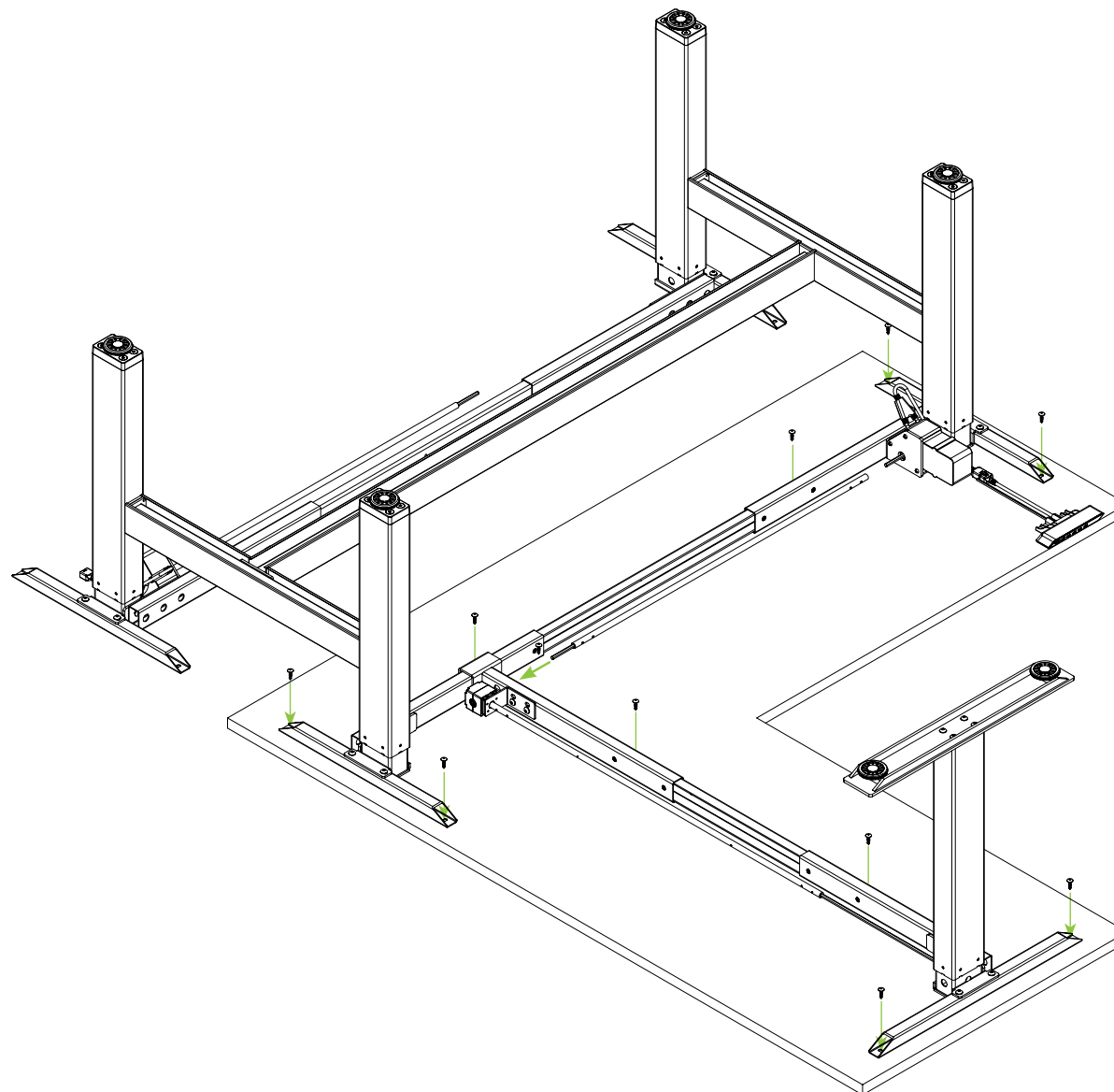
**Step 5**



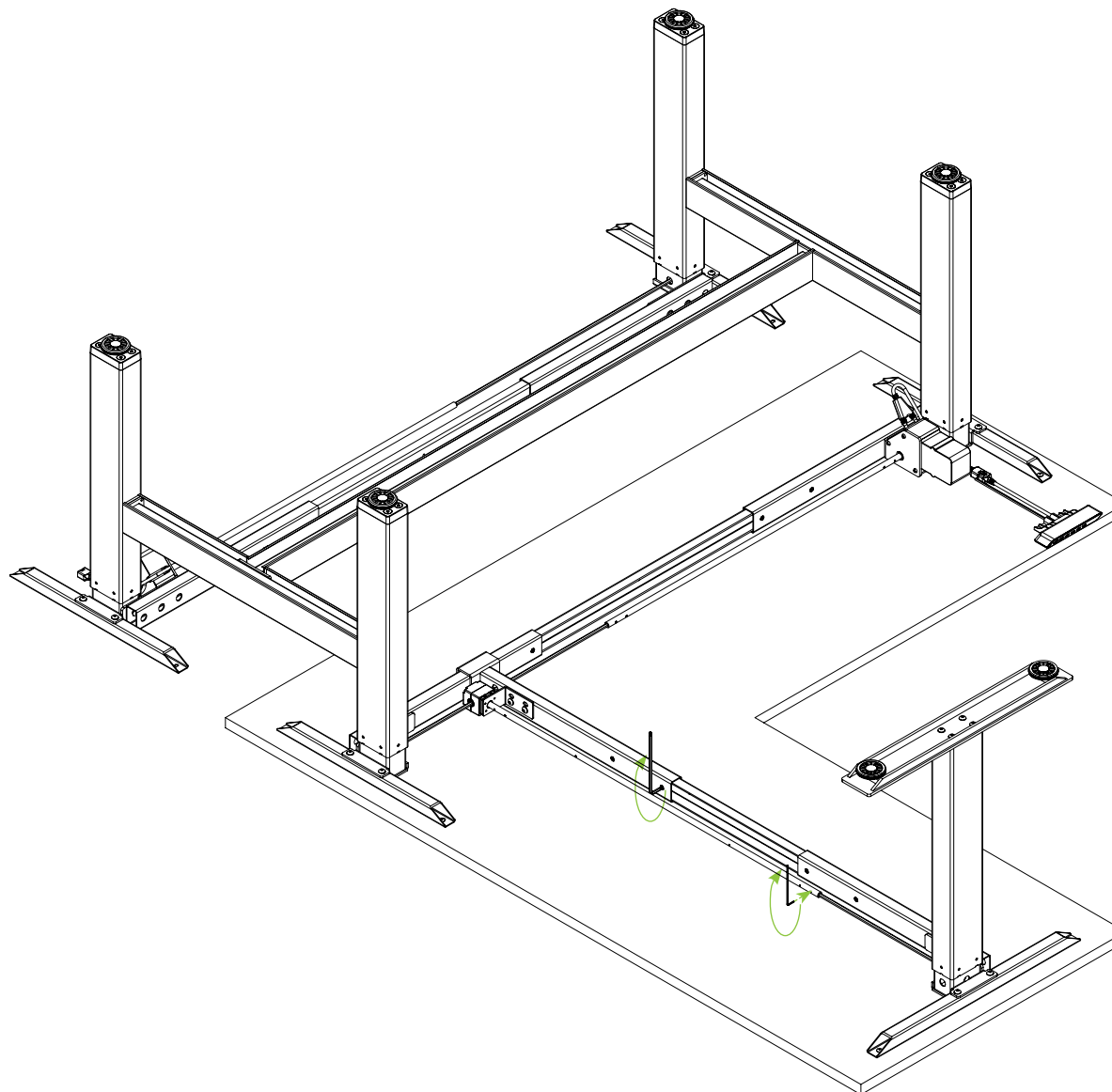
**Step 6**



11 x ST5x23



**Step 7**



**Completed**

