

# *Axis Bar Leaner*

## Installation Guide

---

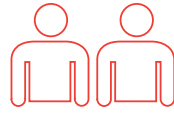
**TOOLS REQUIRED:** Powered screwdriver



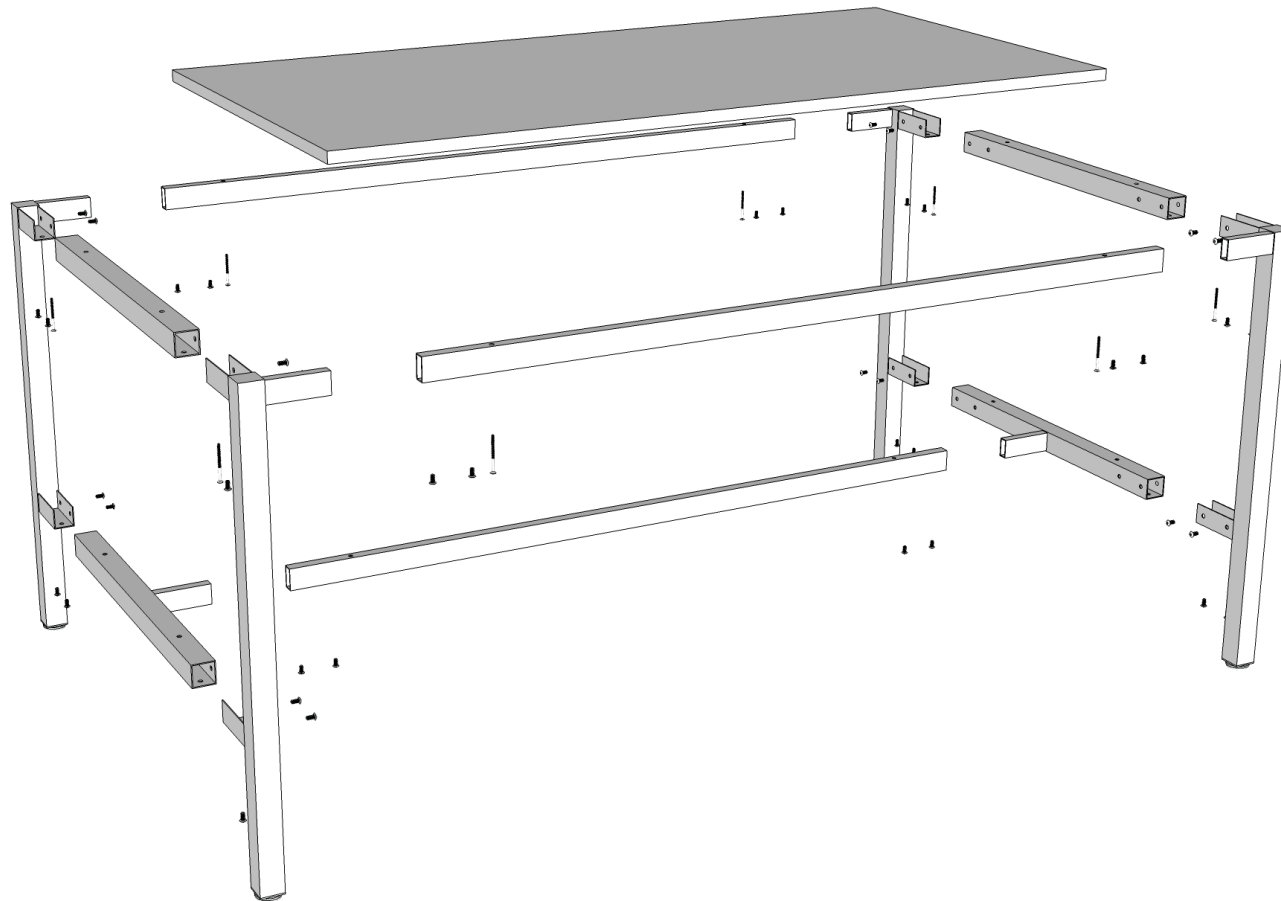
# Axis Bar Leaner

## Installation Guide

\* To prevent possible scratches or damage, assemble the desk/table on a soft surface such as a blanket, carpet or packaging.

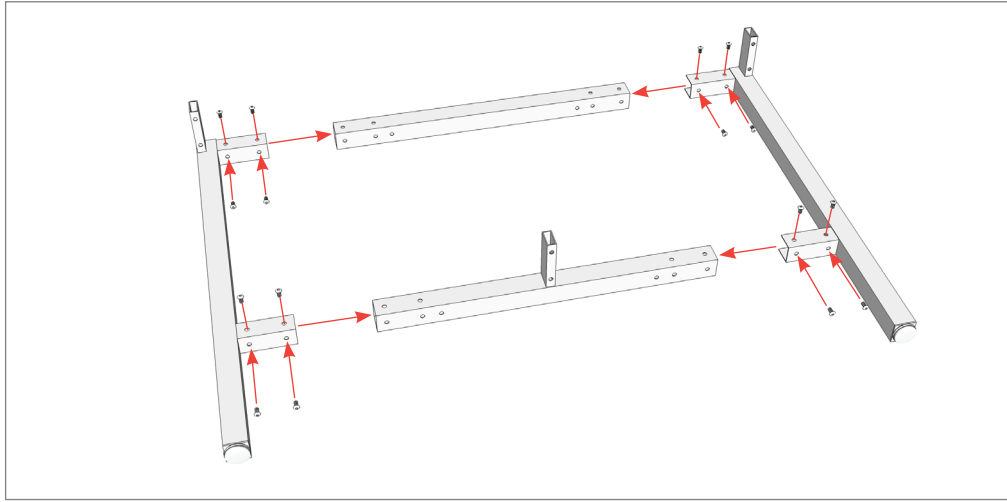


Recommended  
2-person Step

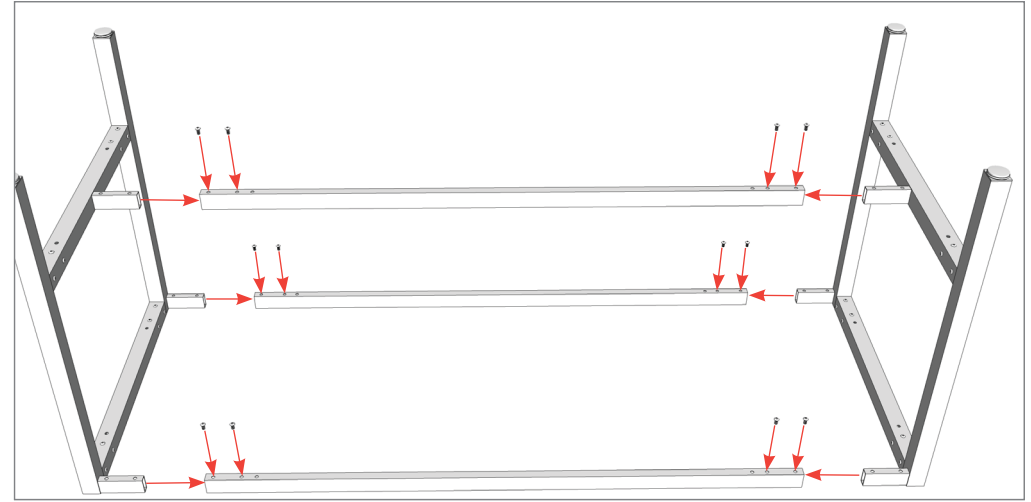


# Axis Bar Leaner

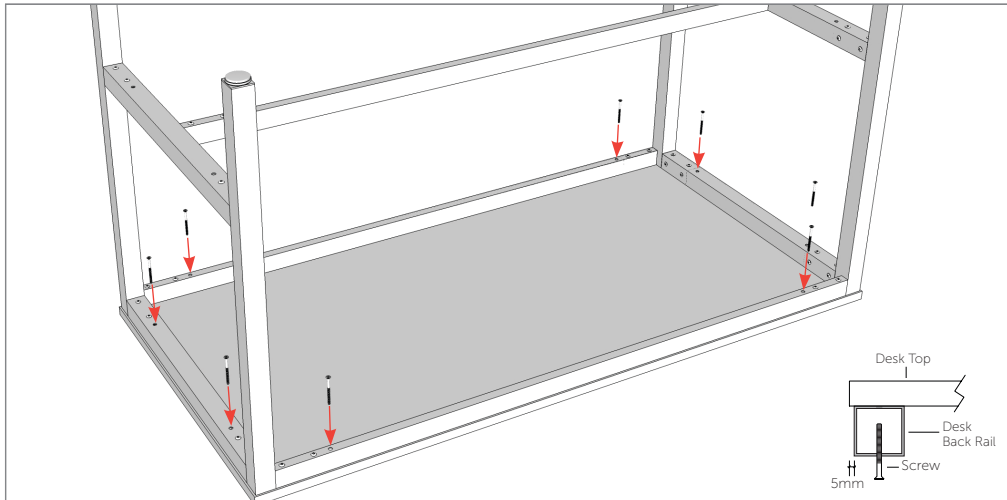
## Installation Guide



**STEP 1:** Assemble corner legs and short rails together and fully tighten with provided screws.



**STEP 2:** Assembly end leg frames and long rails together and fully tighten with provided screws.



**STEP 3:** Pre-drill holes into the worktop, place worktop on a clean, flat surface and fully tighten the worktop to each rail using the provided screws.

