

# *Modulus Flip Tables*

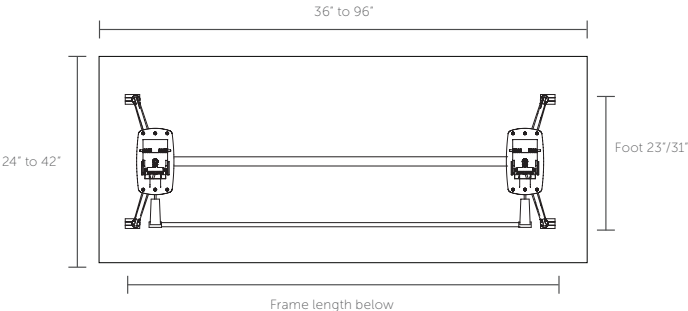
The best office environments are those that create a sense of community & space and support dynamic changes in workplace technologies and evolving work practices.



# MODULUS FLIP TABLES



## MODULUS FLIP SIZE GUIDE



Total Frame Length	
CA-FWFLRAIL50	= 32"
CA-FWFLRAIL80	= 43"
CA-FWFLRAIL110	= 65"
CA-FWFLRAIL140	= 67"



**STANDARD FEATURES**

- White or black powdercoat posts, rail & pullbars, polished cast alloy feet, silver castors
- ANSI-BIFMA approved for commercial use
- White worksurfaces are in stock, other finish options are available
- PVC Modesty Panels come in white & silver, 53" wide and 62" wide

**STANDARD FRAME SIZES ACCOMMODATE WORKSURFACE OF**

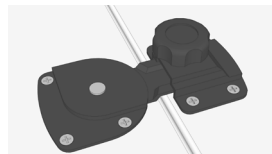
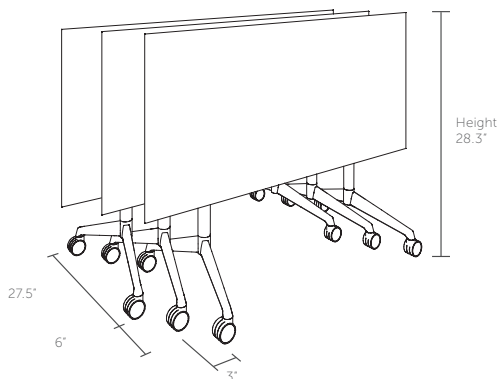
36" - 96" length x 24" - 42" width



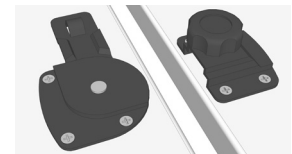
Large Black Pole and Rails



Large White Pole and Rails



Steel Table Link Locked



Steel Table Link Unlocked



TORONTO +416 441 9898

**WORKSPACE** 



**ANVIL**



**AXIS**



**STORAGE  
& RECEPTION**



**MODULUS**



**MODULUS  
FLIP**



**UNI FLIP**



**ACCESSORIES**