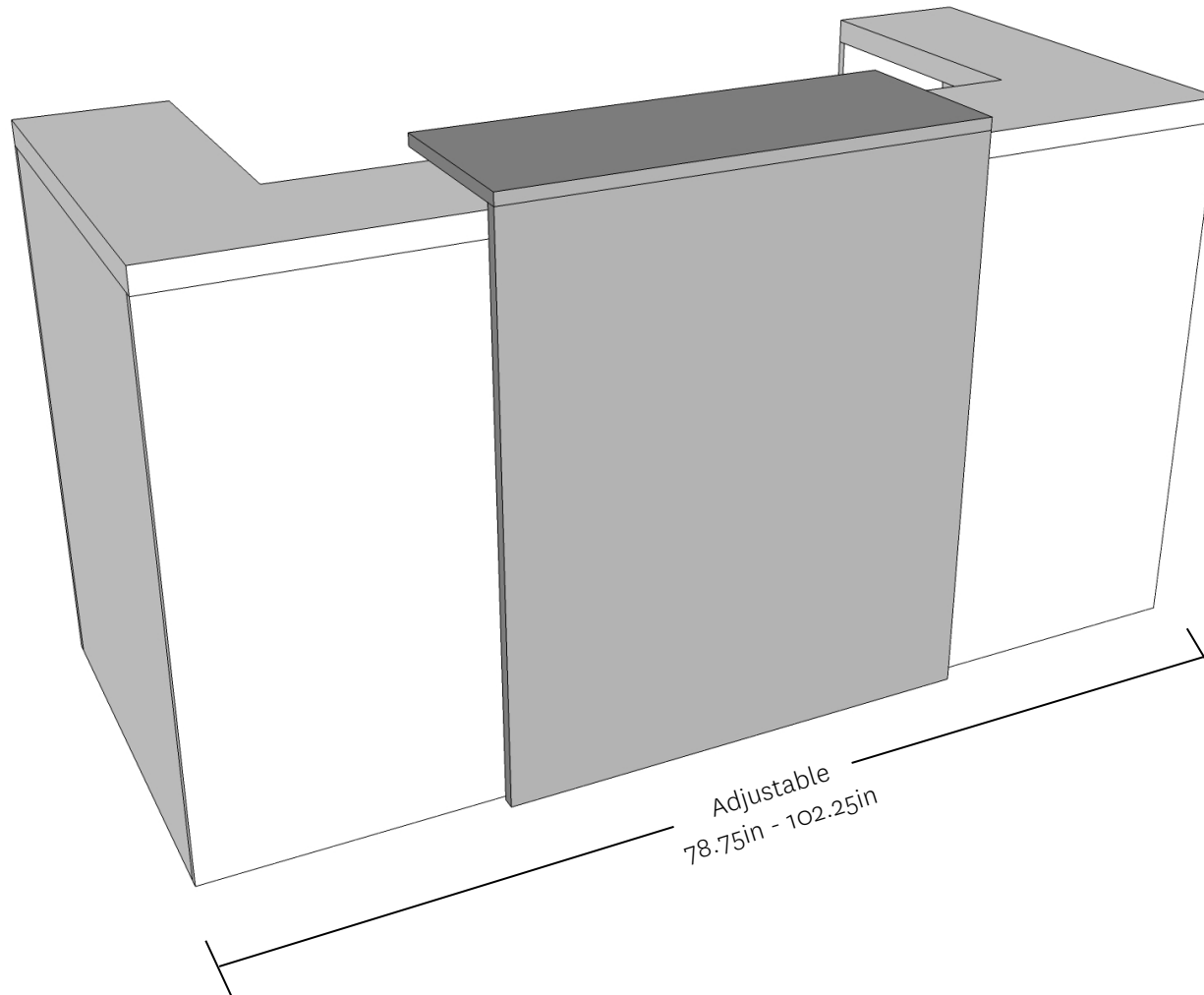


# Anvil Reception Counter

## Installation Guide

---

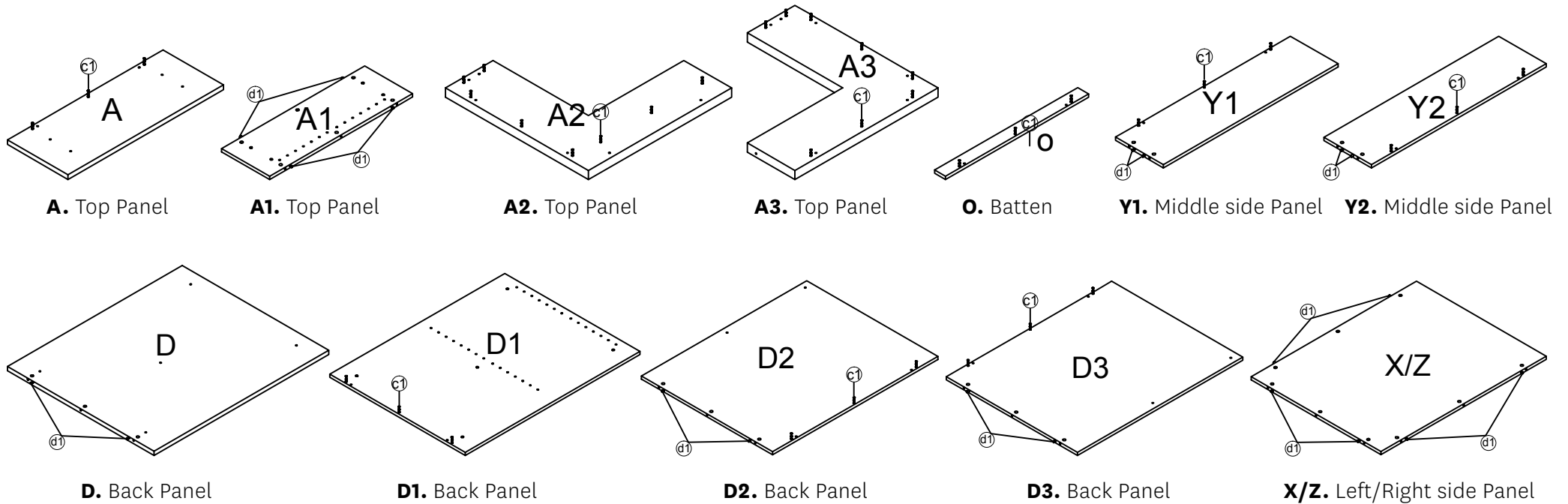
**TOOLS REQUIRED:** Power drill



# ANVIL RECEPTION COUNTER

## Installation Guide

### PARTS



### Pre-installed parts



c5 Cam



c1 6\*35 Cam Bolt-37



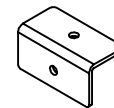
d1 8\*30 Dowel Pin-26



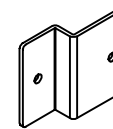
c2 (1/2") Cam Cover-46



s1 6\*12 Screw-12



p1 Bracket-2



p2 Bracket-4

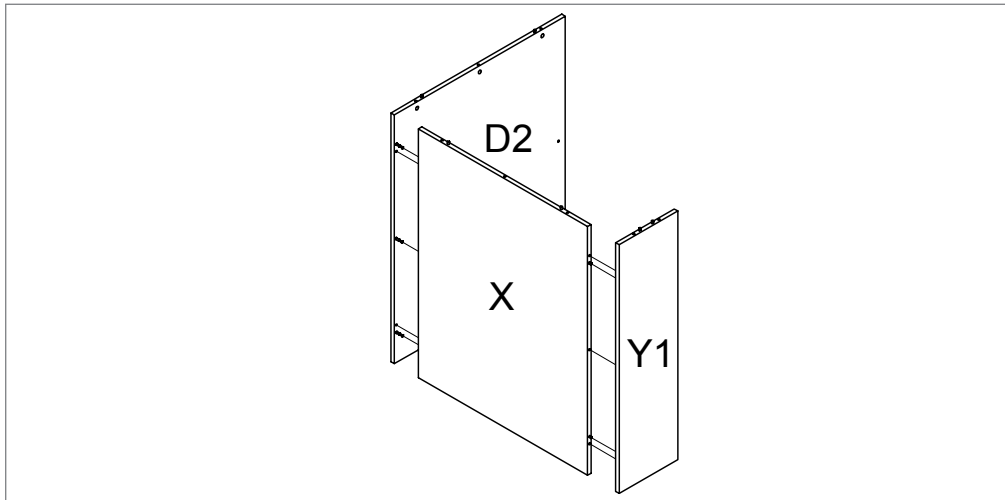
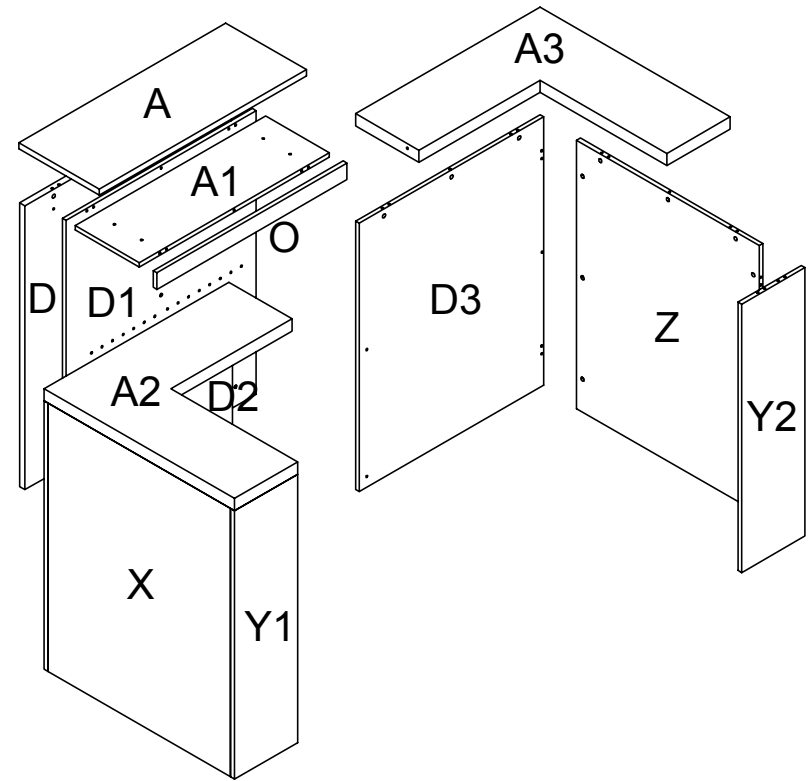
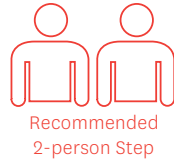


s2 6\*25 Screw-9

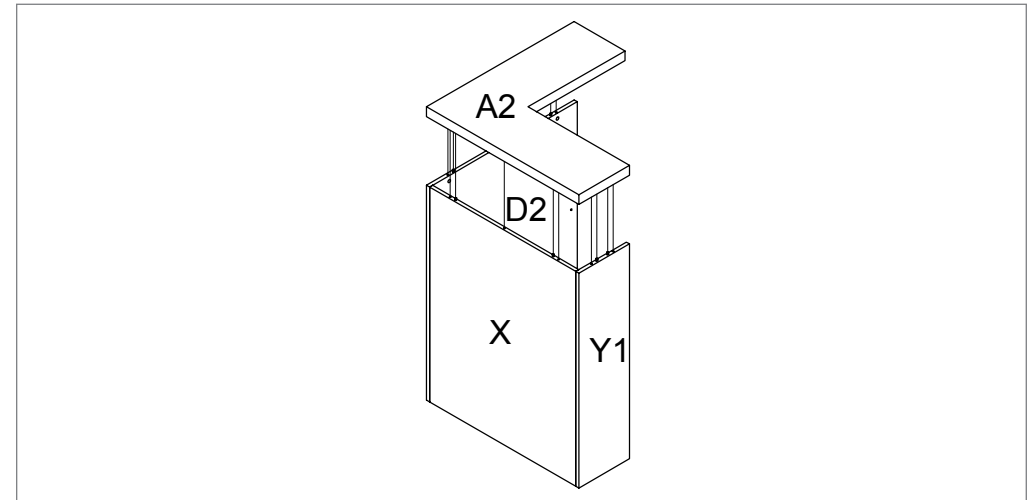
# ANVIL RECEPTION COUNTER

## Installation Guide

\* To prevent possible scratches or damage, assemble the reception on a soft surface such as a blanket, carpet or packaging.



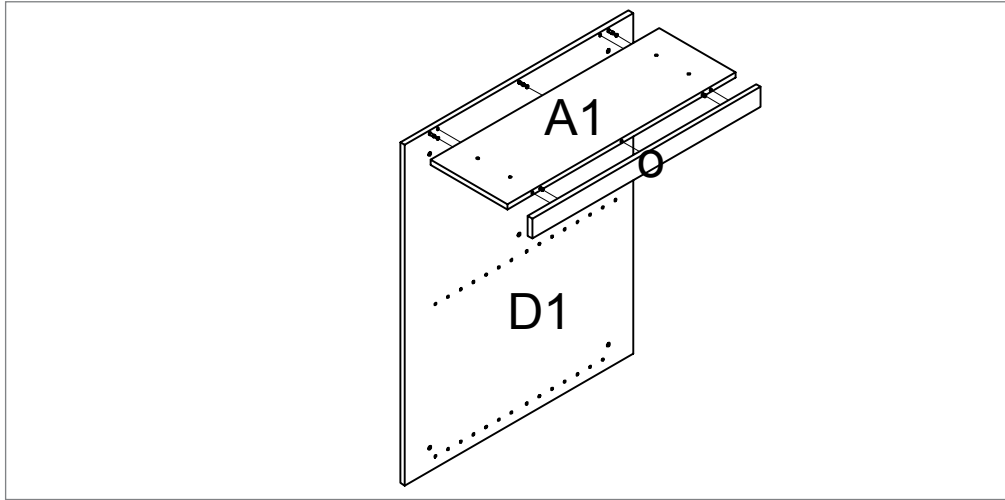
STEP 1



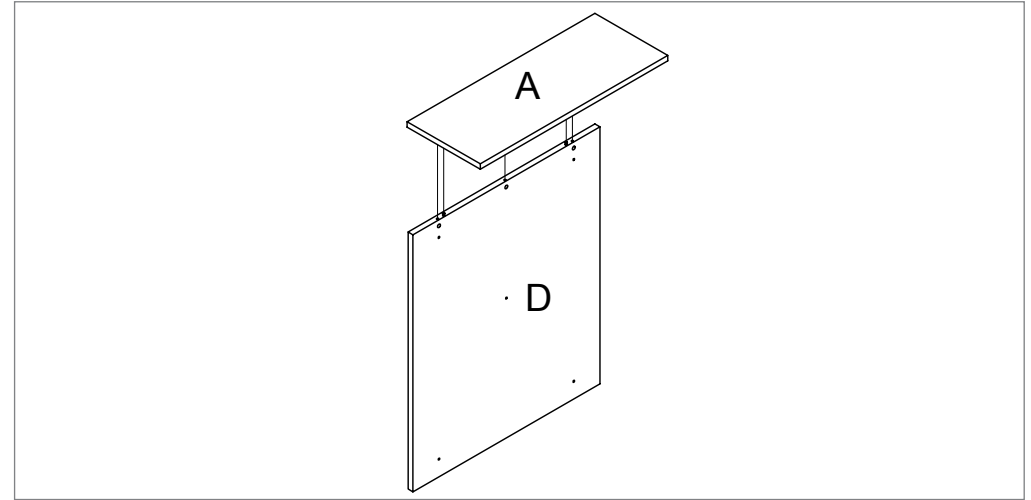
STEP 2

# ANVIL RECEPTION COUNTER

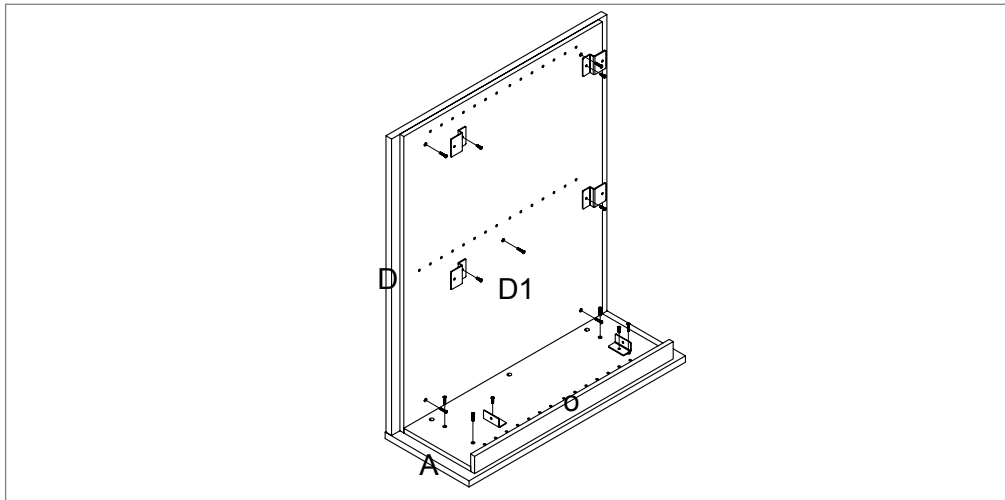
## Installation Guide



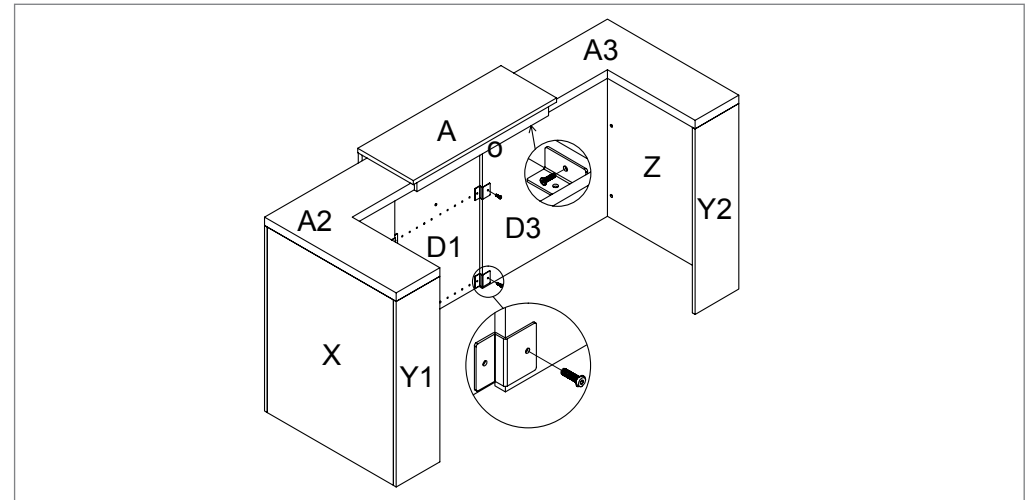
STEP 3



STEP 4



STEP 5



STEP 6