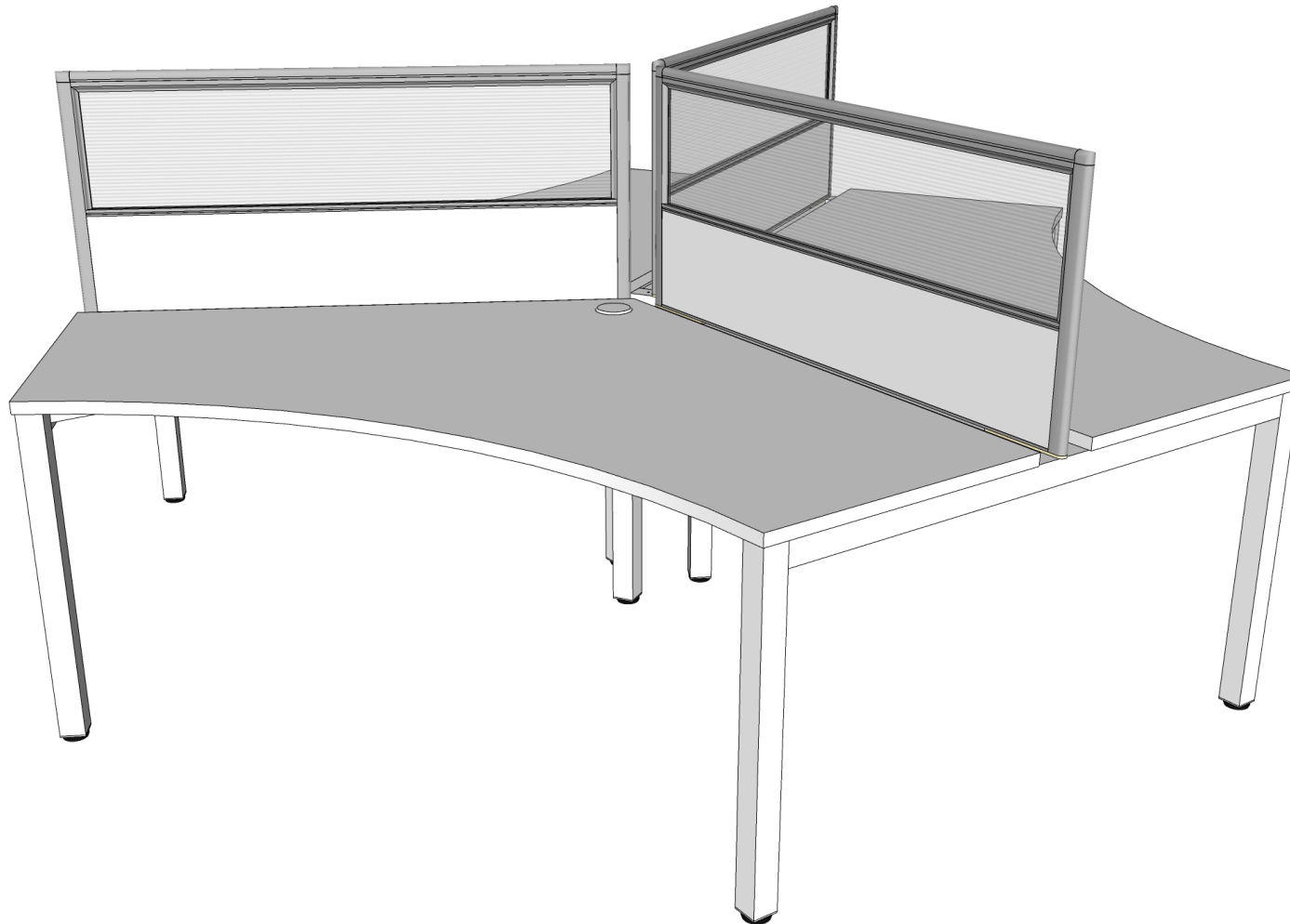


Axis System 120°

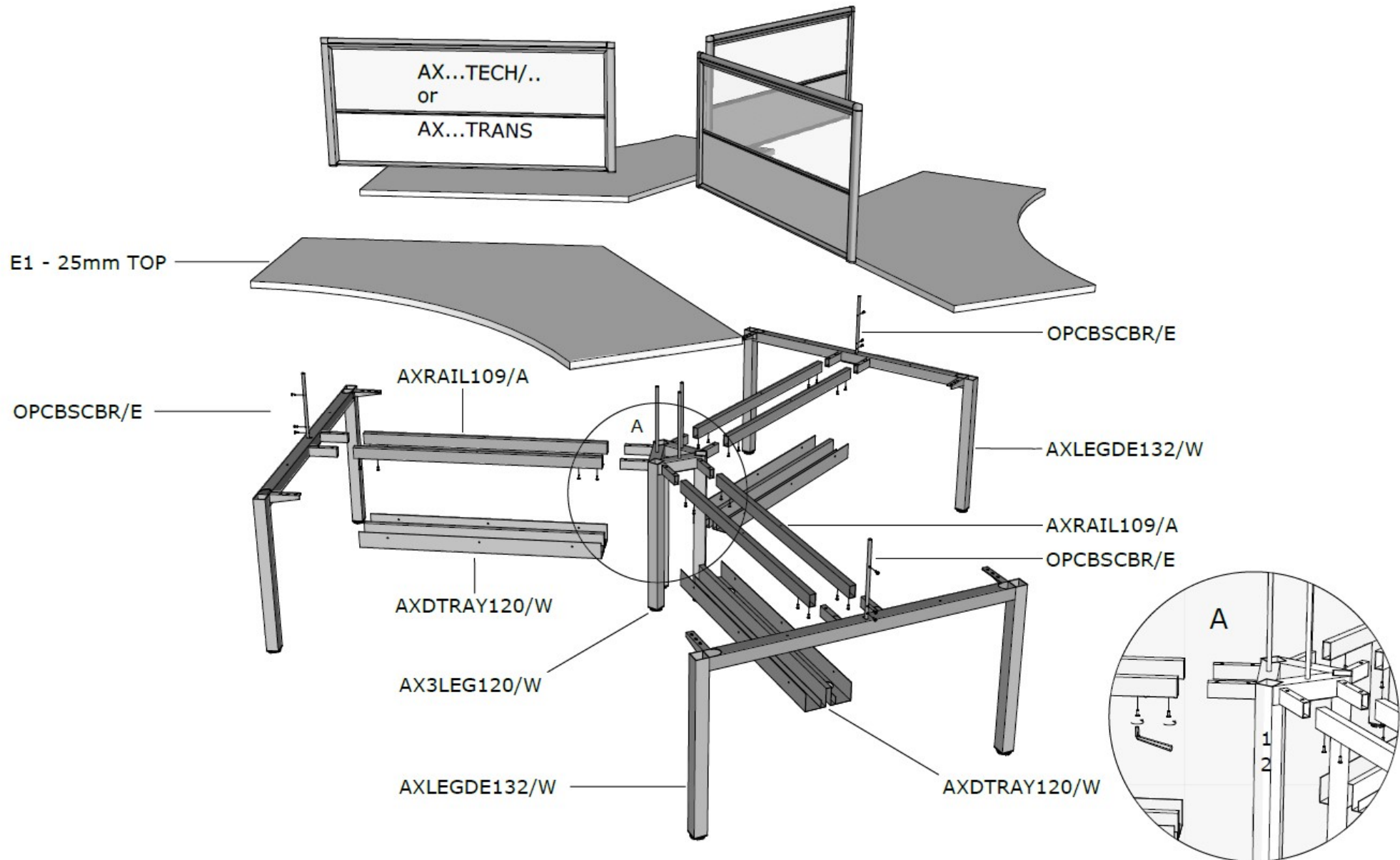
Installation Guide

TOOLS REQUIRED: Power drill, rubber mallet



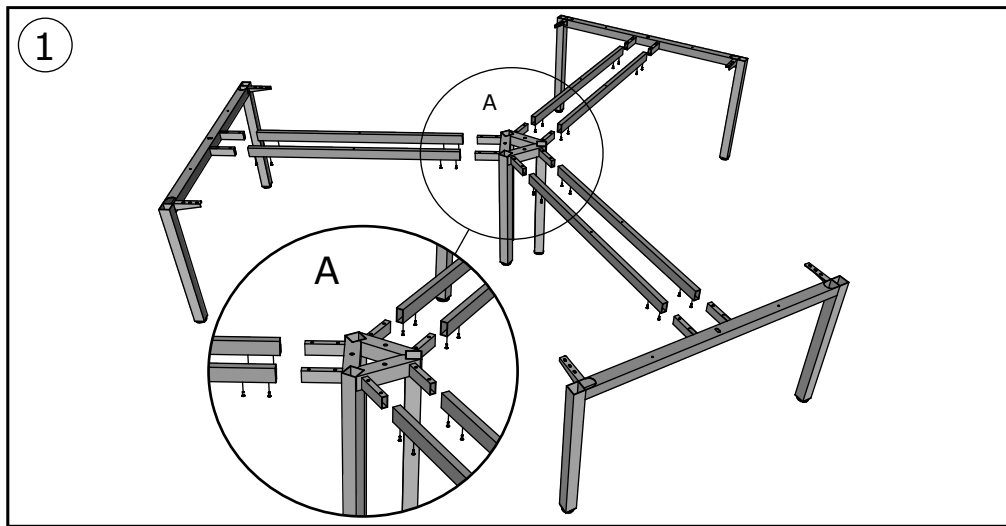
AXIS SYSTEM 120°

Installation Guide

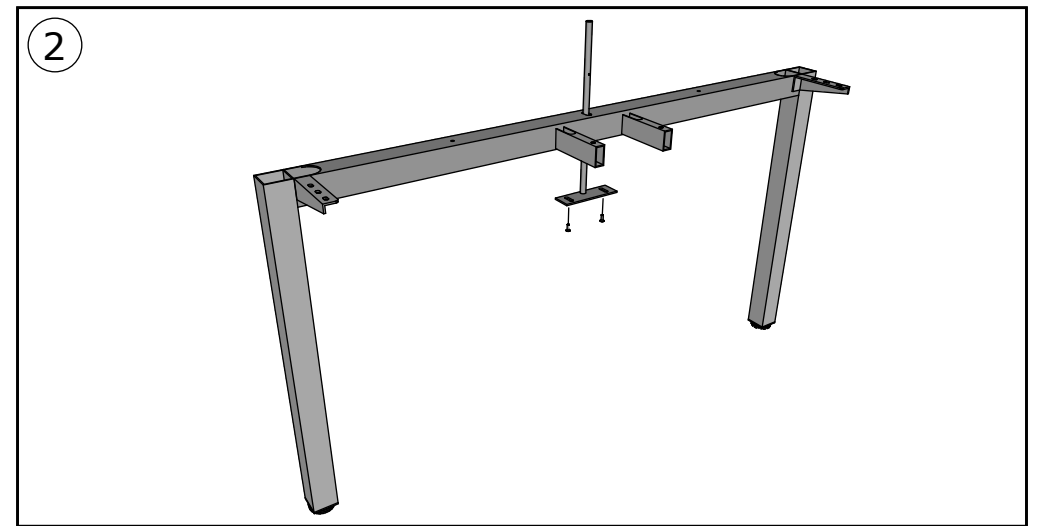


AXIS SYSTEM 120°

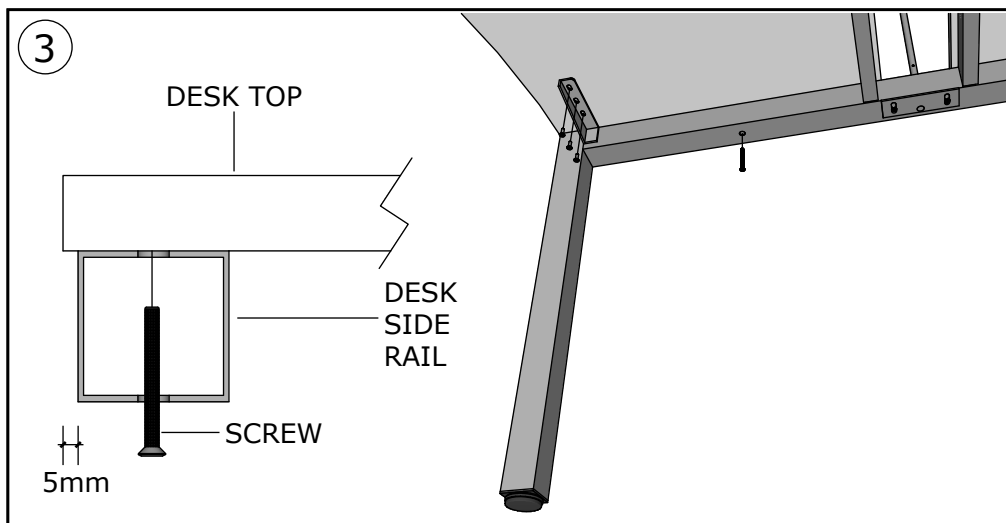
Installation Guide



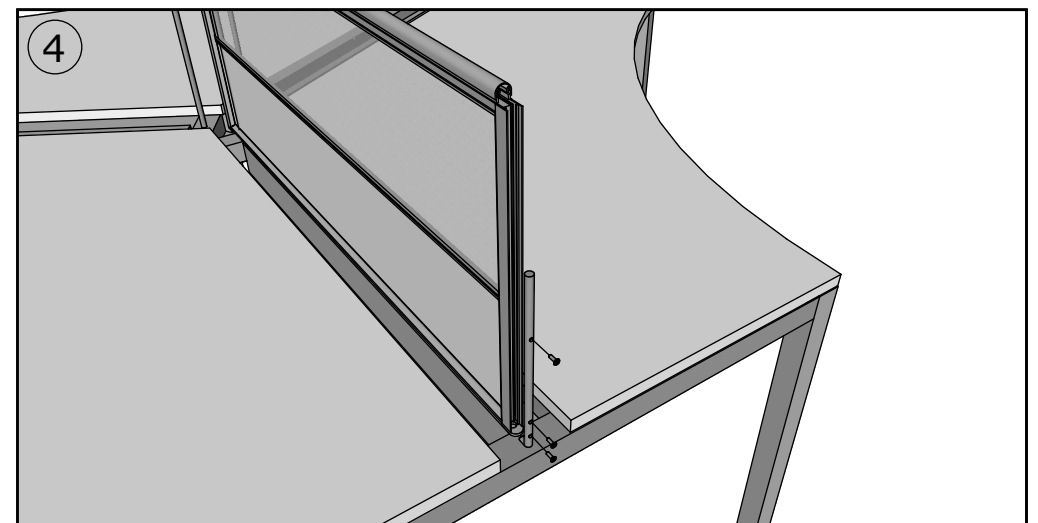
Assemble frames & rails together, loosely (1 turn from tight).



Assemble screen brackets to frame, loosely (1 turn from tight).



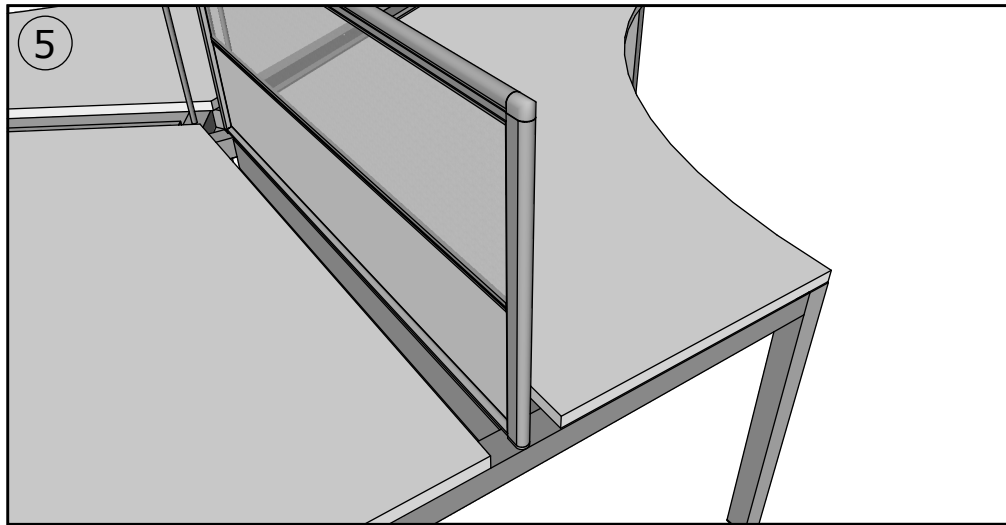
Fix desk top with 5mm overhang over metal frame. Where desktops butt together, make sure these are fitted tight together.



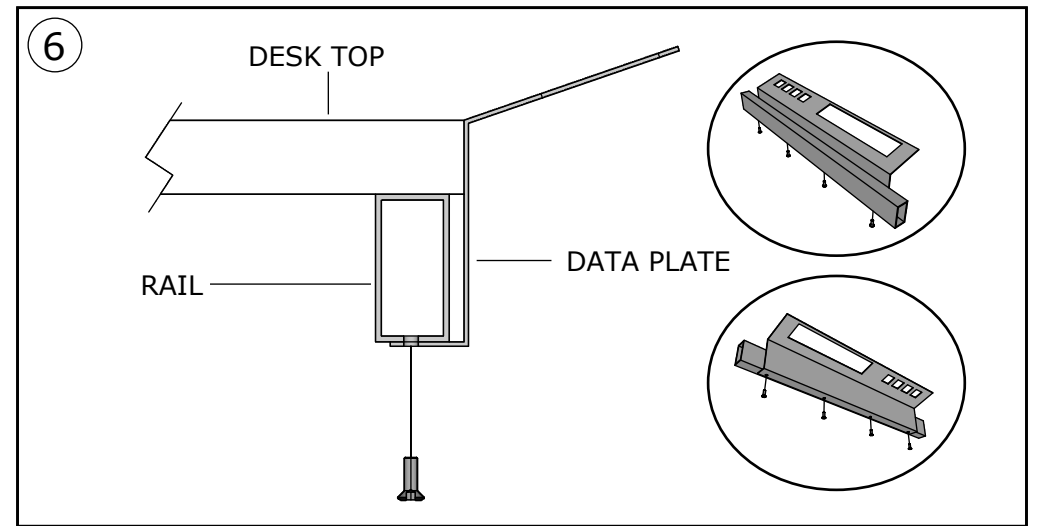
Carefully remove end seal on screen & fit screen between end brackets & screw self tappers to fix screen tightly.

AXIS SYSTEM 120°

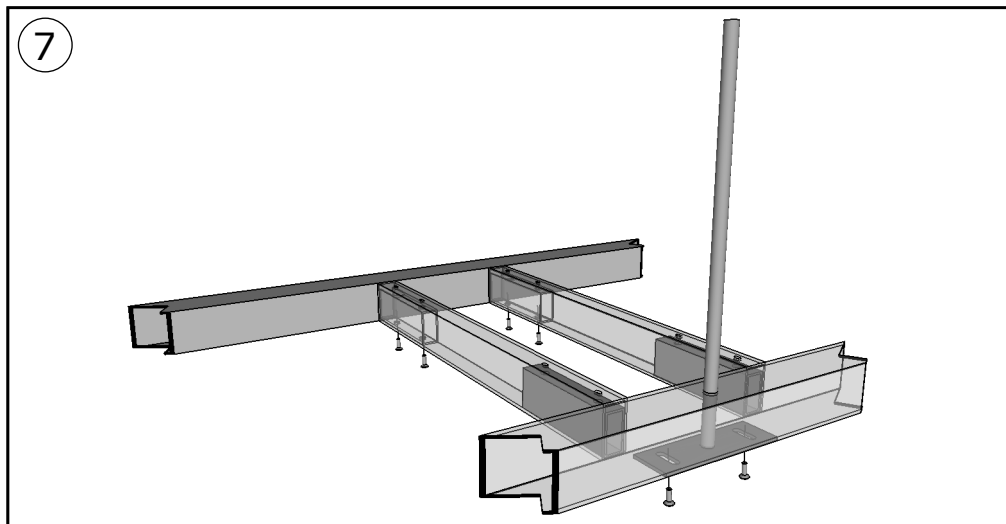
Installation Guide



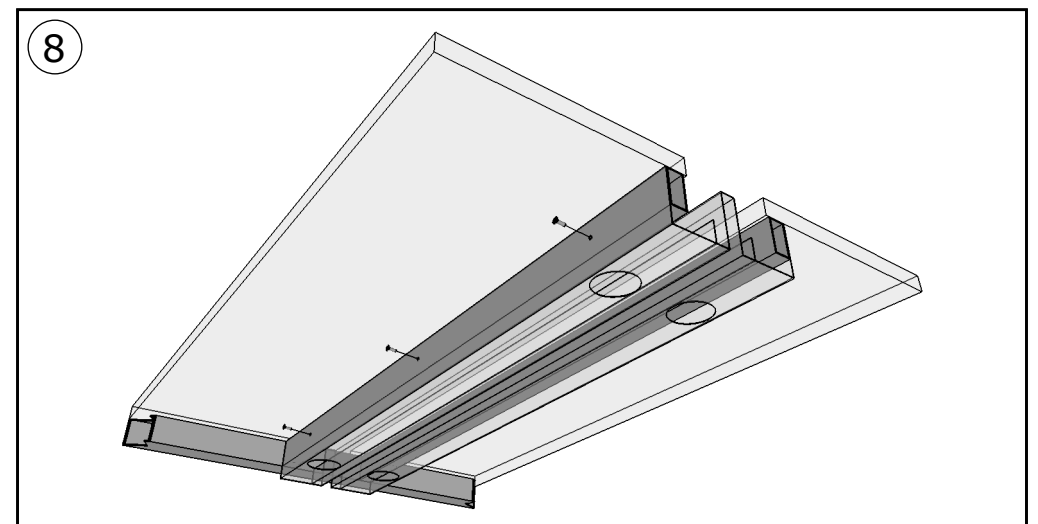
Attach screen end seals with soft non-marking mallet.



Fit data rails with screws into rails.



Fully tighten all rails to frame screws, & then screen bracket screws.



Attach cable trays with screws provided.